

[54] FISHING LURE

[76] Inventor: James R. Cope, 10500 Cherokee La., Leawood, Kans. 66206

[\*\*] Term: 14 Years

[21] Appl. No.: 119,678

[22] Filed: Feb. 8, 1980

[51] Int. Cl. .... D22-05

[52] U.S. Cl. .... D22/28; D22/30

[58] Field of Search ..... 43/42.06, 42.11, 42.12, 43/42.17, 42.18, 42.19, 42.28, 42.31, 42.32, 42.33, 42.34, 42.35, 42.36, 42.45, 42.47, 42.48, 17.5, 17.6; D22/27, 28, 30

[56] References Cited

U.S. PATENT DOCUMENTS

- D. 127,178 5/1941 Weidenmier ..... D22/28
- D. 150,110 7/1948 Cole ..... D22/28

- D. 193,008 6/1962 Bradberry ..... D22/27
- 2,897,623 8/1959 Flournoy ..... D22/27 X
- 2,988,840 6/1961 Seigle ..... D22/30 X

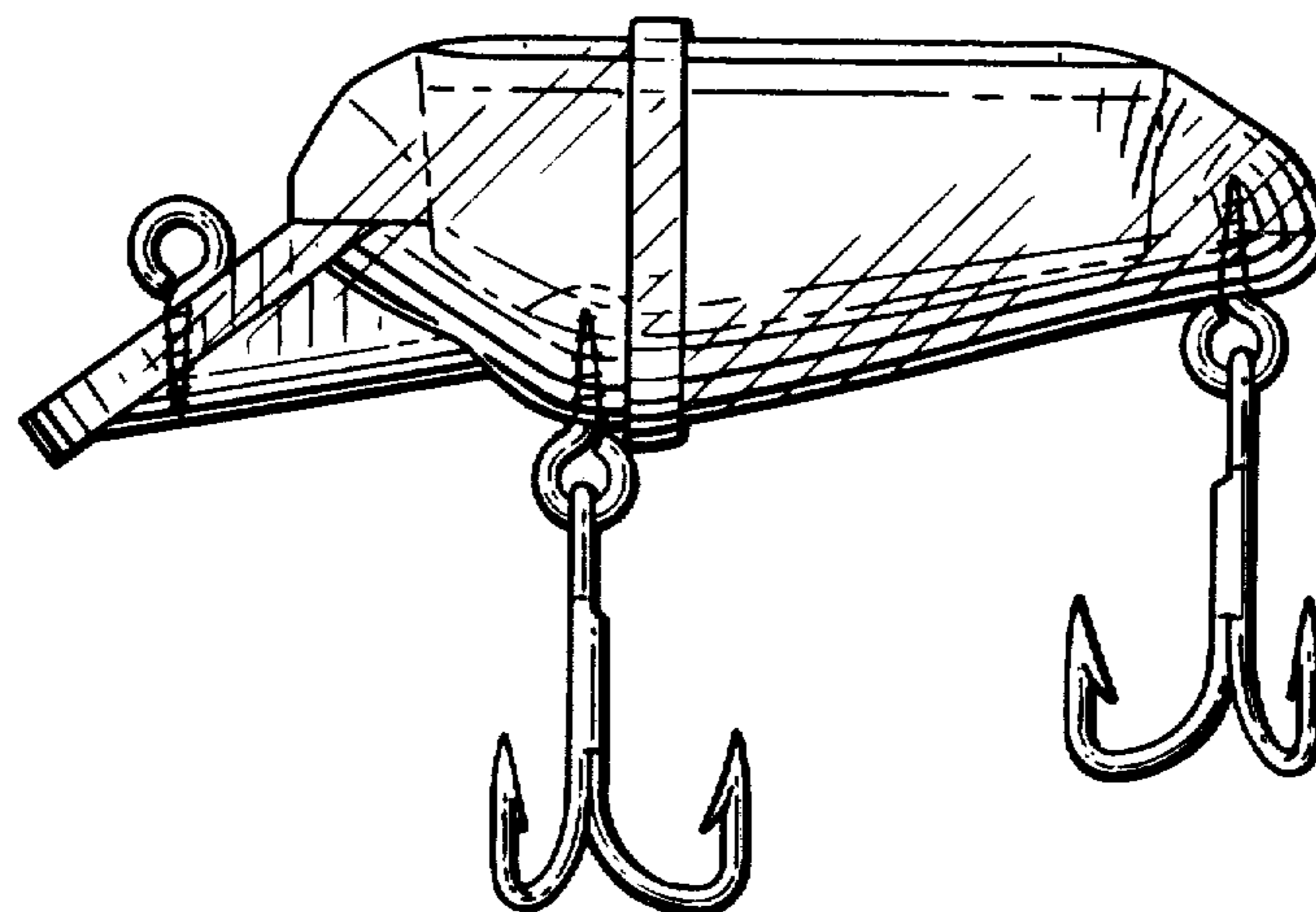
Primary Examiner—A. Hugo Word  
Attorney, Agent, or Firm—Schmidt, Johnson, Hovey & Williams

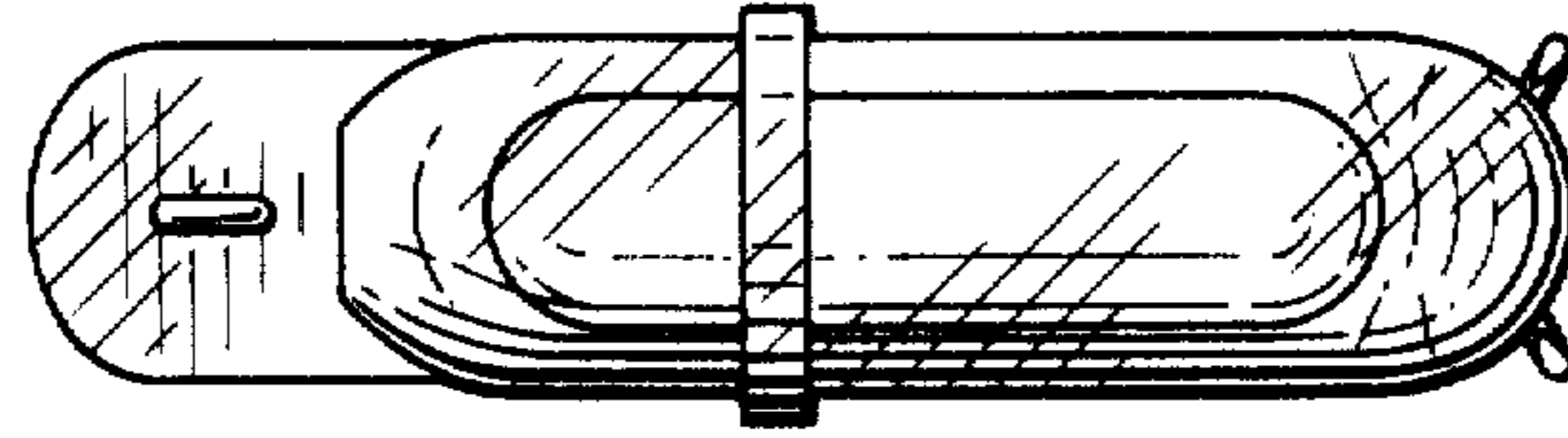
[57] CLAIM

The ornamental design for a fishing lure, as shown and described.

DESCRIPTION

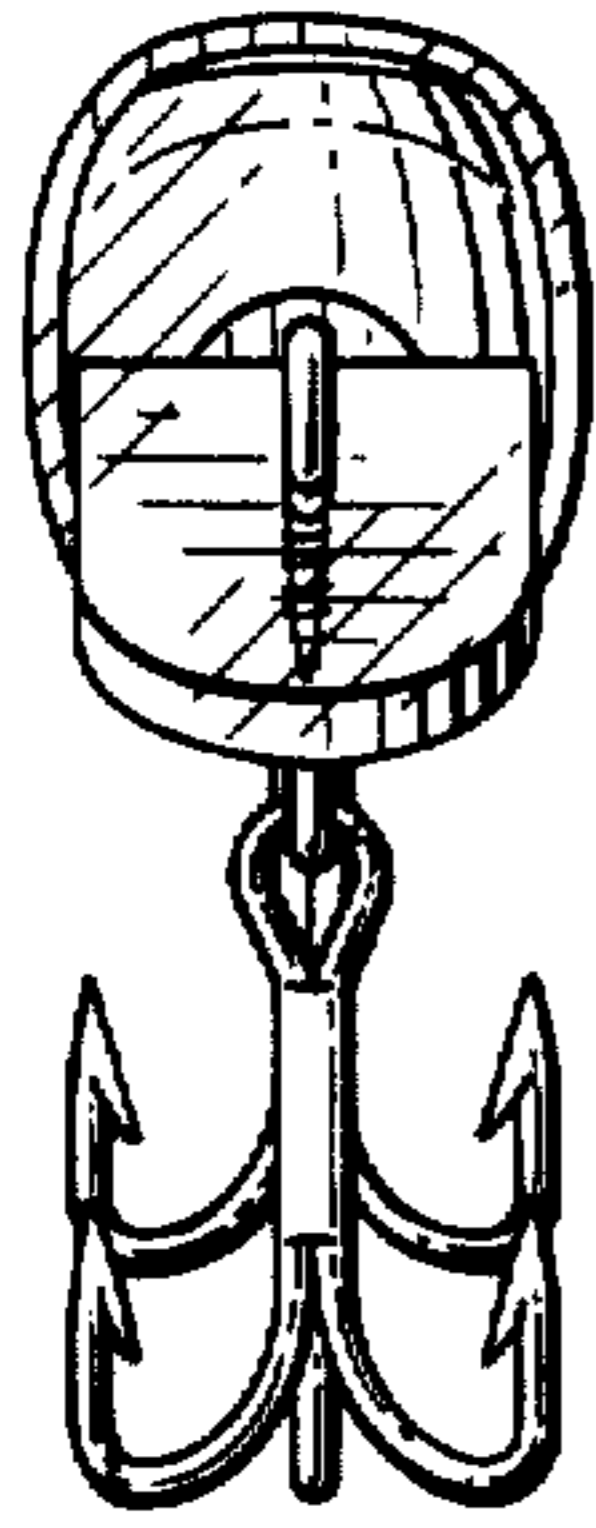
FIG. 1 is a side elevational view of one embodiment of the fishing lure illustrating my design; FIG. 2 is a top plan view thereof; FIG. 3 is a front elevational view; FIG. 4 is a rear elevational view; FIG. 5 is a bottom plan view; and FIG. 6 is a side elevational view of another embodiment of the fishing lure.



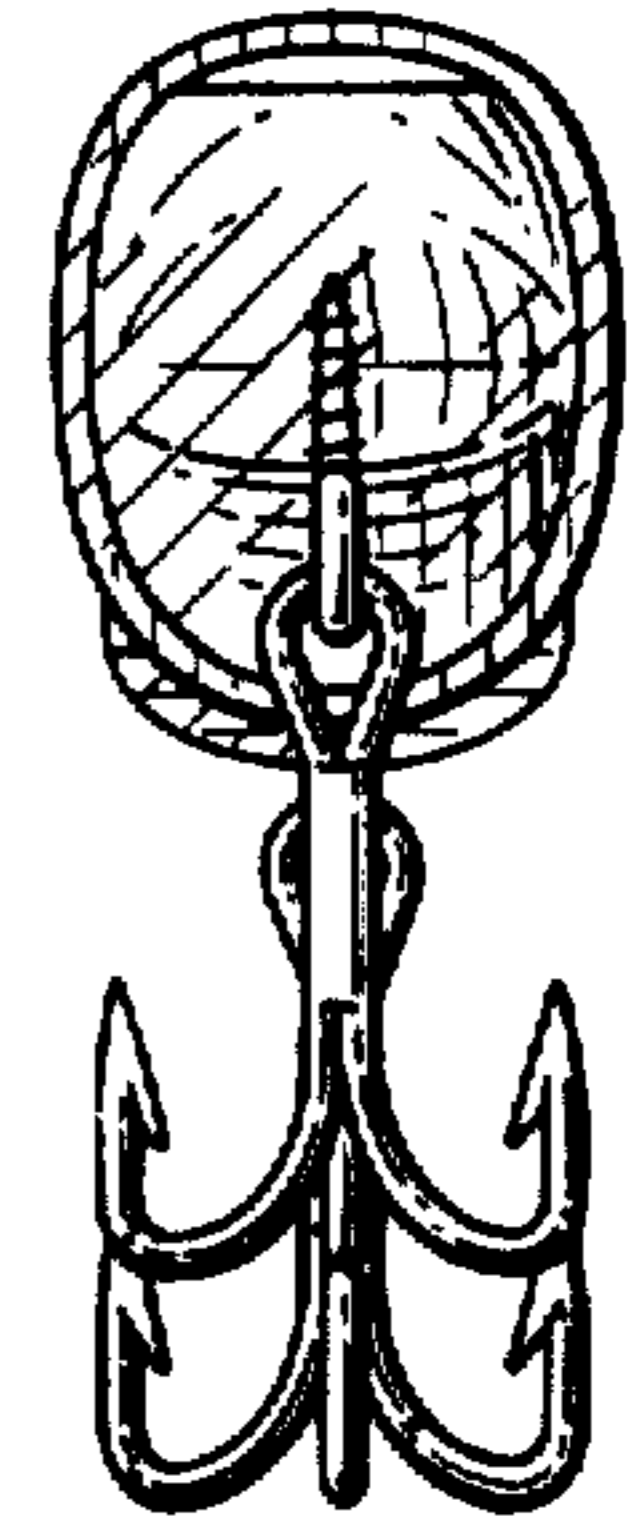
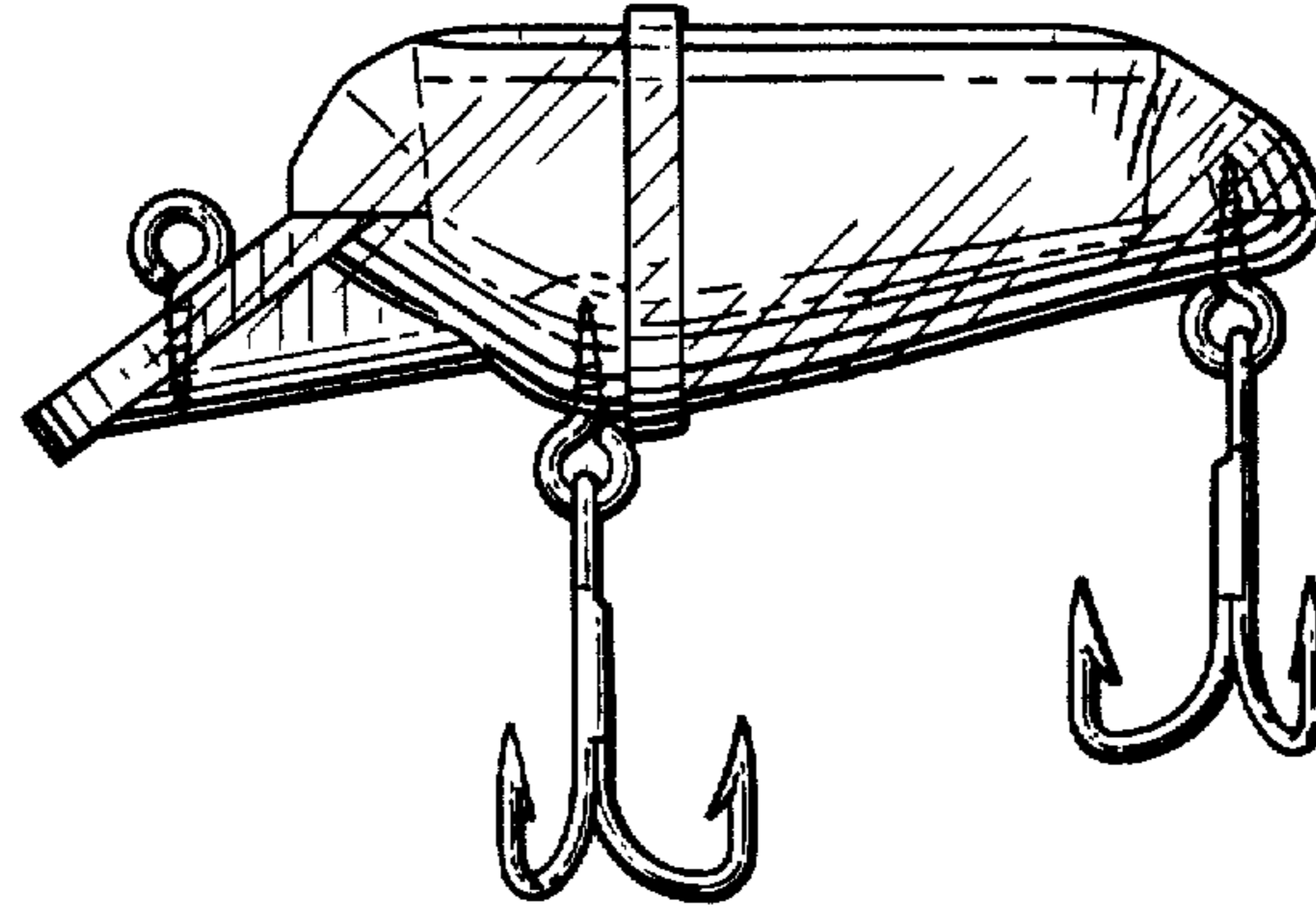


*Fig. 2.*

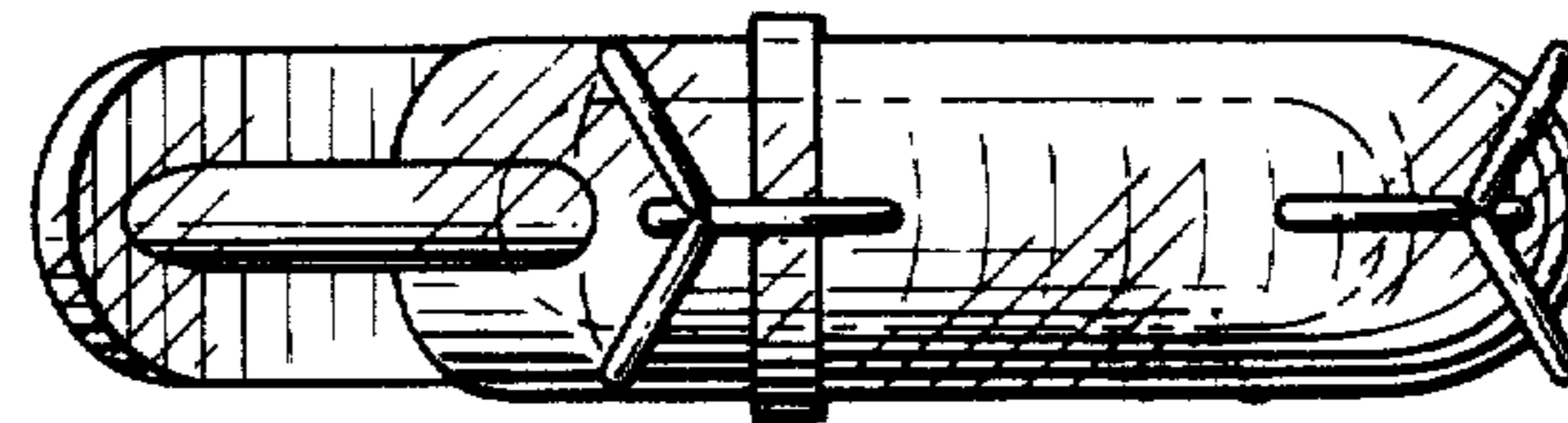
*Fig. 1.*



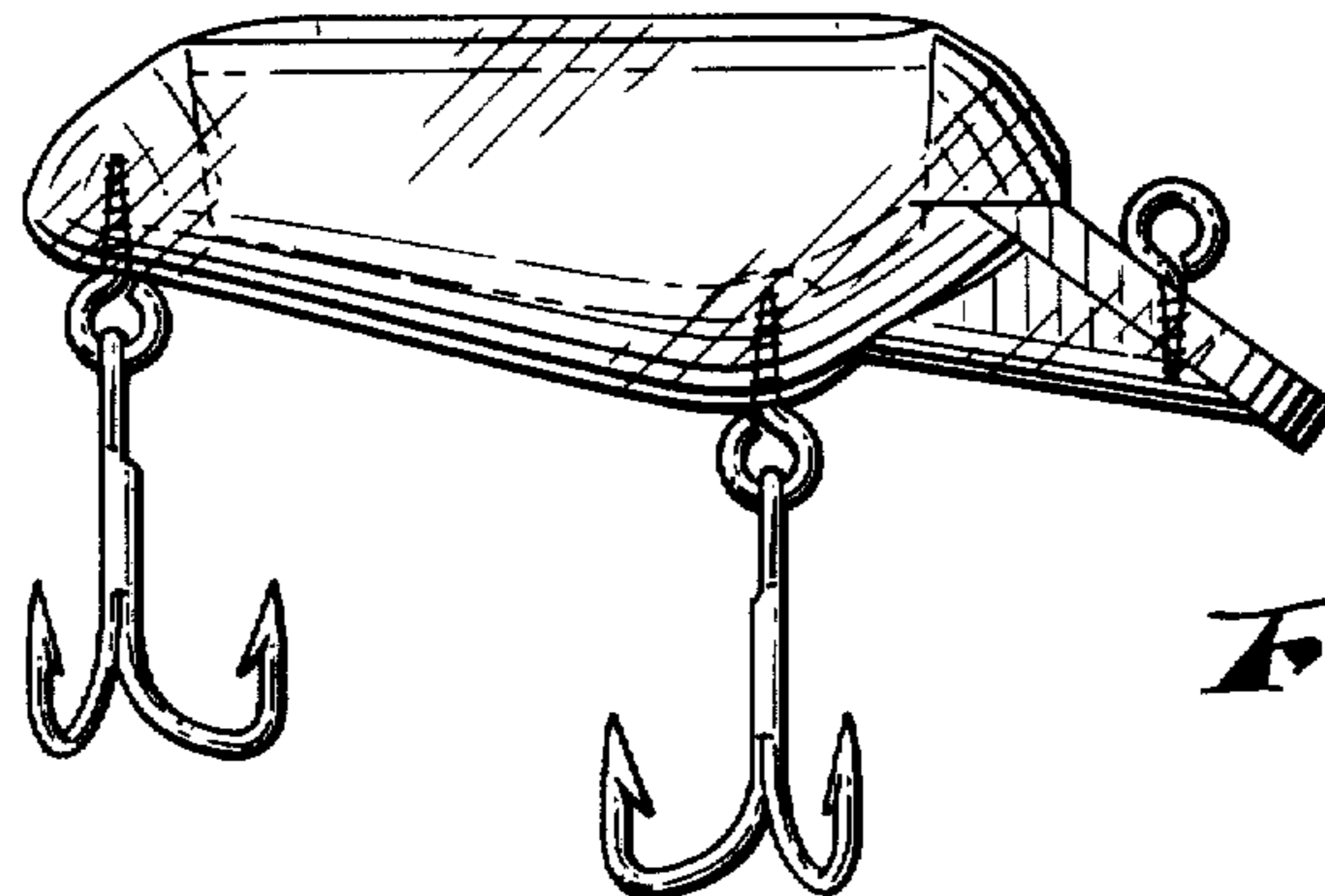
*Fig. 3.*



*Fig. 4.*



*Fig. 5.*



*Fig. 6.*