

[54] TOY WHIRLER OR SIMILAR ARTICLE

[76] Inventor: Edward C. Anderson, 6750 School St., Apt. 306, Des Moines, Iowa 50311

[**] Term: 14 Years

[21] Appl. No.: 956,072

[22] Filed: Oct. 30, 1978

[51] Int. Cl. D21-01

[52] U.S. Cl. D21/92

[58] Field of Search D21/82, 87, 88, 92, D21/93, 49, 91; 244/155, 153 A, 154; 46/74 R, 79, 80, 81, 58, 82, 84, 85

[56] References Cited

U.S. PATENT DOCUMENTS

D. 148,698 2/1948 Hanes D21/92

D. 177,798 5/1956 Delaney D21/92
2,667,352 1/1954 Sepersky 46/74 R

FOREIGN PATENT DOCUMENTS

649223 1/1951 United Kingdom 46/79

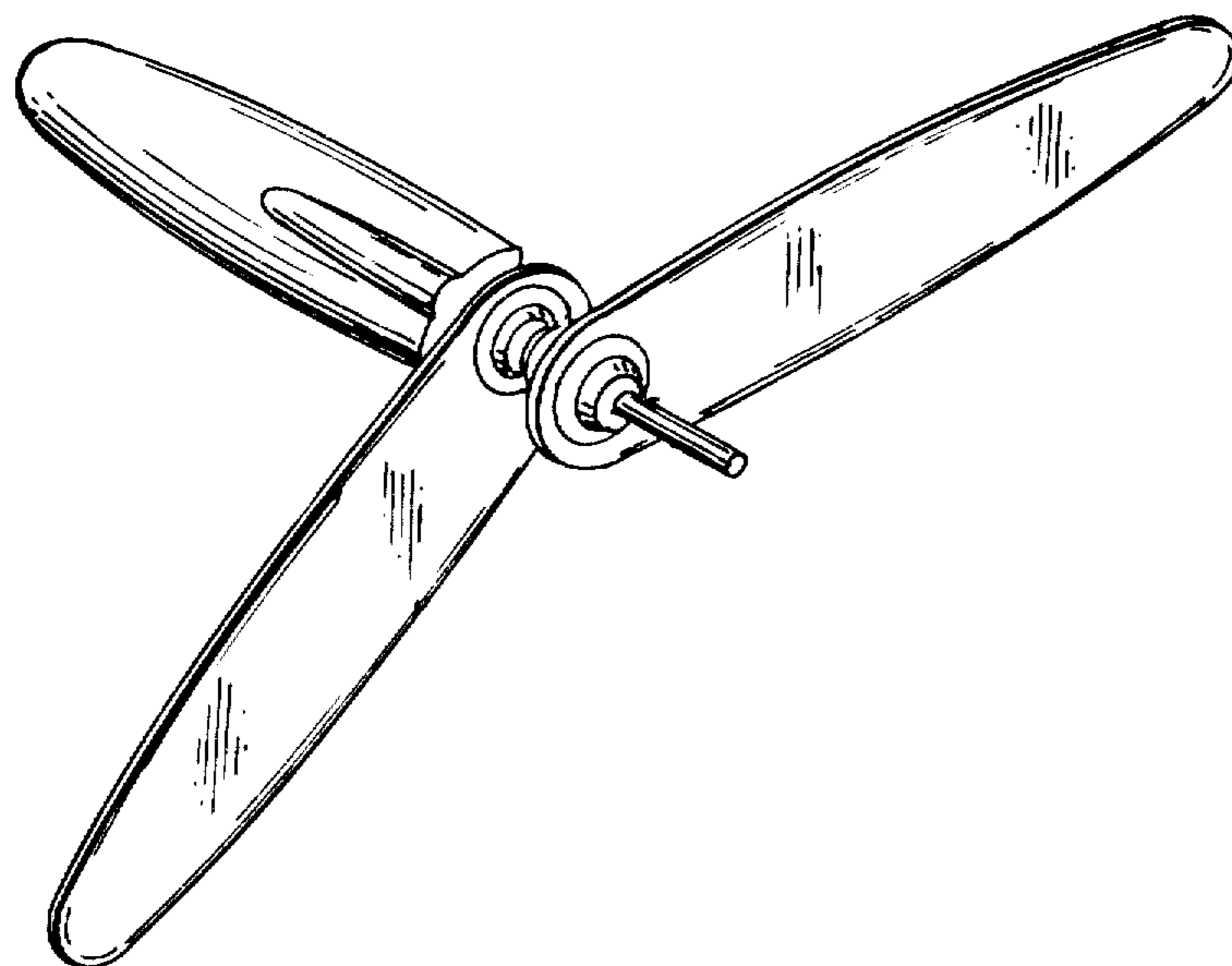
Primary Examiner—Charles A. Rademaker
Attorney, Agent, or Firm—Henderson & Sturm

[57] CLAIM

The ornamental design for a toy whirler or similar article, substantially as shown and described.

DESCRIPTION

FIG. 1 is a perspective view of a toy whirler or similar article showing my new design,
FIG. 2 is a side elevational view thereof;
FIG. 3 is a top plan view thereof;
FIG. 4 is a front elevational view thereof; and
FIG. 5 is a rear elevational view thereof.



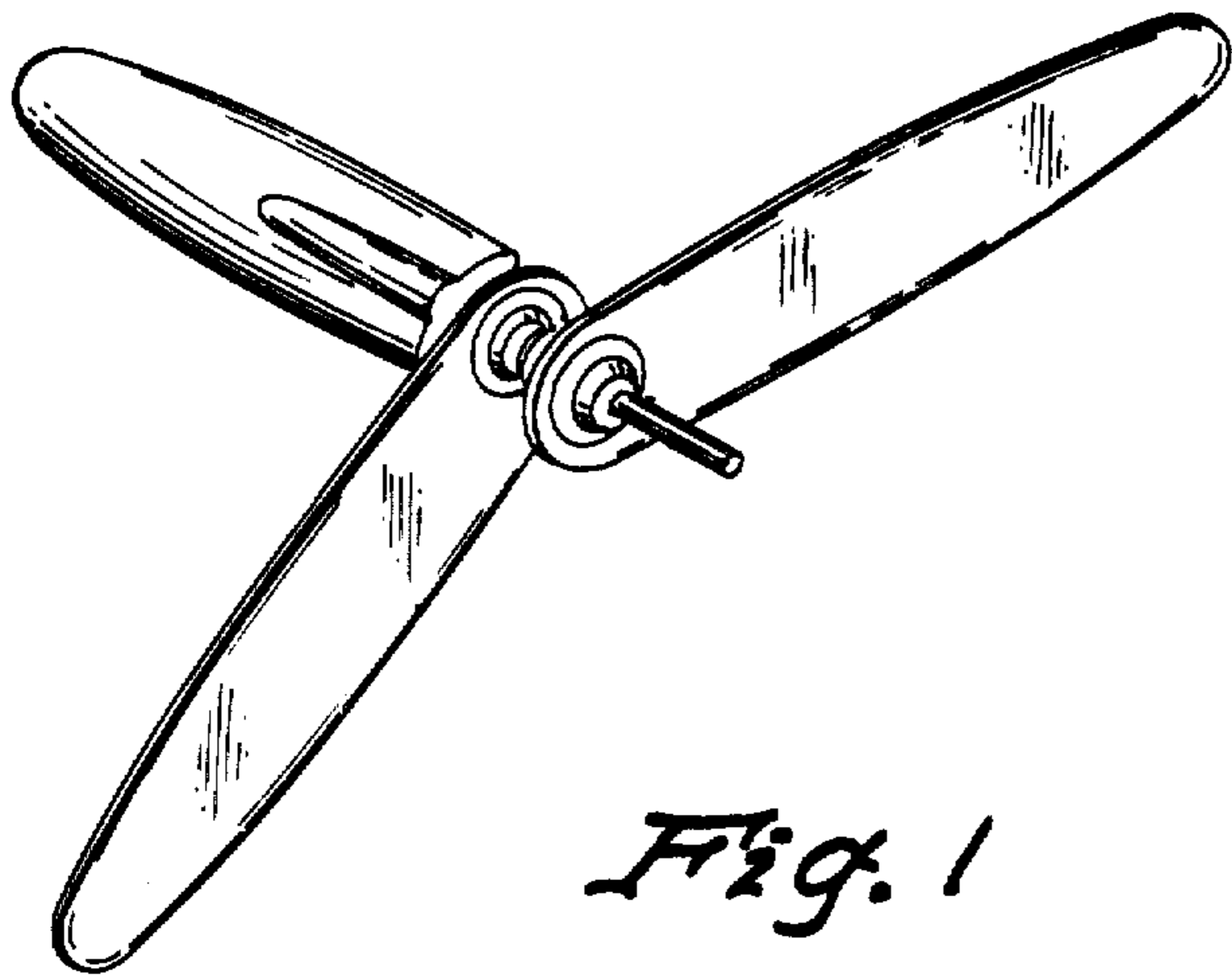


Fig. 1

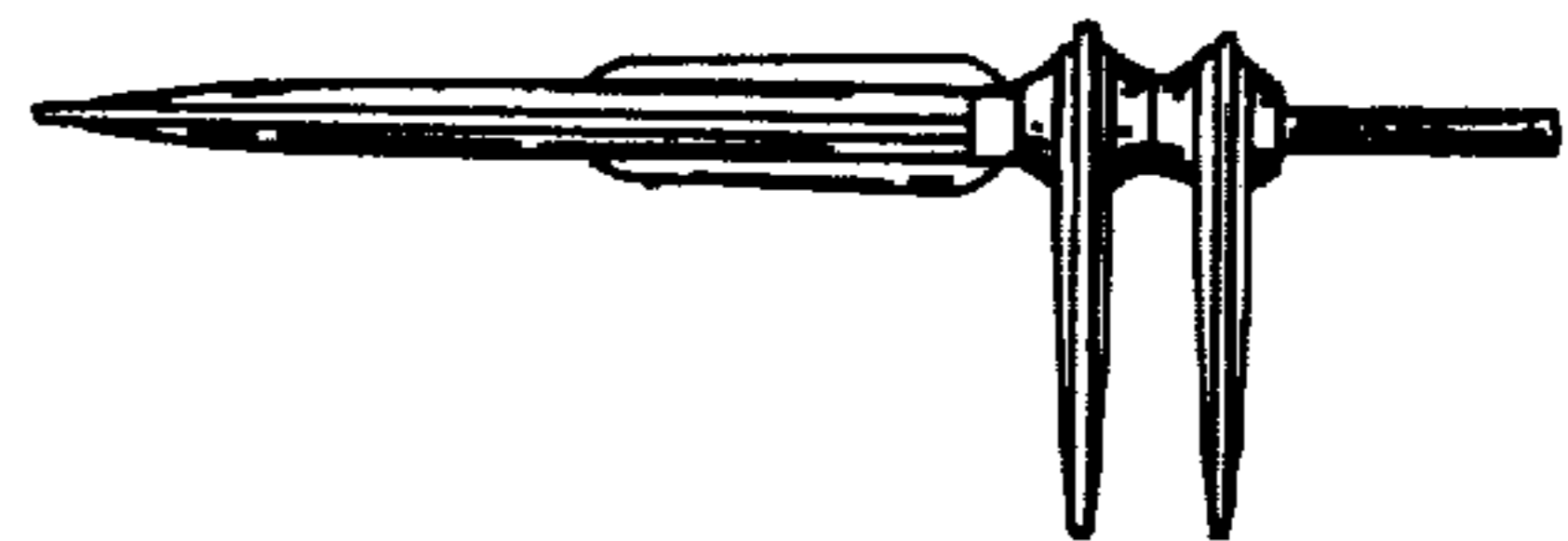


Fig. 2

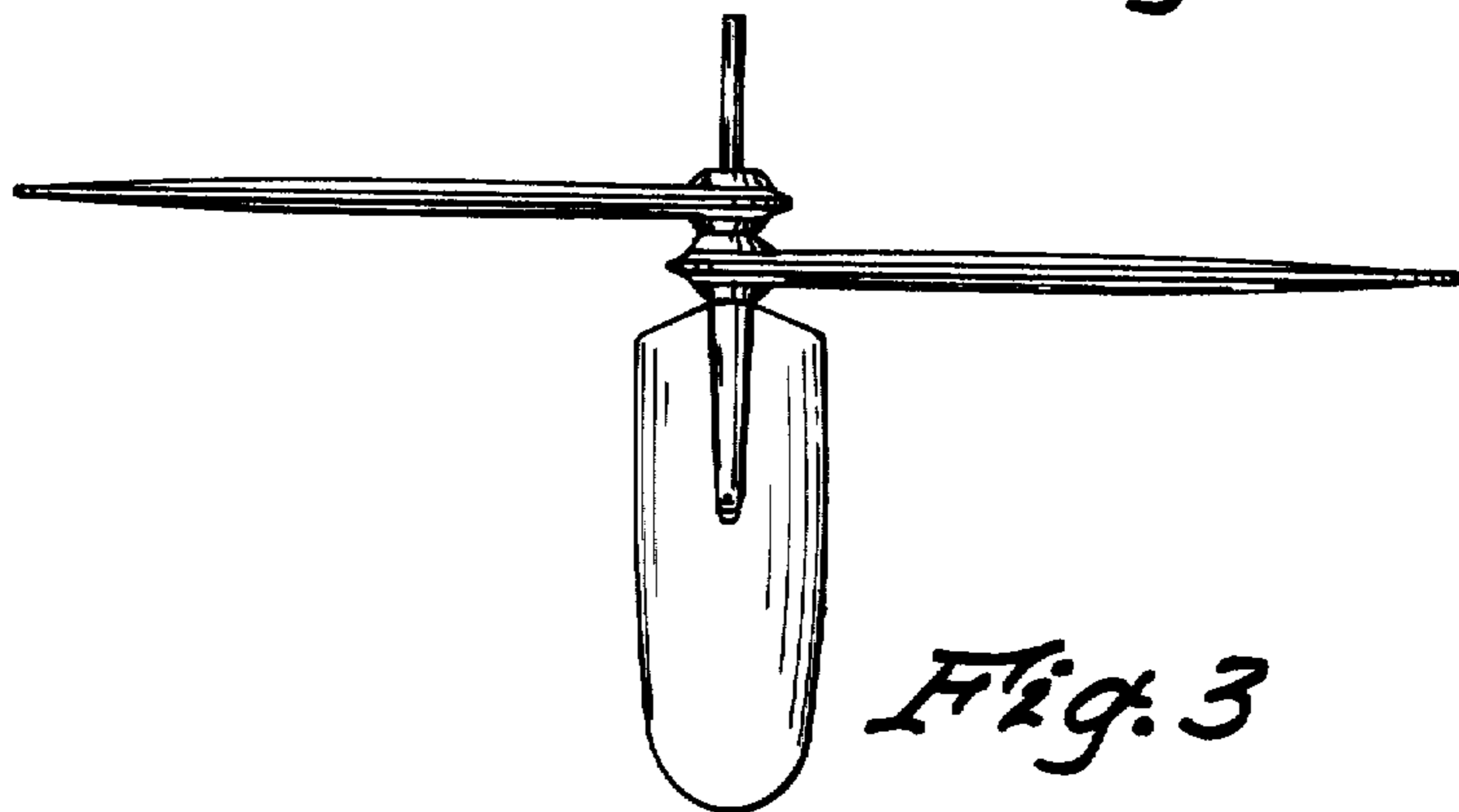


Fig. 3

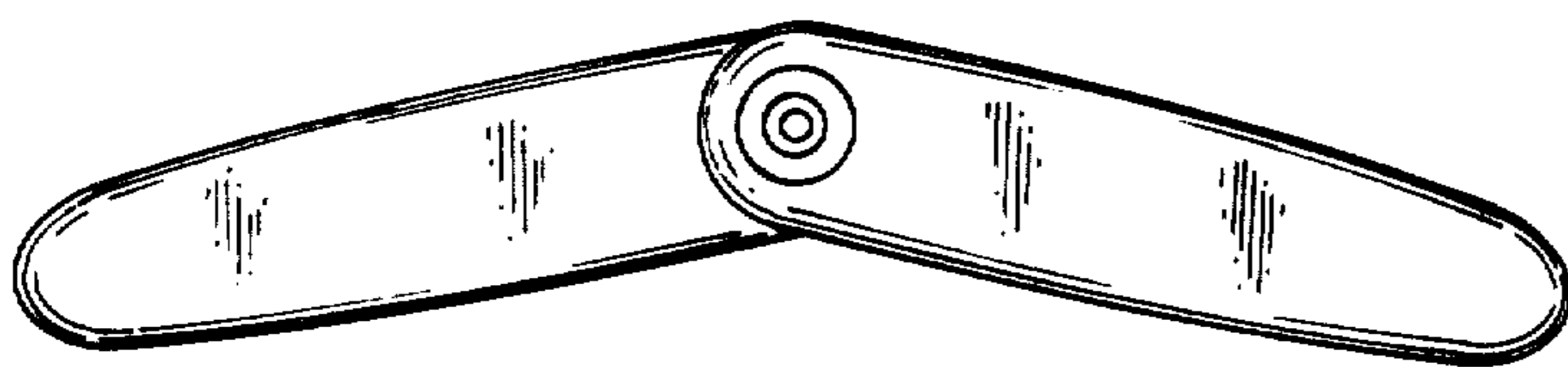


Fig. 4

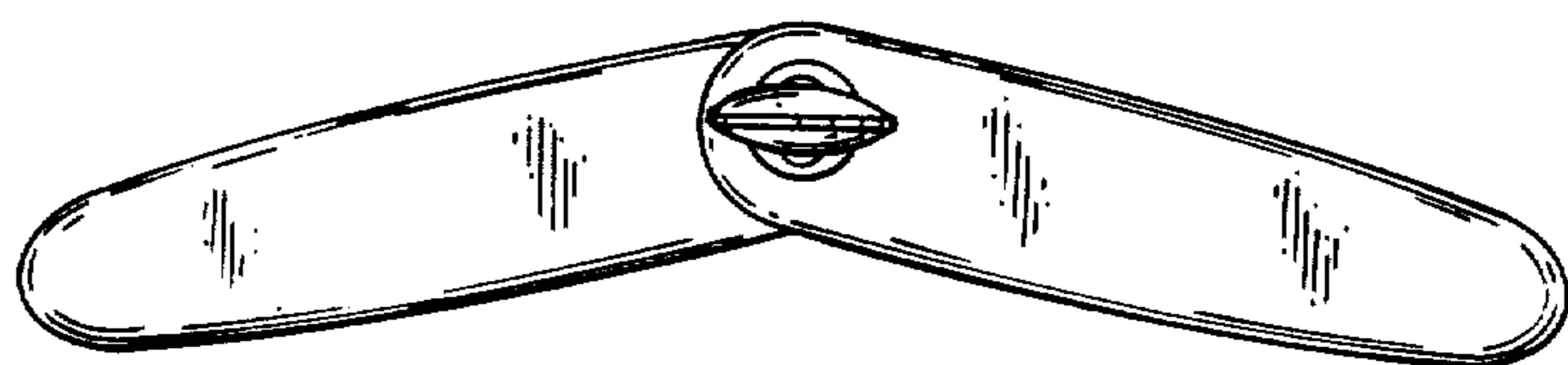


Fig. 5