

[54] DESK TRAY

[76] Inventors: James E. Giulie; Joe D. Giulie, both of 1015 Corporation Way, Palo Alto, Calif. 94303

[**] Term: 14 Years

[21] Appl. No.: 61,813

[22] Filed: Jul. 30, 1979

[51] Int. Cl. D19-02

[52] U.S. Cl. D19/92

[58] Field of Search D19/75, 78, 86, 92, D19/95; 211/126, 11

[56] References Cited

U.S. PATENT DOCUMENTS

- D. 143,467 1/1946 Cunningham D19/92
- D. 179,534 1/1957 Bullock et al. D19/92

- 2,276,121 3/1942 Thorn et al. 211/126
- 2,894,640 7/1959 Bigelow 211/126

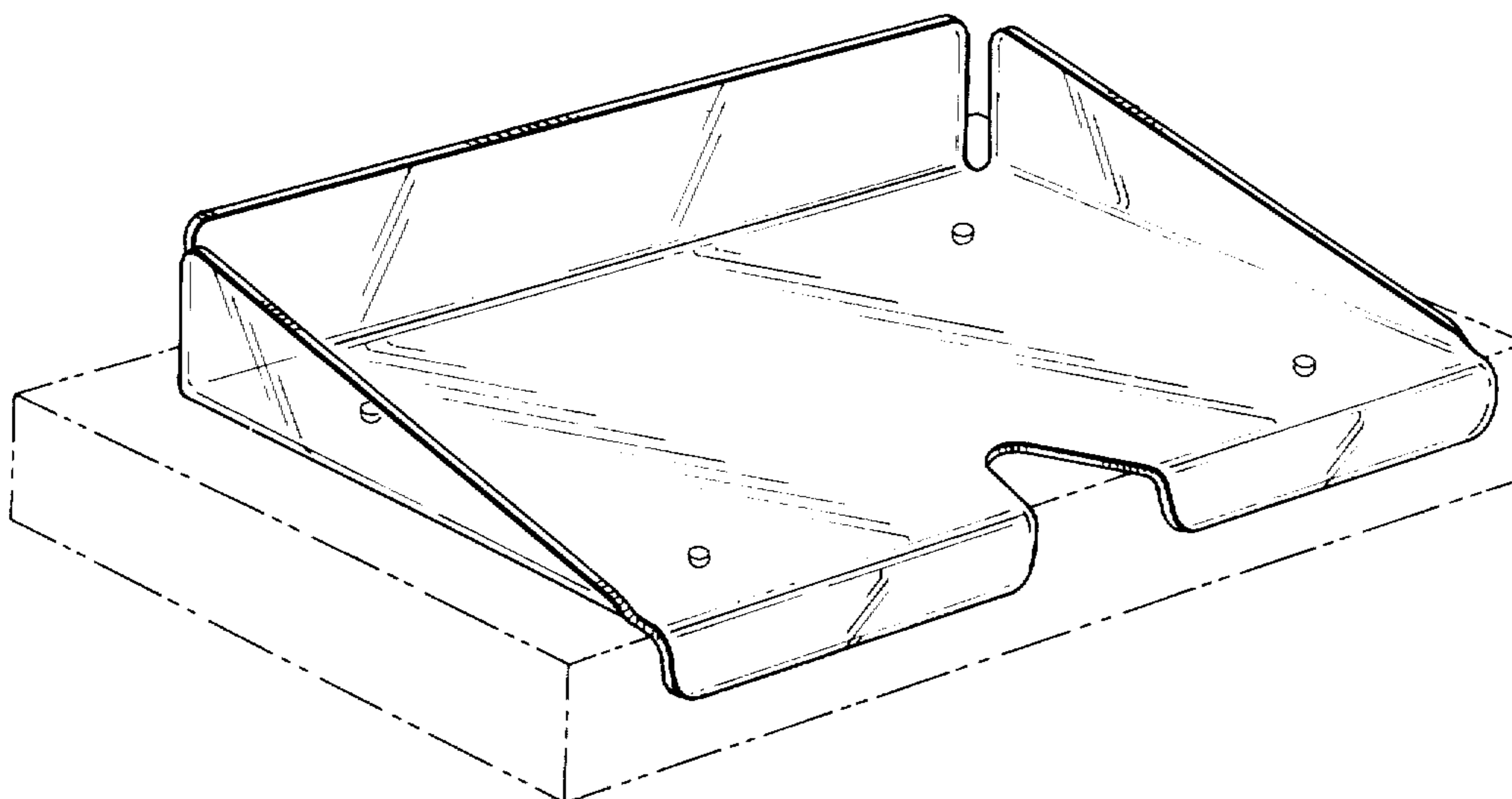
Primary Examiner—George P. Word
Attorney, Agent, or Firm—Robert G. Slick

[57] CLAIM

The ornamental design for a desk tray, as shown and described.

DESCRIPTION

FIG. 1 is a perspective view of a desk tray showing our new design;
 FIG. 2 is a left side elevational view thereof;
 FIG. 3 is a front elevational view thereof;
 FIG. 4 is a top plan view thereof;
 FIG. 5 is a bottom plan view thereof; and
 FIG. 6 is a rear elevational view thereof.
 The environmental structure shown in dotted lines in FIGS. 1 and 2 is for illustrative purposes only.



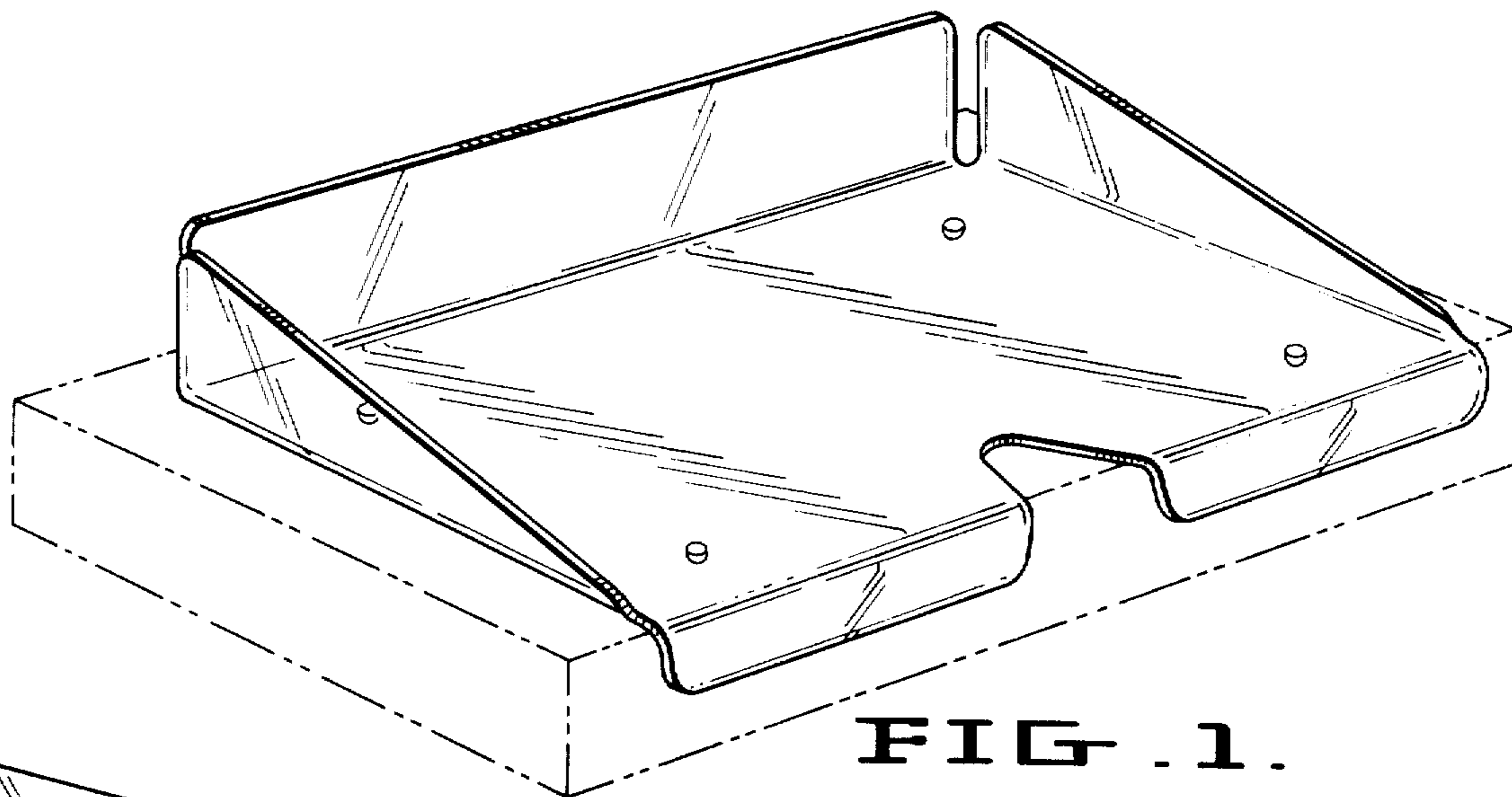


FIG. 1.

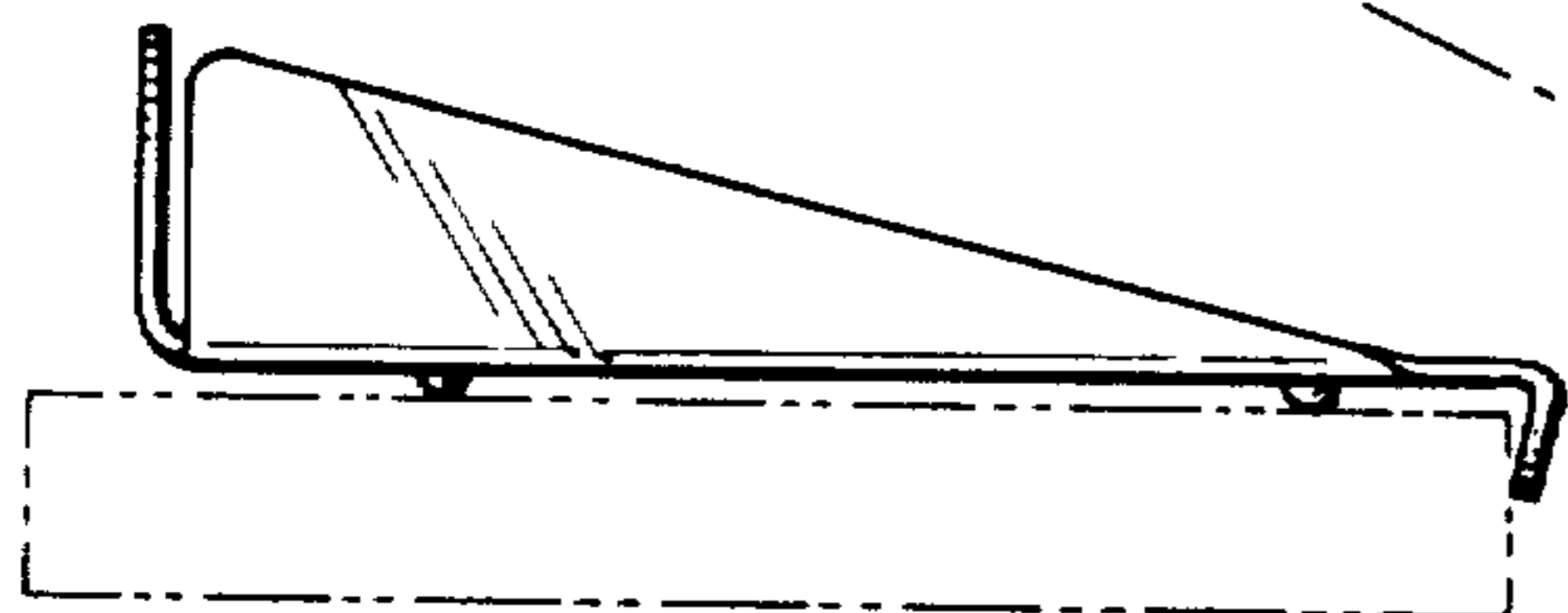


FIG. 2.

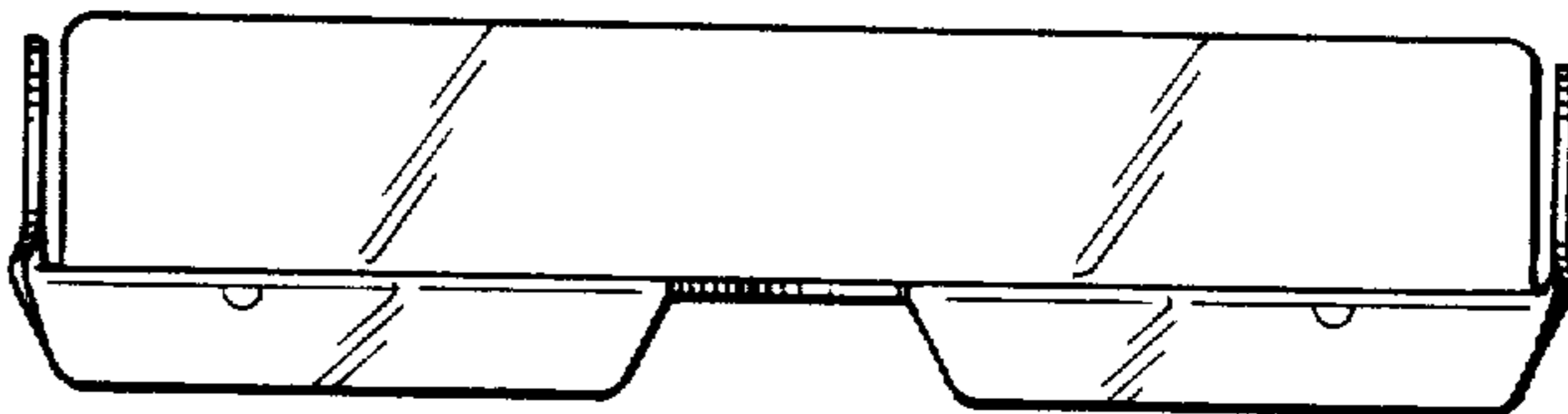


FIG. 3.

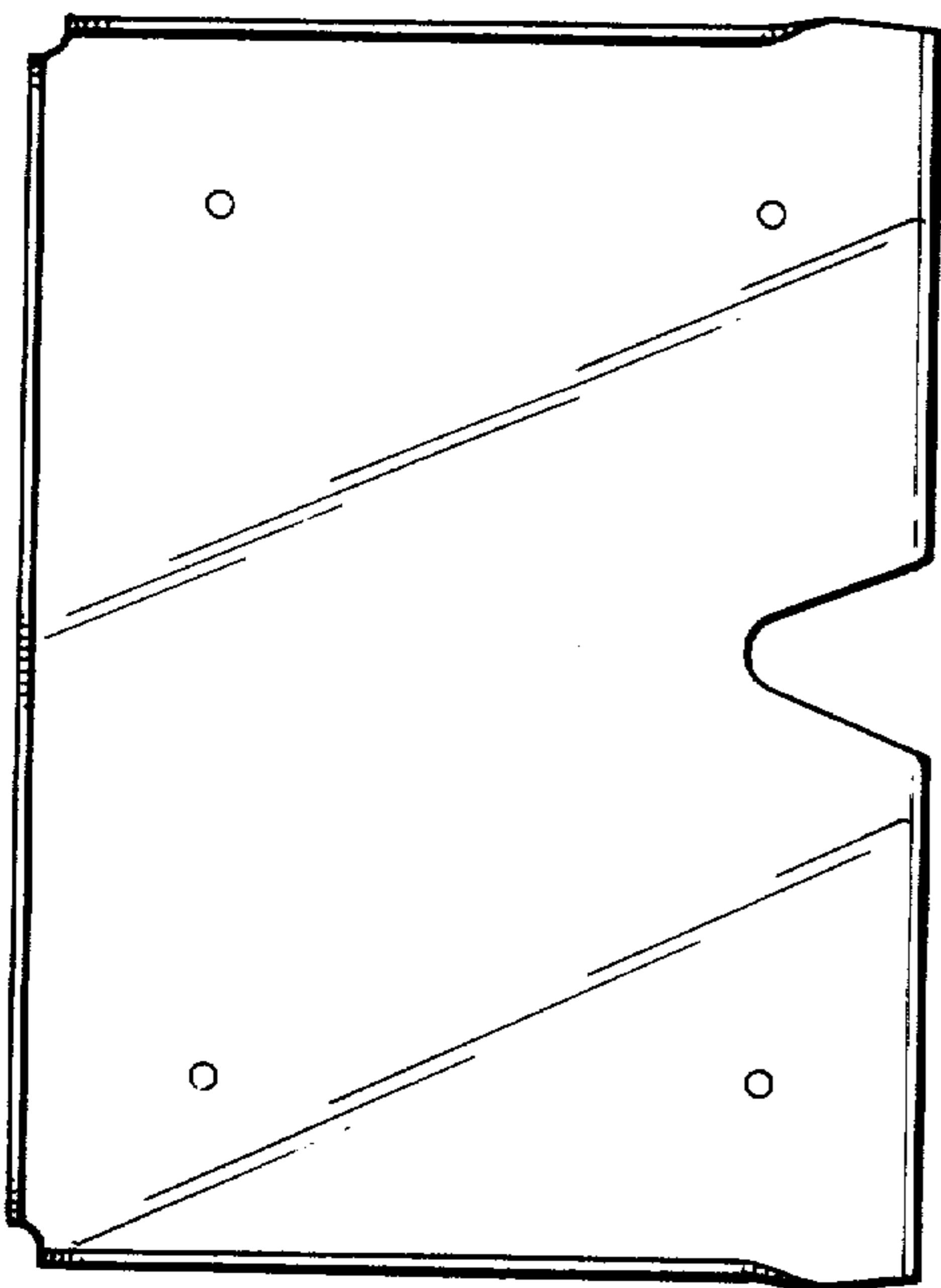


FIG. 4.

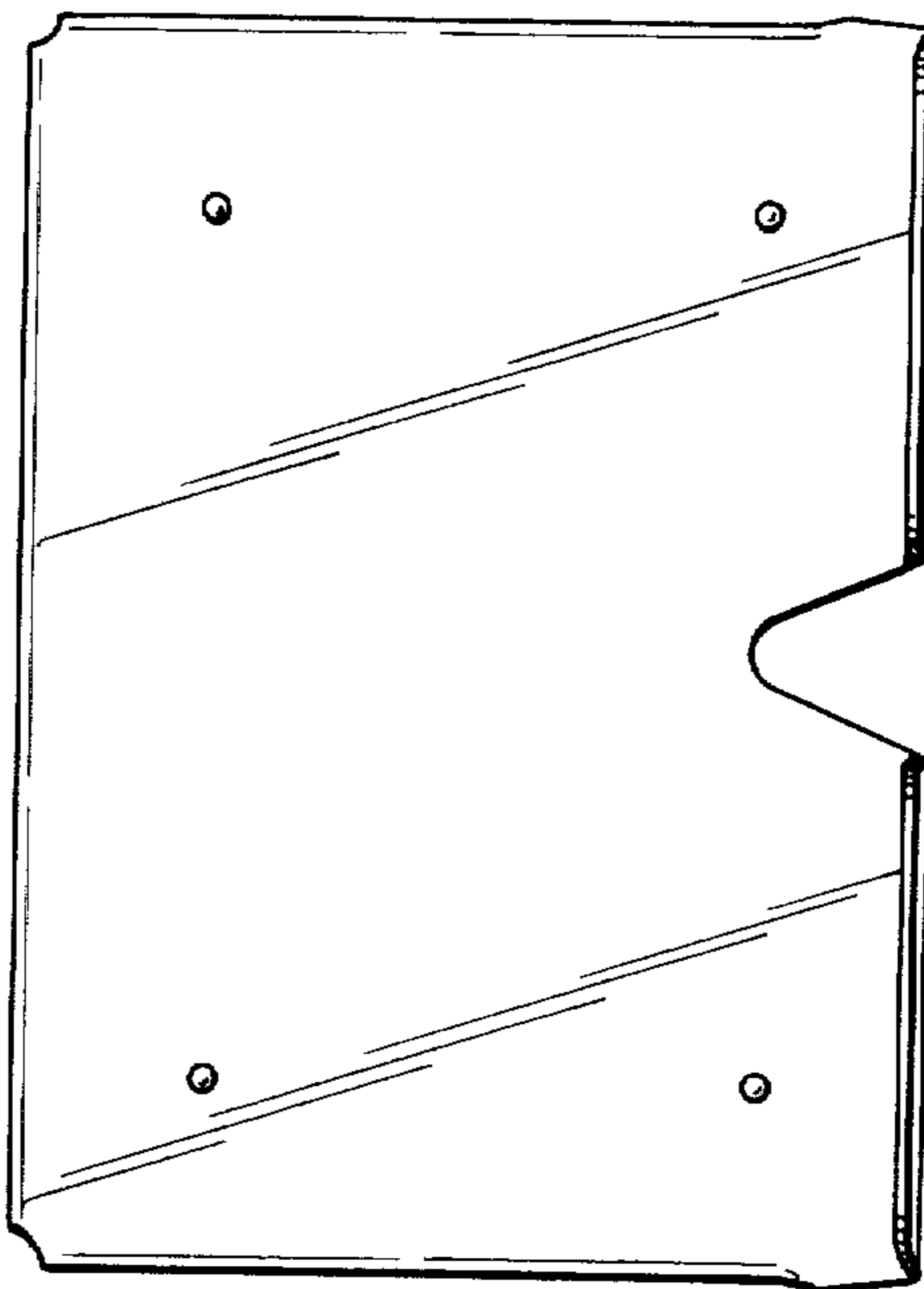


FIG. 5.

FIG. 6.

