

[54] COMBINED DESK TRAY, CALENDAR PAD HOLDER AND DESK SET

D. 200,453 2/1965 Rosner D19/78
D. 229,108 11/1973 Grosse D19/92

[76] Inventor: Dale E. Grusing, 4917 - 15th St., Lubbock, Tex. 79416

Primary Examiner—George P. Word
Attorney, Agent, or Firm—Wendell Coffee

[**] Term: 14 Years

[21] Appl. No.: 912,568

[22] Filed: Jun. 5, 1978

[51] Int. Cl. D19-02

[52] U.S. Cl. D19/77; D19/21; D19/22; D19/23; D19/78; D19/84; D19/92

[58] Field of Search D19/20-23, D19/65, 75, 77-78, 81, 84, 85, 92; 211/11, 126

[56] References Cited

U.S. PATENT DOCUMENTS

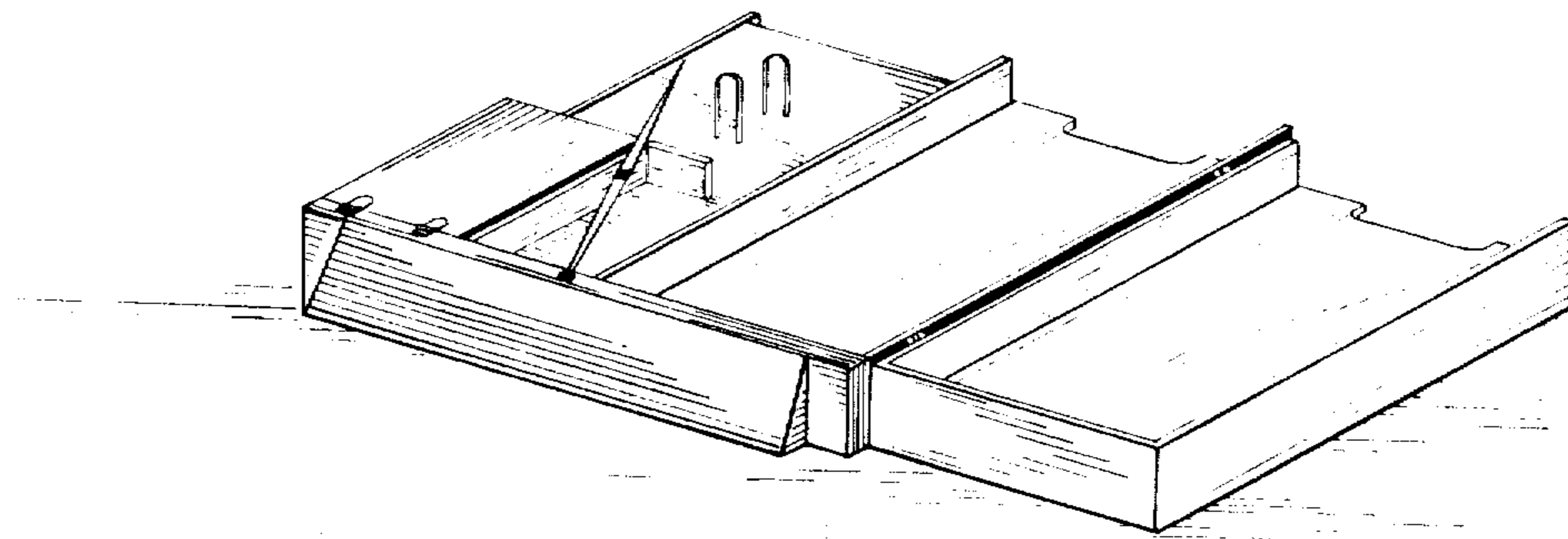
D. 167,734 9/1952 Applebaum D19/92
D. 186,144 9/1959 Daniels D19/92
D. 194,172 11/1962 Obata D19/92

[57] CLAIM

The ornamental design for a combined desk tray, calendar pad holder and desk set, as shown and described.

DESCRIPTION

FIG. 1 is a top plan view of a combined desk tray, calendar pad holder and desk set showing my new design;
FIG. 2 is a rear elevational view thereof;
FIG. 3 is a front elevational view thereof;
FIG. 4 is a bottom plan view thereof;
FIG. 5 is a left side elevational view thereof;
FIG. 6 is a right side elevational view thereof;
FIG. 7 is a right side perspective view thereof; and,
FIG. 8 is a reduced scale right side perspective view thereof with the trays in the open position.



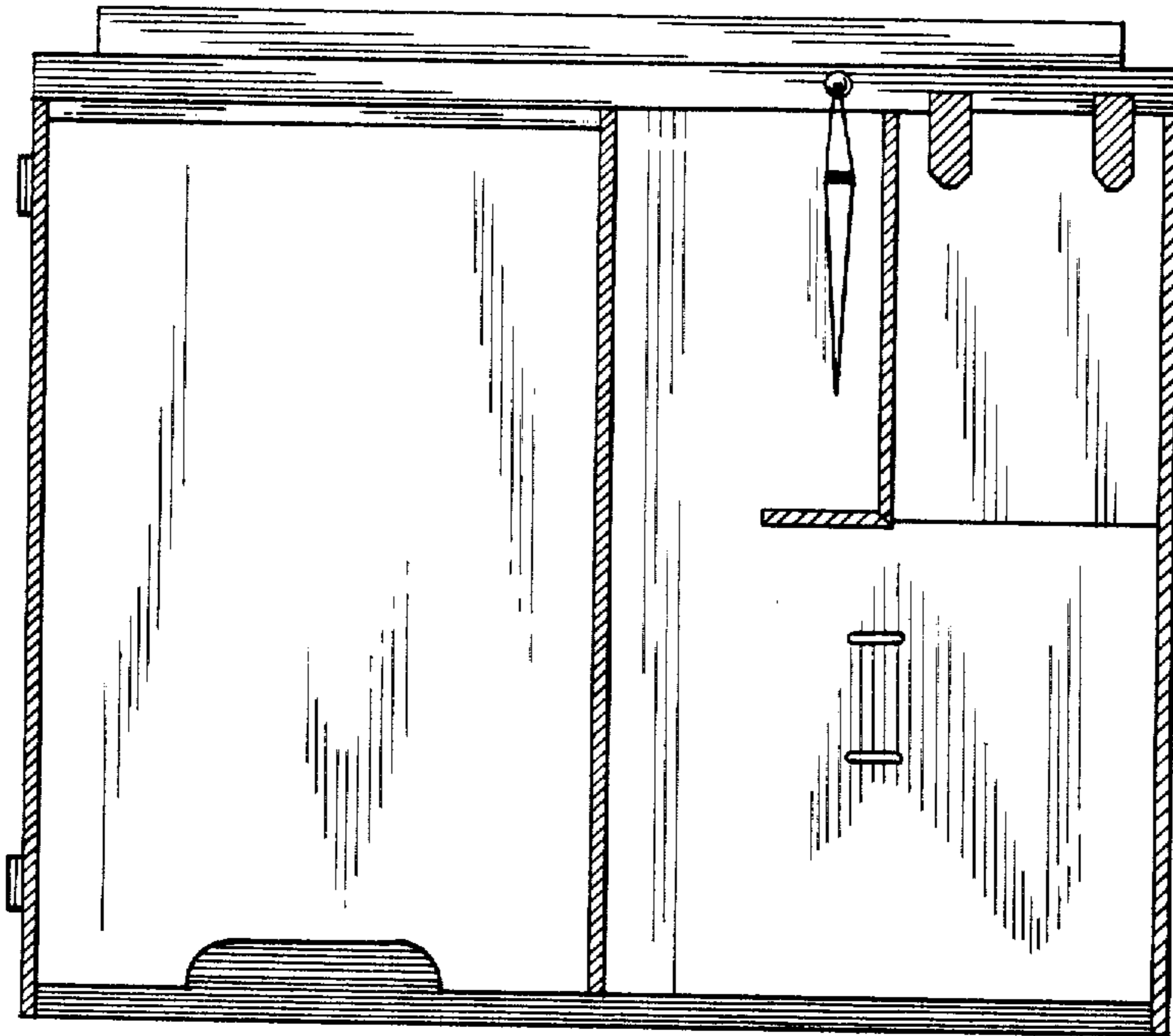


FIG. 1

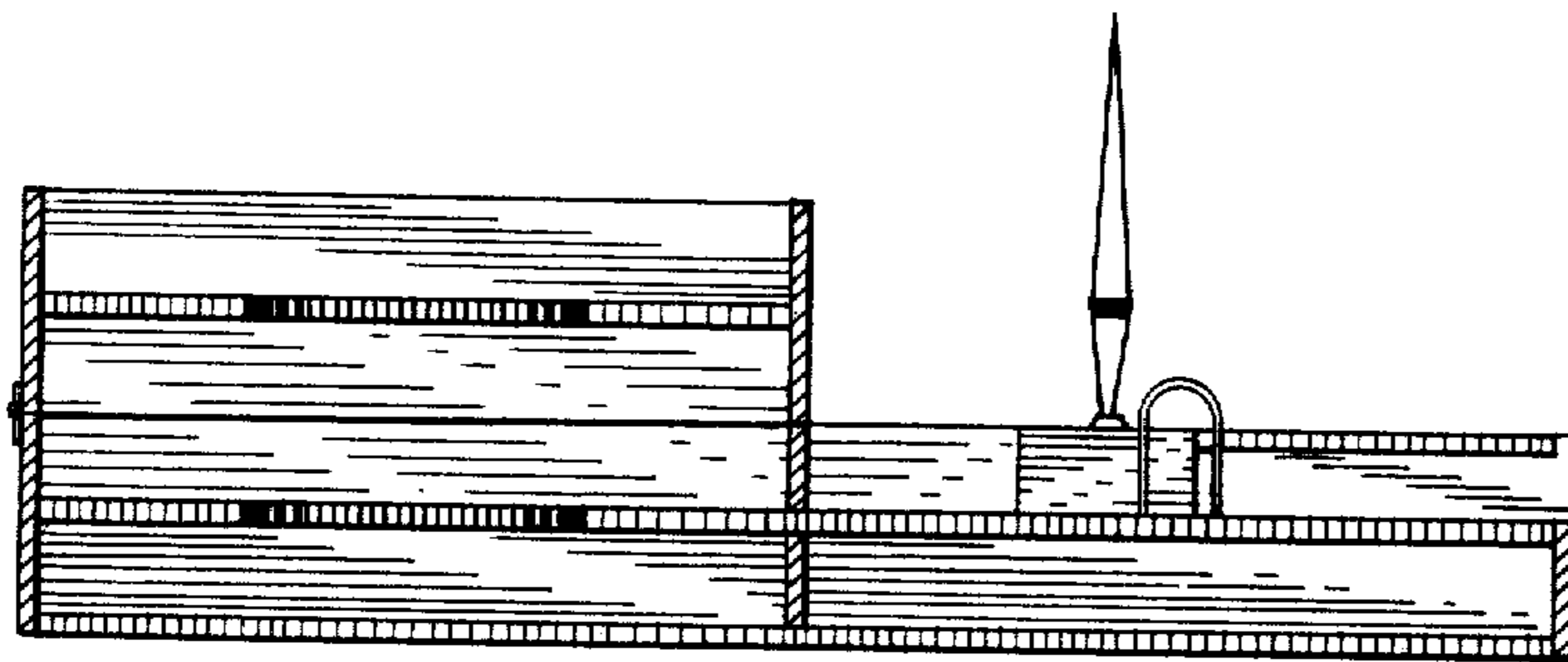


FIG. 2

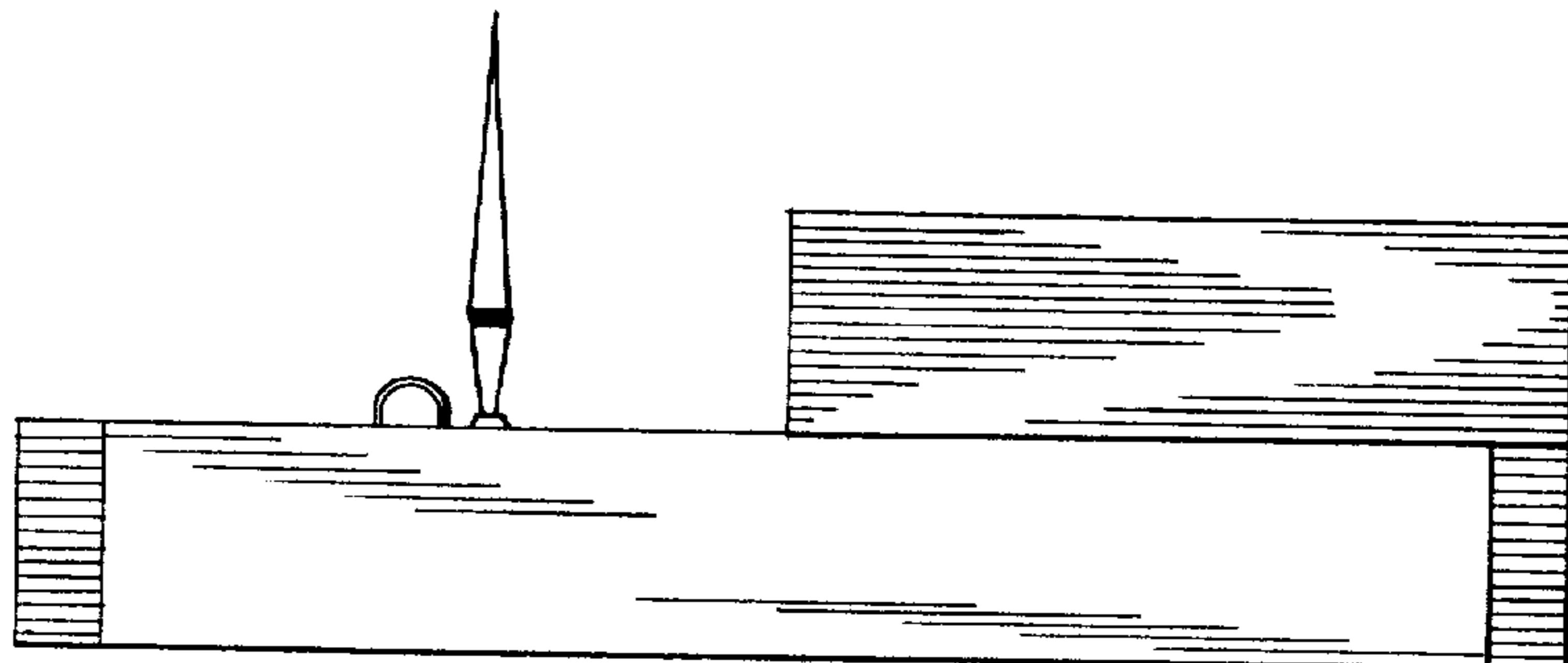


FIG. 3

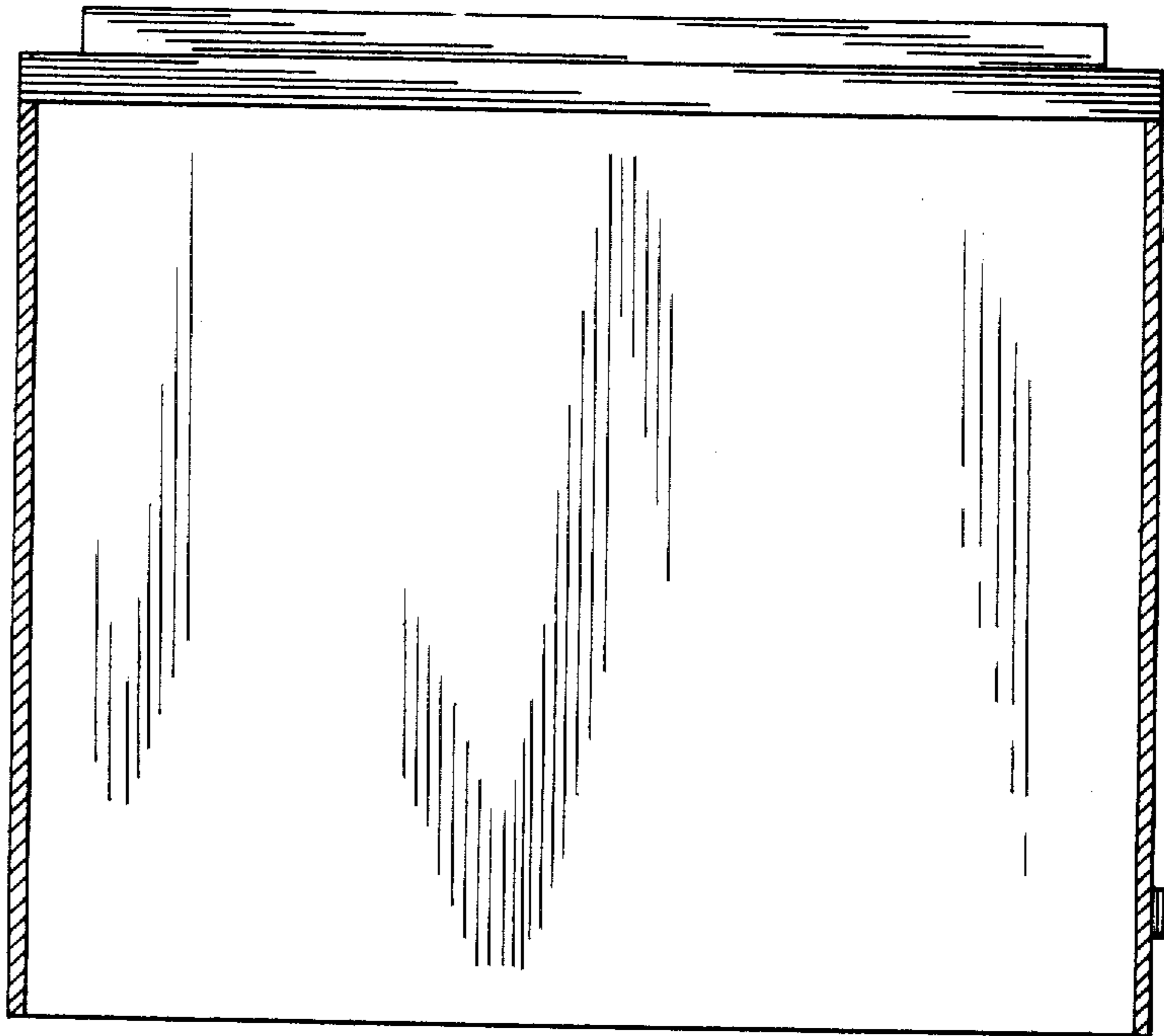


FIG. 4

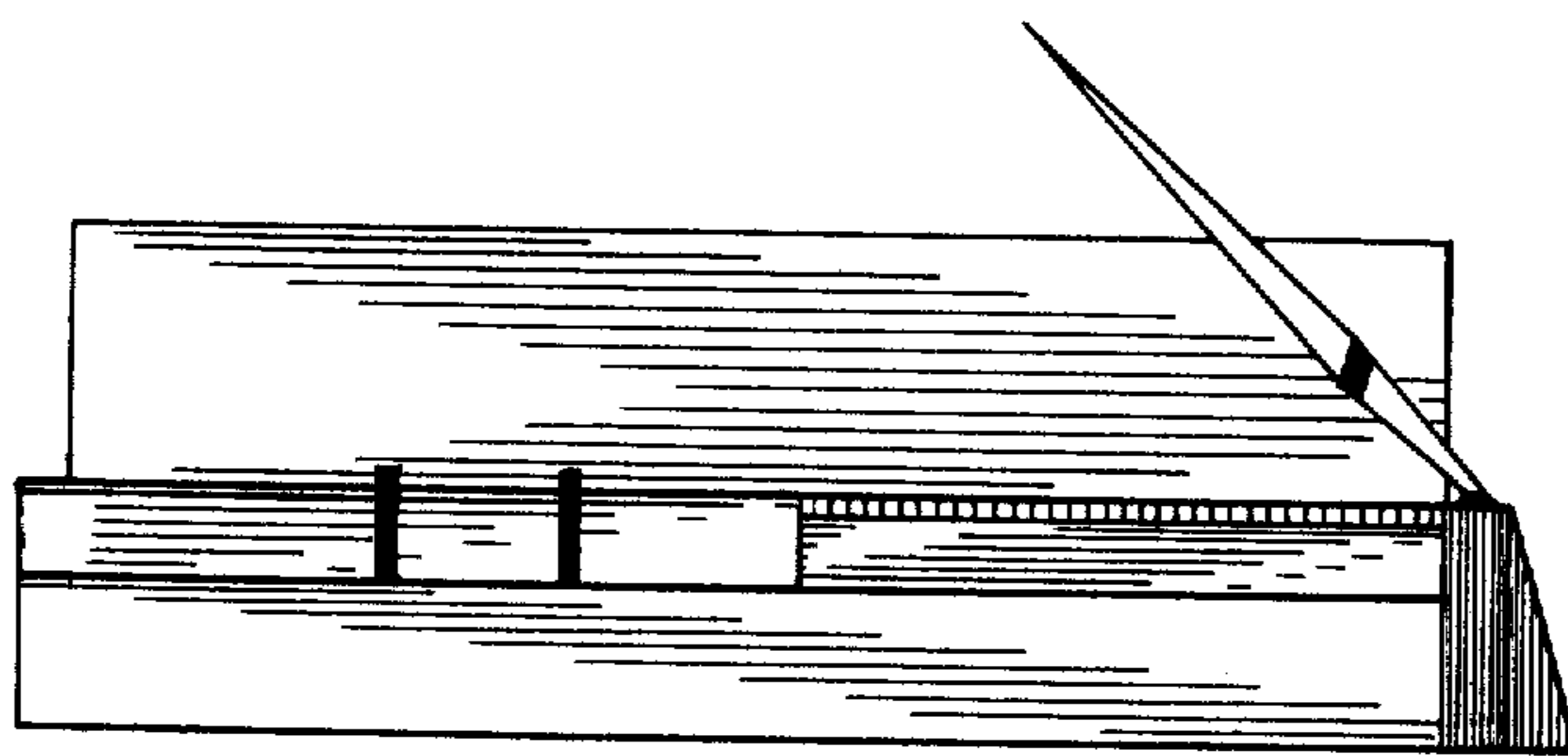


FIG. 5

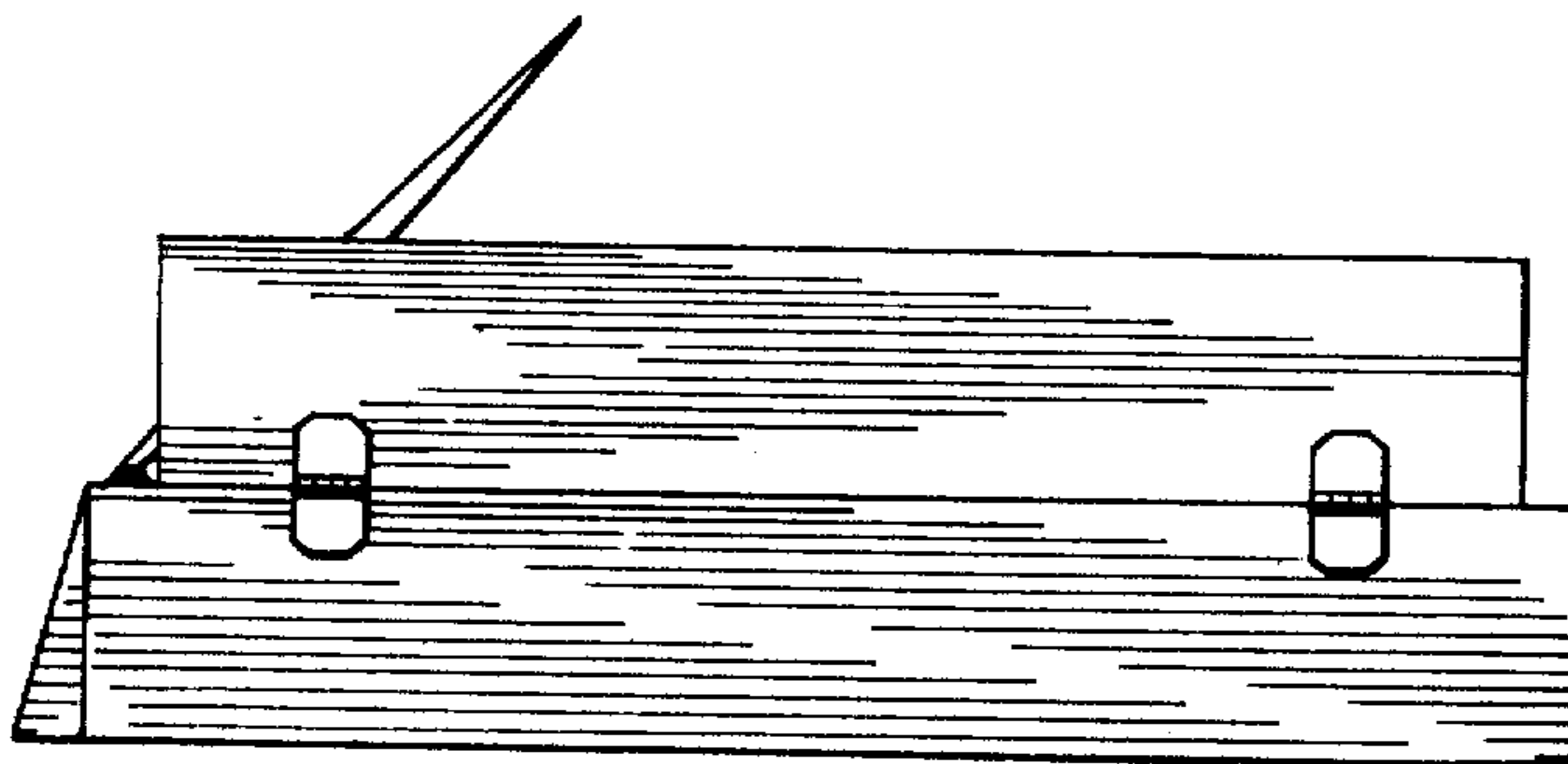


FIG. 6

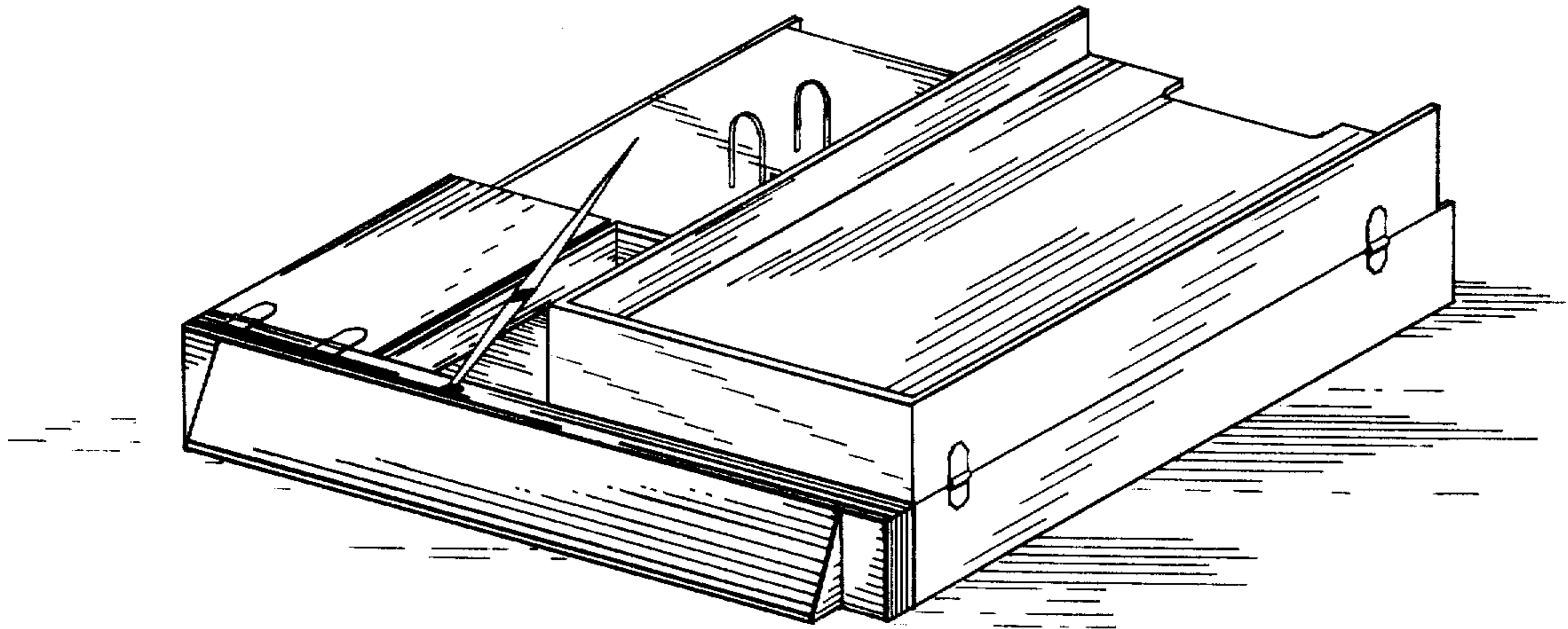


FIG. 7

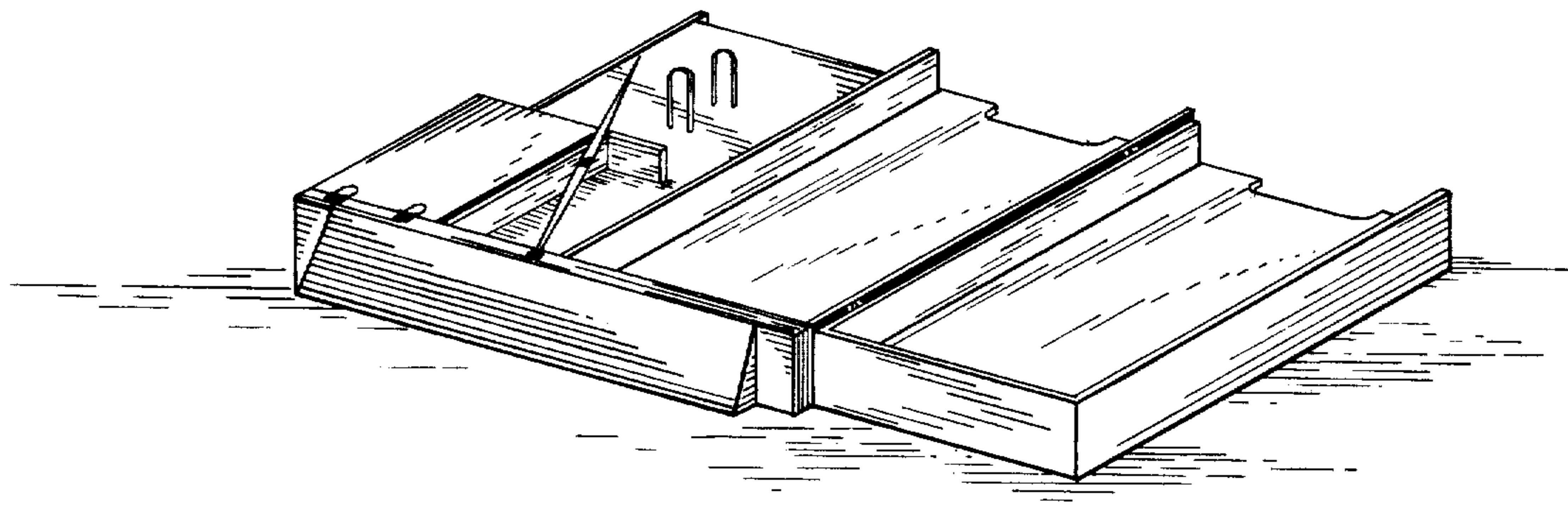


FIG. 8