

[54] ELECTROSTATIC COPYING MACHINE

[75] Inventor: Shigeru Kurozumi, Osaka, Japan

[73] Assignee: Sharp Corporation, Osaka, Japan

[**] Term: 14 Years

[21] Appl. No.: 42,624

[22] Filed: May 25, 1979

[30] Foreign Application Priority Data

Dec. 4, 1978 [JP] Japan 53-51512

[51] Int. Cl. D16-03

[52] U.S. Cl. D16/27

[58] Field of Search D16/27-32;
355/3 R, 3 DD, 3 P, 8, 9

[56] References Cited

U.S. PATENT DOCUMENTS

D. 248,957 8/1978 Kitai et al. D16/31
4,222,659 9/1980 Komori et al. 355/8

OTHER PUBLICATIONS

Office Products, Jan. 1977, p. 64, upper right hand corner, Plain Paper Copier, Dennison Mfg. Co.

Primary Examiner—Peter M. Caun

Attorney, Agent, or Firm—Flehr, Hohbach, Test et al.

[57] CLAIM

The ornamental design for an electrostatic copying machine, as shown and described.

DESCRIPTION

FIG. 1 is a perspective view of the electrostatic copying machine, with the paper trays extended at each end, showing my new design;

FIG. 2 is a plan view thereof with paper trays retracted and with the rear tray, which is partially disclosed, having a rectangular shape as indicated;

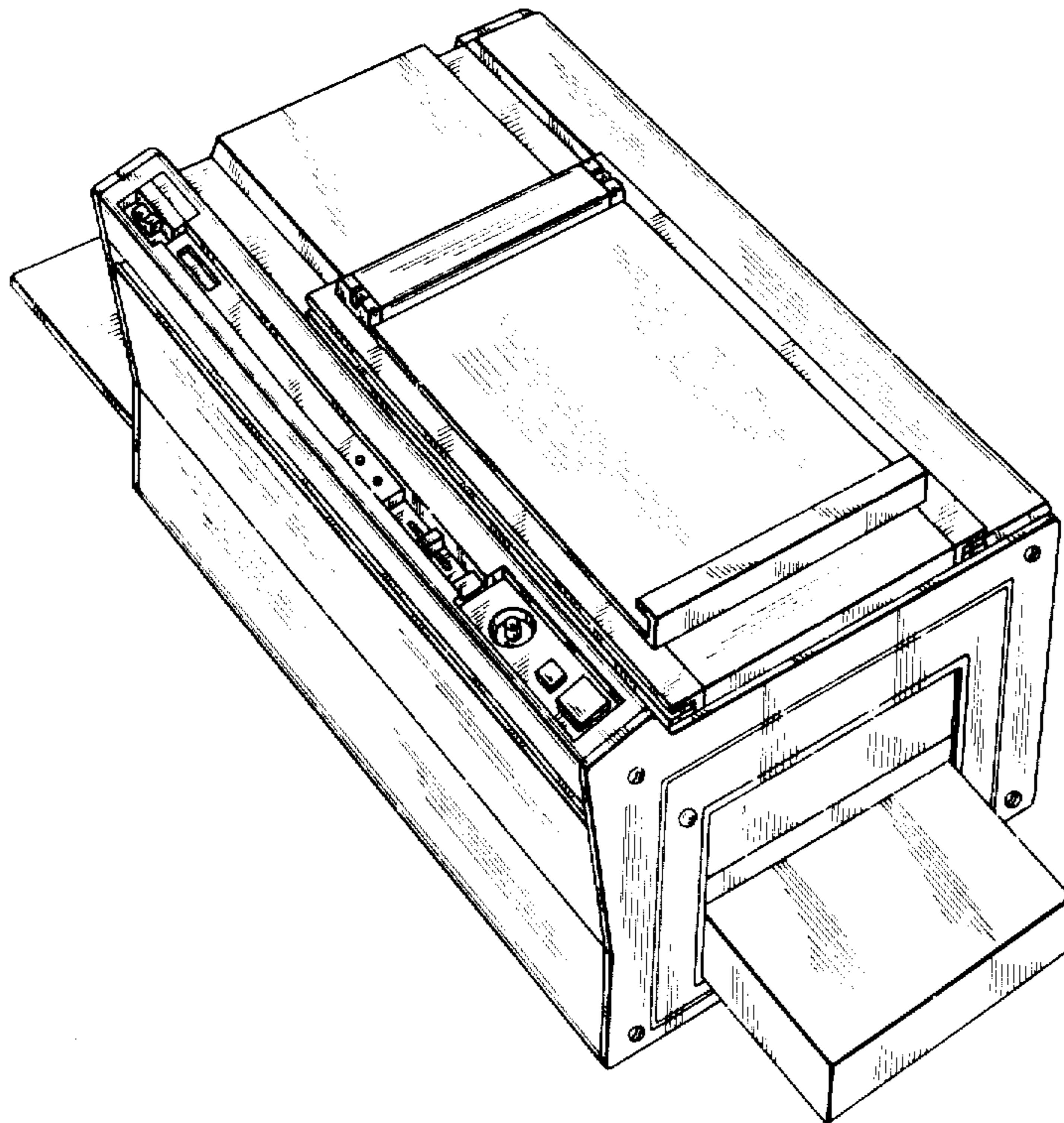
FIG. 3 is a front elevational view thereof;

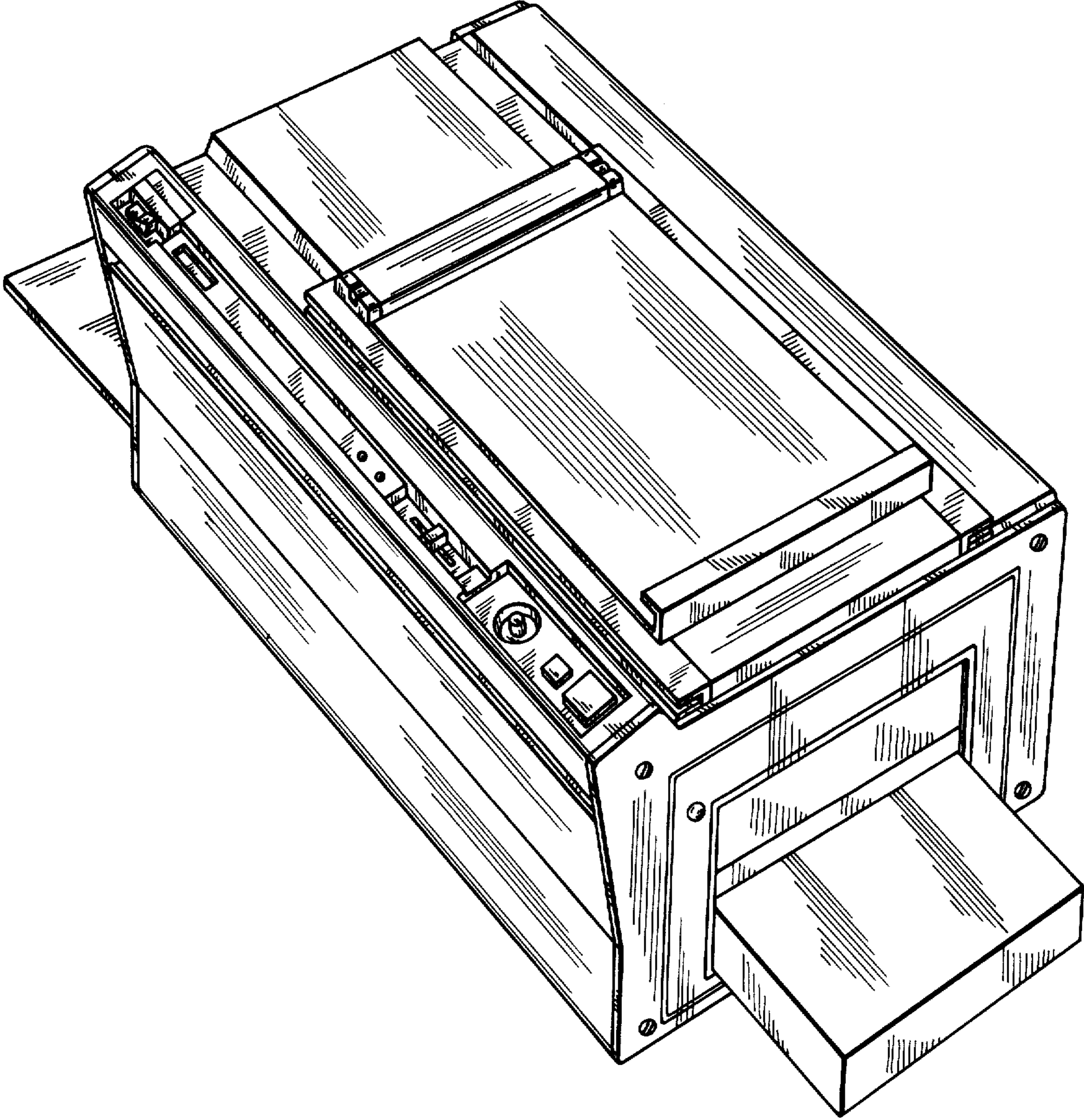
FIG. 4 is a rear elevational view thereof;

FIG. 5 is a bottom view thereof;

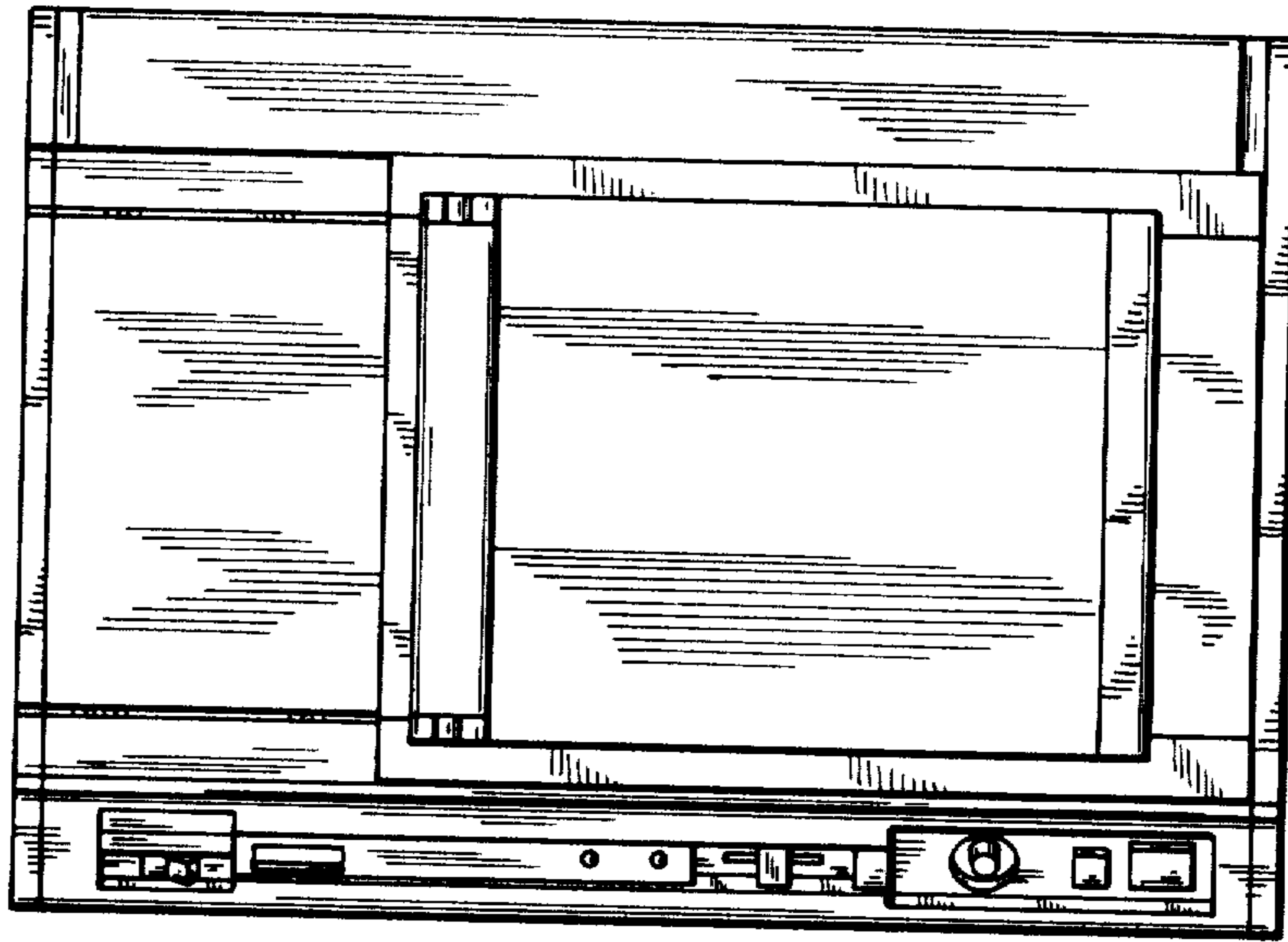
FIG. 6 is a right side elevational view thereof; and

FIG. 7 is a left side elevational view thereof.

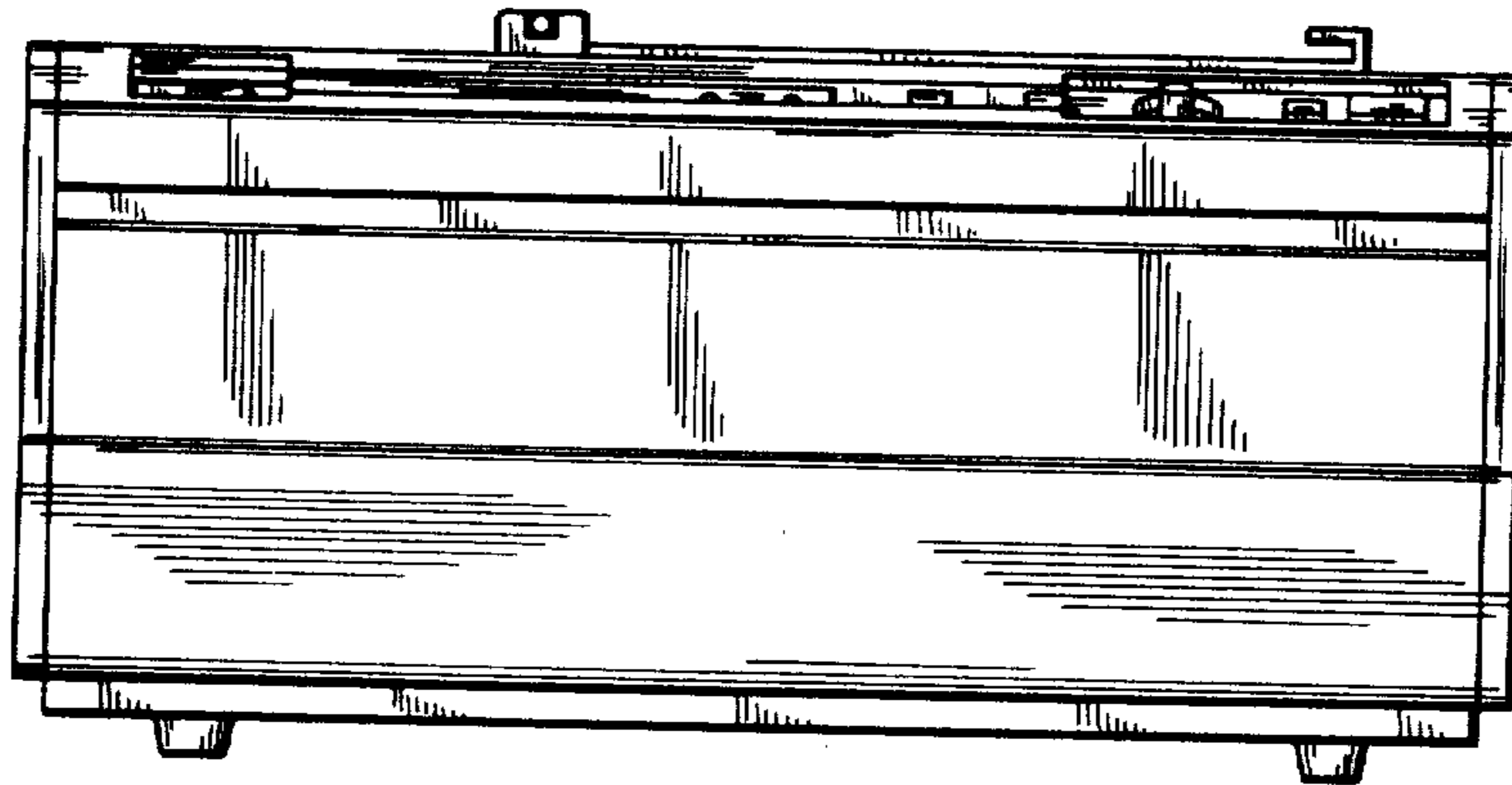




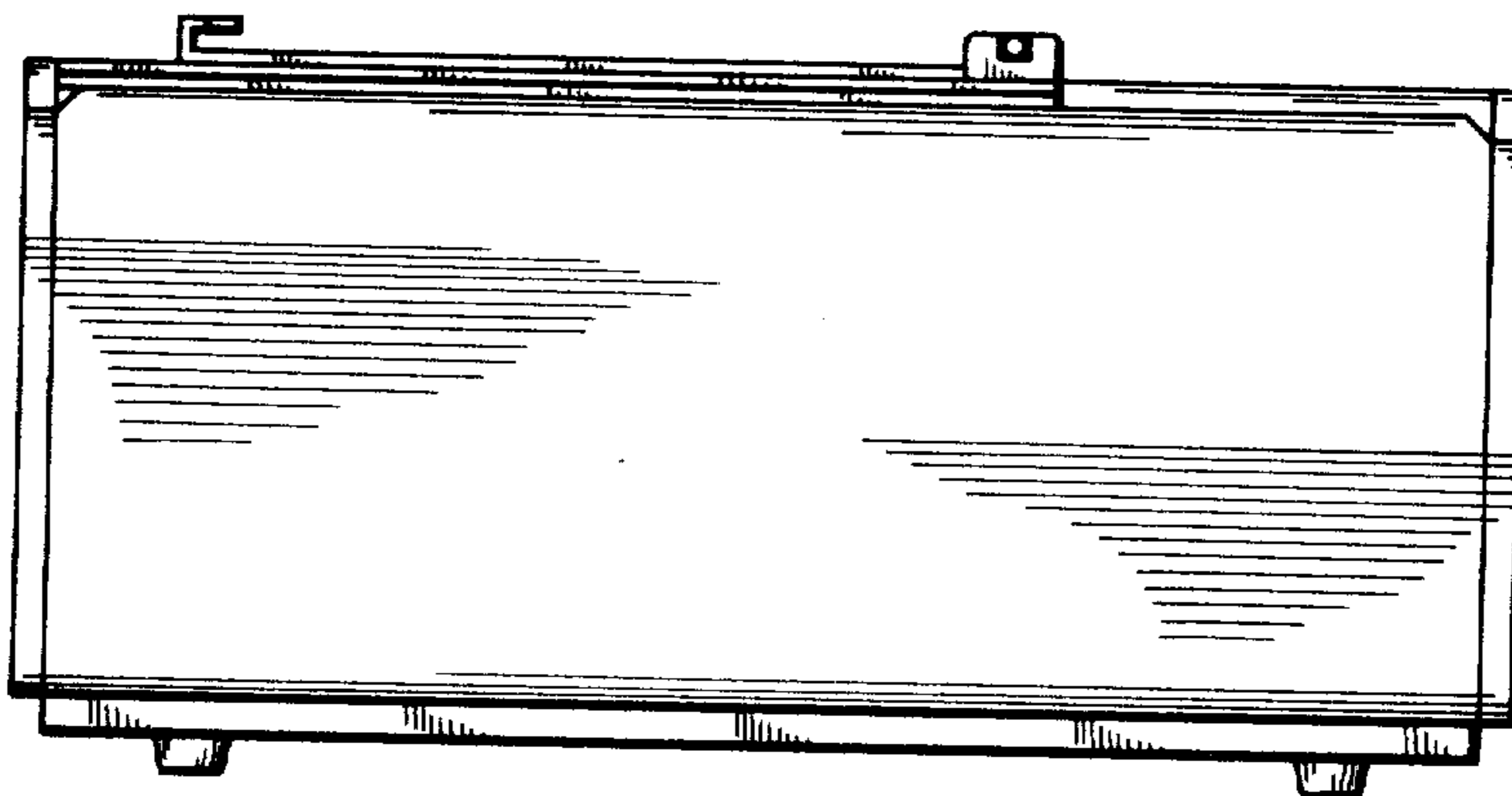
FIG_1



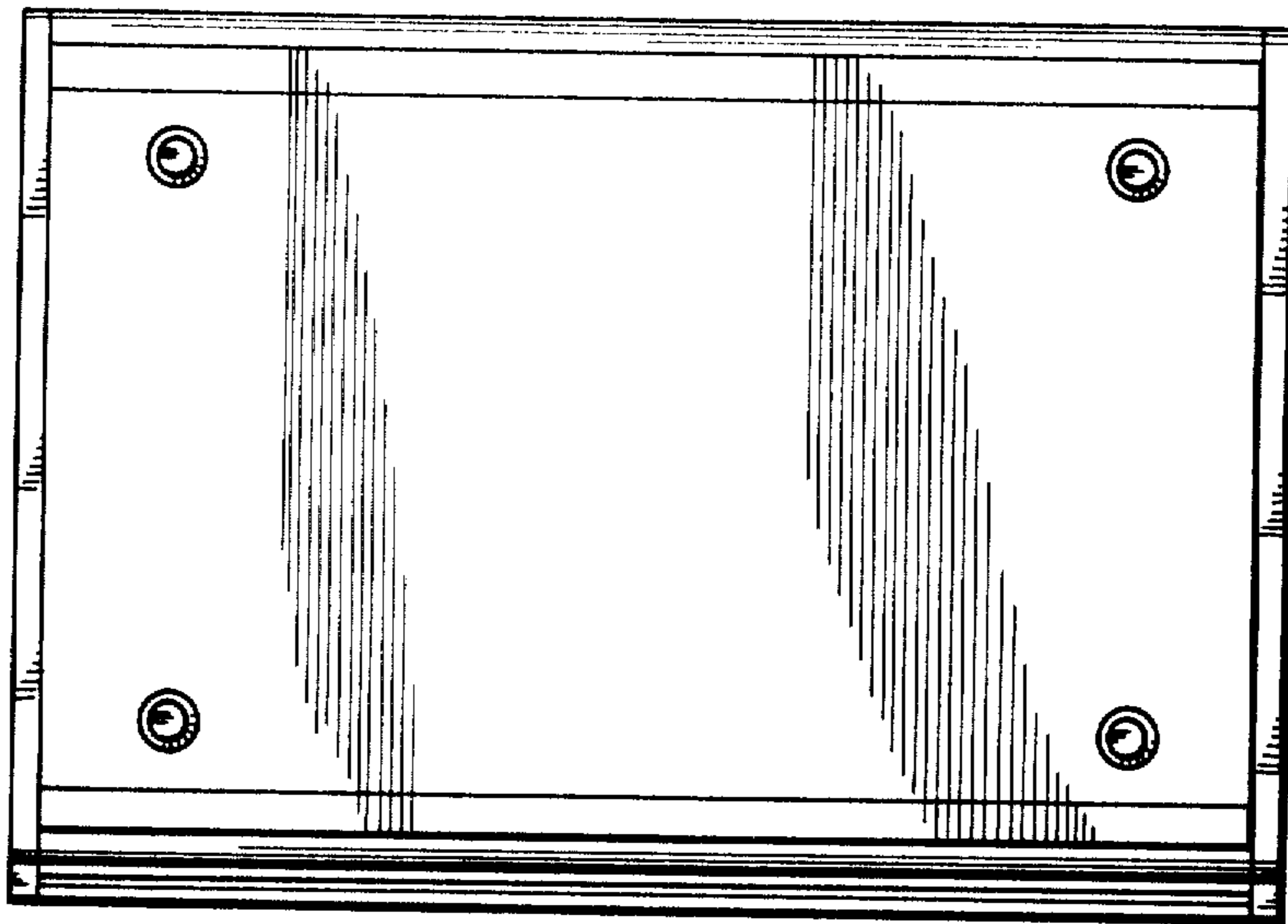
FIG_2



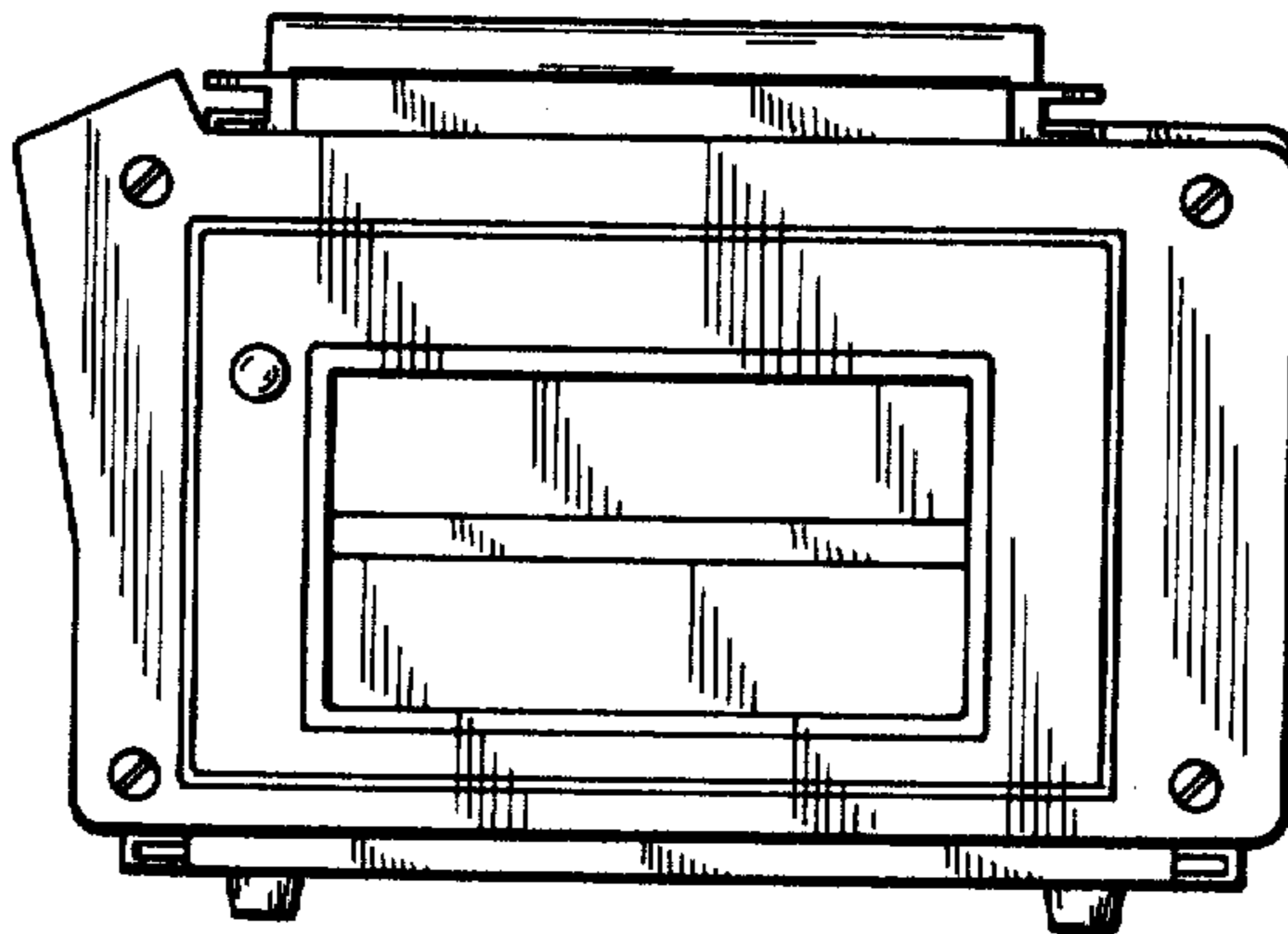
FIG_3



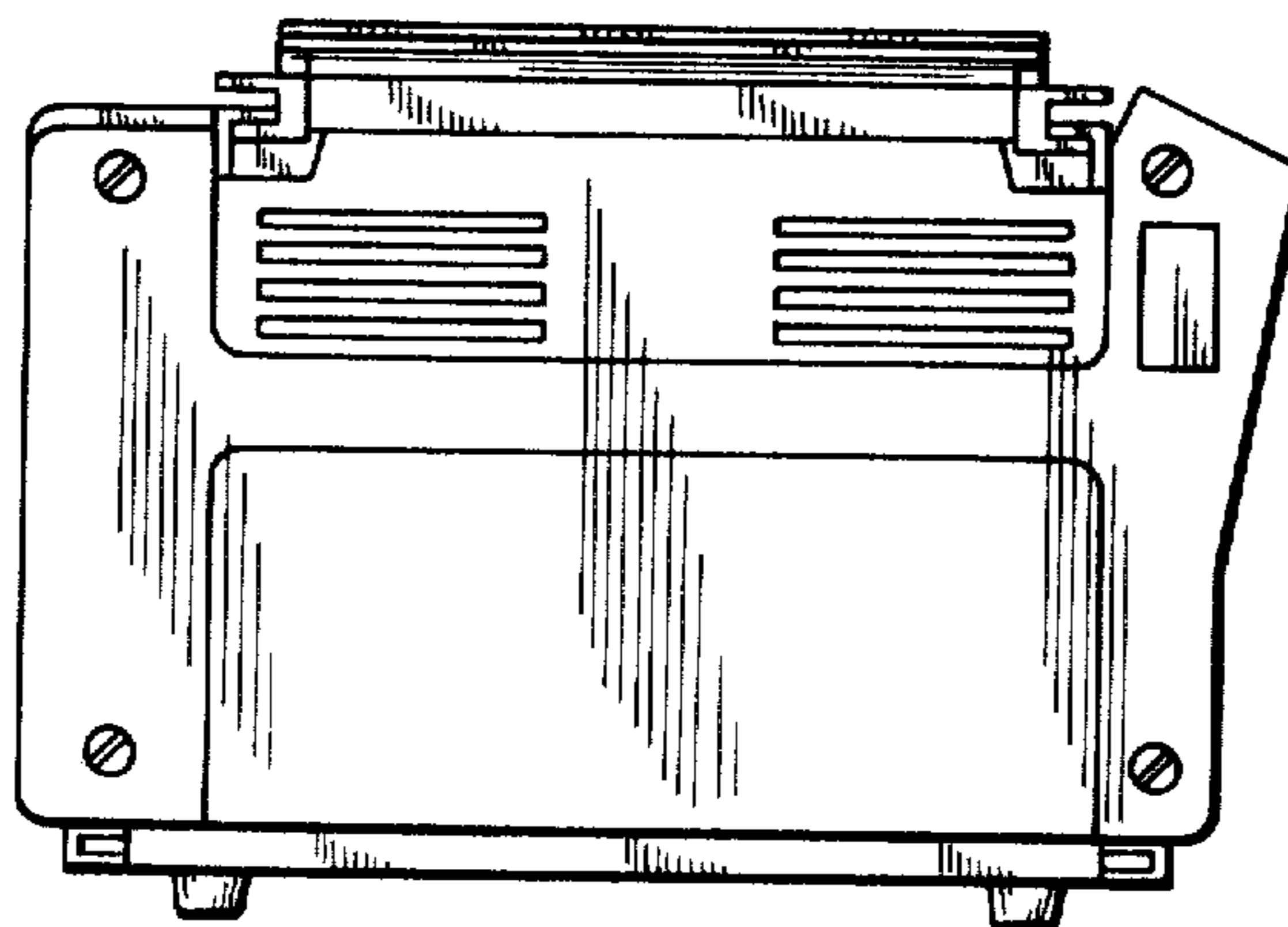
FIG_4



FIG_5



FIG_6



FIG_7