

[54] **VACUUM CLEANER ACCESS PLATE**

[75] **Inventor: Don W. Vermillion, Anderson, S.C.**

[73] **Assignee: The Singer Company, Stamford, Conn.**

[**] **Term: 14 Years**

[21] **Appl. No.: 51,335**

[22] **Filed: Jun. 22, 1979**

[51] **Int. Cl. D15-05**

[52] **U.S. Cl. D32/32**

[58] **Field of Search D15/52, 62, 63, 64; 15/364, 366, 367, 368, 375, 377, 383**

[56] **References Cited**

U.S. PATENT DOCUMENTS

D. 239,590 4/1976 Goodman D15/64

D. 253,054 10/1979 Stevens et al. D15/64
 2,017,893 10/1935 Boettler 15/383
 2,077,754 4/1937 Hemrich 15/383 X
 3,167,802 2/1965 Pratt et al. 15/383
 4,023,234 5/1977 Martinec et al. 15/331
 4,167,801 9/1979 Erbor et al. 15/377 X
 4,199,839 4/1980 Martinec 15/377 X

Primary Examiner—Catherine E. Kemper
Attorney, Agent, or Firm—Elliot A. Lackenbach; Robert E. Smith; Edward L. Bell

[57] **CLAIM**

The ornamental design for a vacuum cleaner access plate, substantially as shown and described.

DESCRIPTION

FIG. 1 is a top front perspective view of a vacuum cleaner access plate, showing my new design; FIG. 2 is a bottom perspective view thereof; FIG. 3 is a side elevational view thereof.

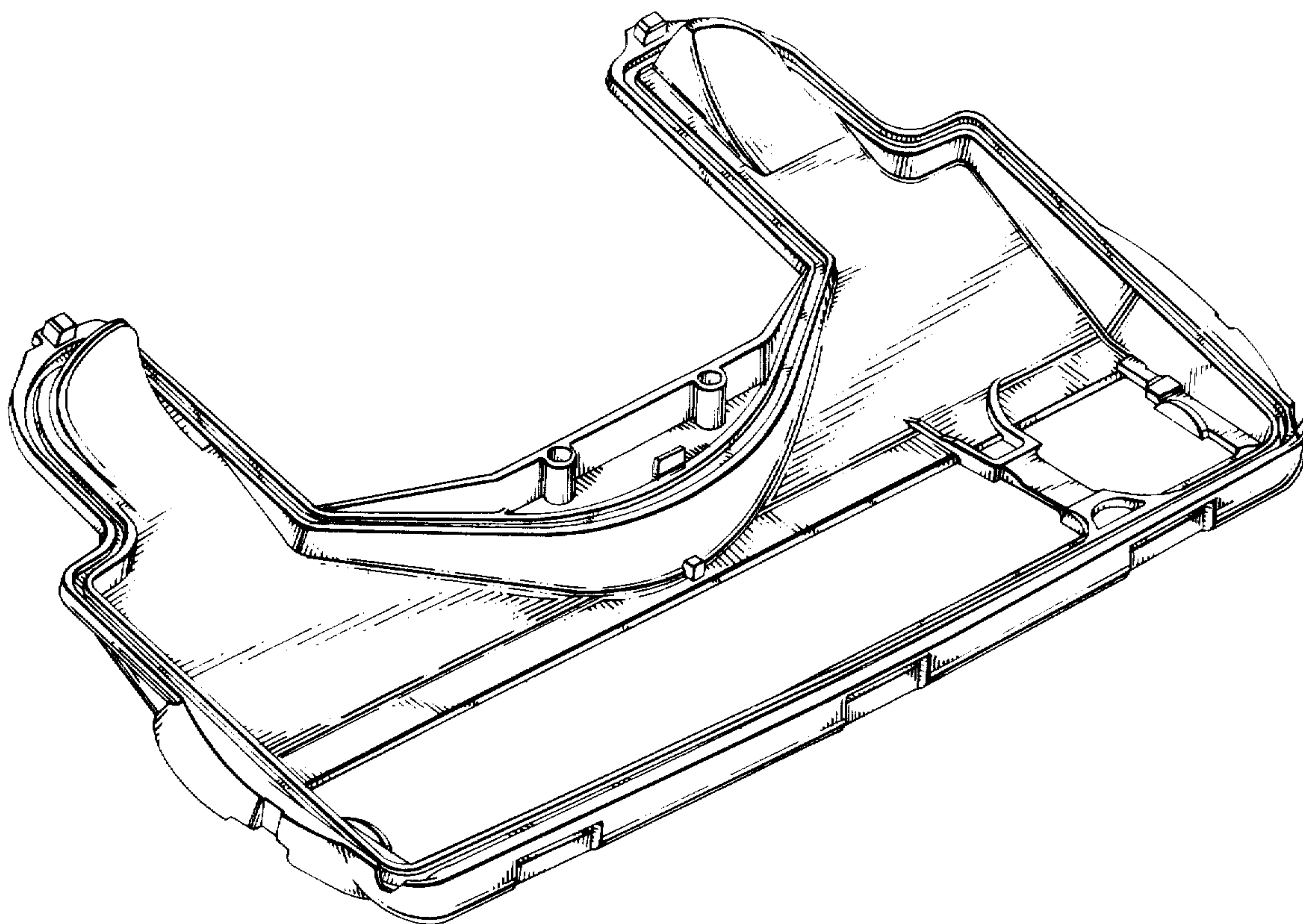


Fig. 1

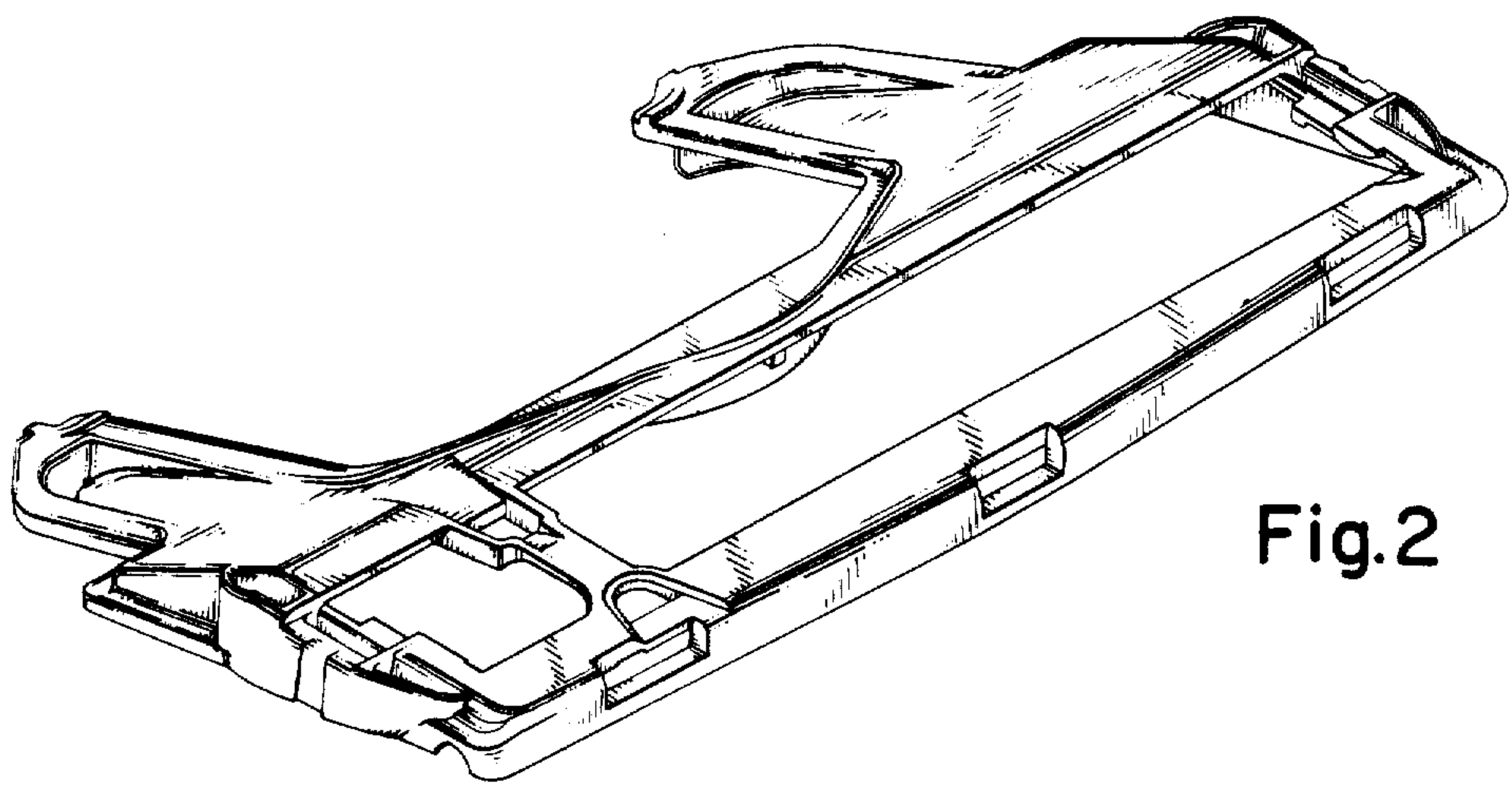
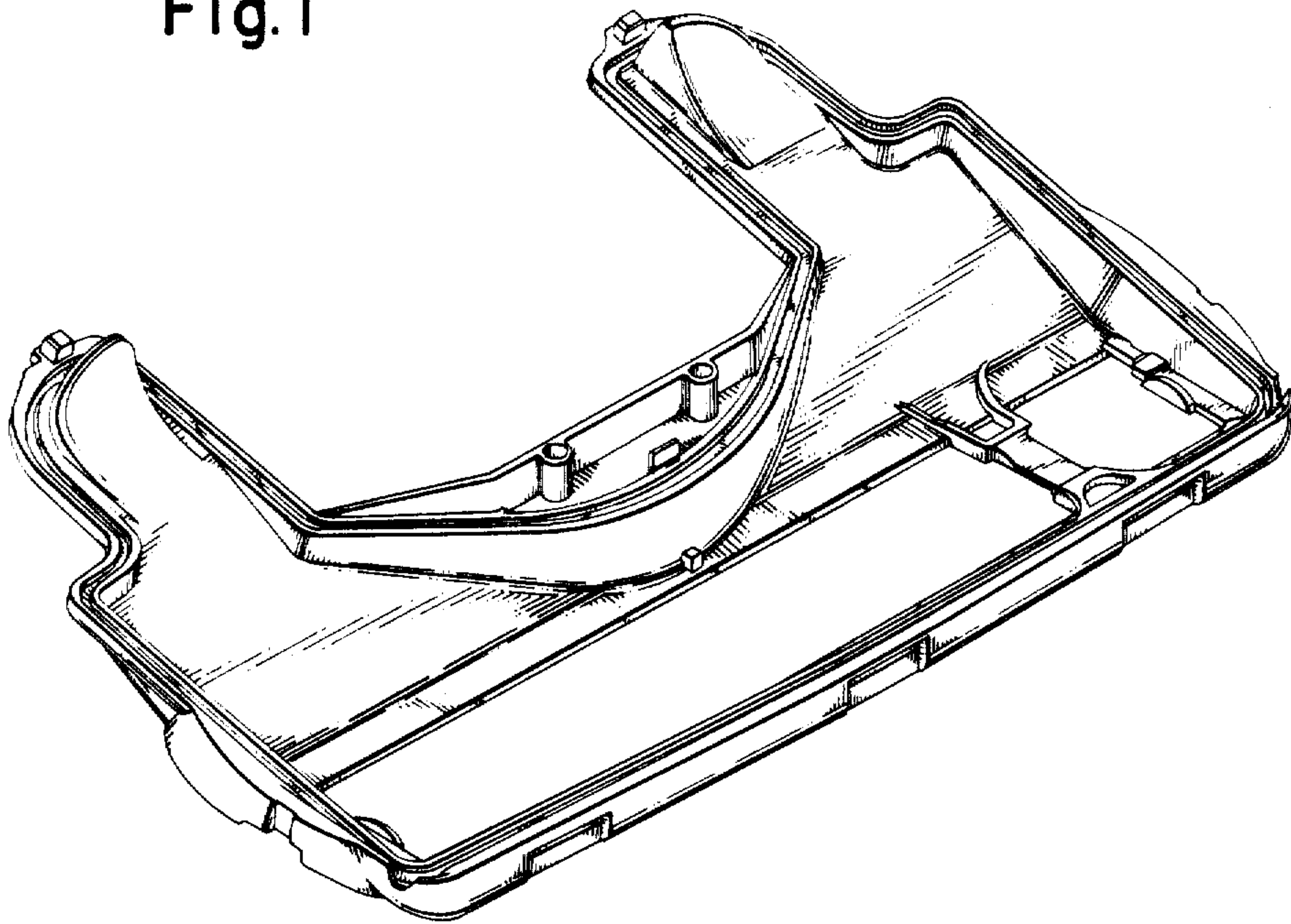


Fig. 2

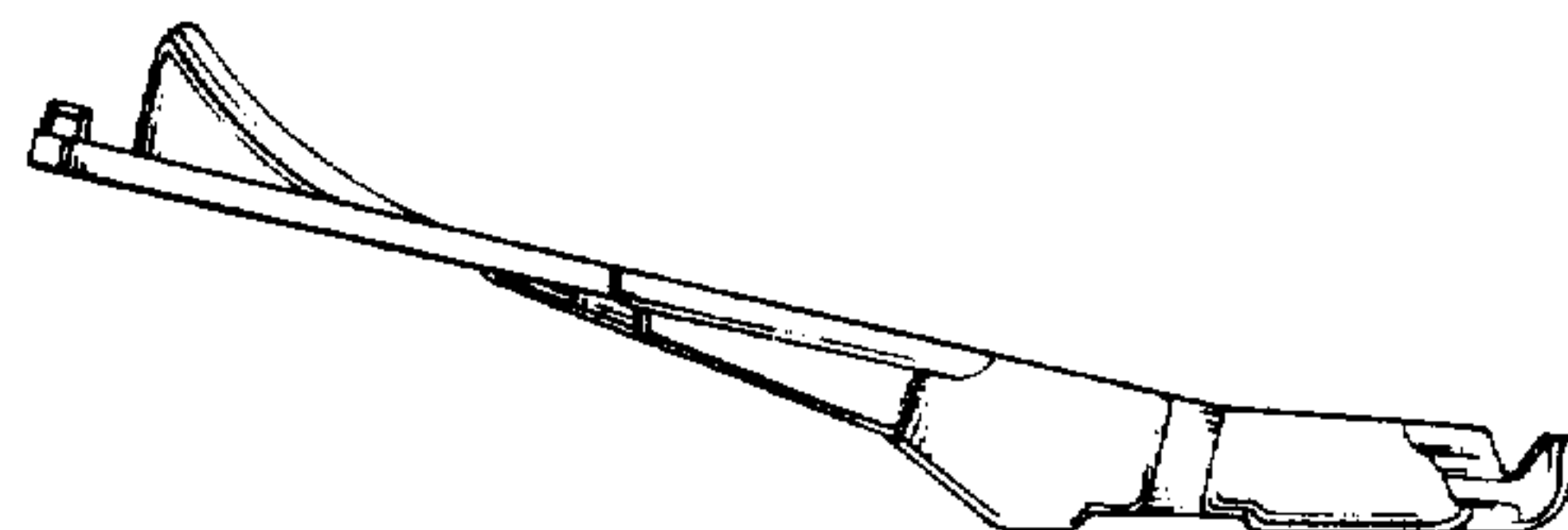


Fig. 3