

[54] VACUUM CLEANER

[75] Inventor: Tönis Käo, Munich, Fed. Rep. of Germany

[73] Assignee: Bosch-Siemens Hausgeräte GmbH, Stuttgart, Fed. Rep. of Germany

[\*\*] Term: 14 Years

[21] Appl. No.: 656

[22] Filed: Jan. 2, 1979

[30] Foreign Application Priority Data

Jul. 3, 1978 [DE] Fed. Rep. of Germany ..... 4852

[51] Int. Cl. .... D15—05

[52] U.S. Cl. .... D32/22

[58] Field of Search ..... D15/52-55,  
D15/62-64; 15/323, 324, 325, 326, 327

[56] References Cited

U.S. PATENT DOCUMENTS

D. 211,282 6/1968 Schaefer ..... D15/53  
D. 233,930 12/1974 Yoshida ..... D15/53  
D. 234,334 2/1975 Mims ..... D15/53  
3,854,164 12/1974 Schmitz ..... 15/377 X

Primary Examiner—Catherine E. Kemper  
Attorney, Agent, or Firm—Herbert L. Lerner; Laurence A. Greenberg

[57] CLAIM

The ornamental design for the vacuum cleaner, as shown.

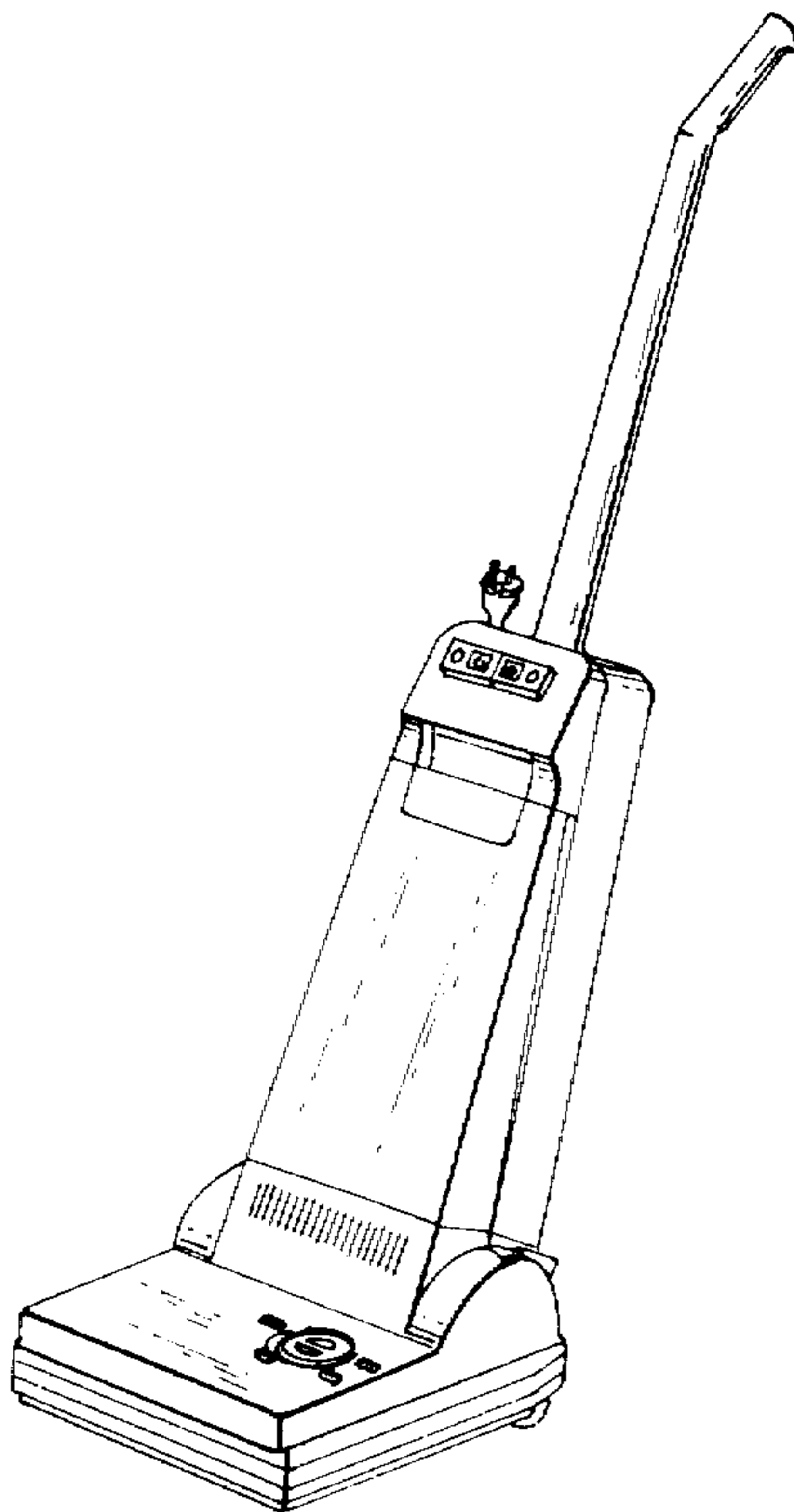
DESCRIPTION

FIG. 1 is a front perspective view of a vacuum cleaner, showing my new design;

FIG. 2 is a rear elevational view thereof;

FIG. 3 is a top plan view thereof; and

FIG. 4 is a bottom plan view thereof.



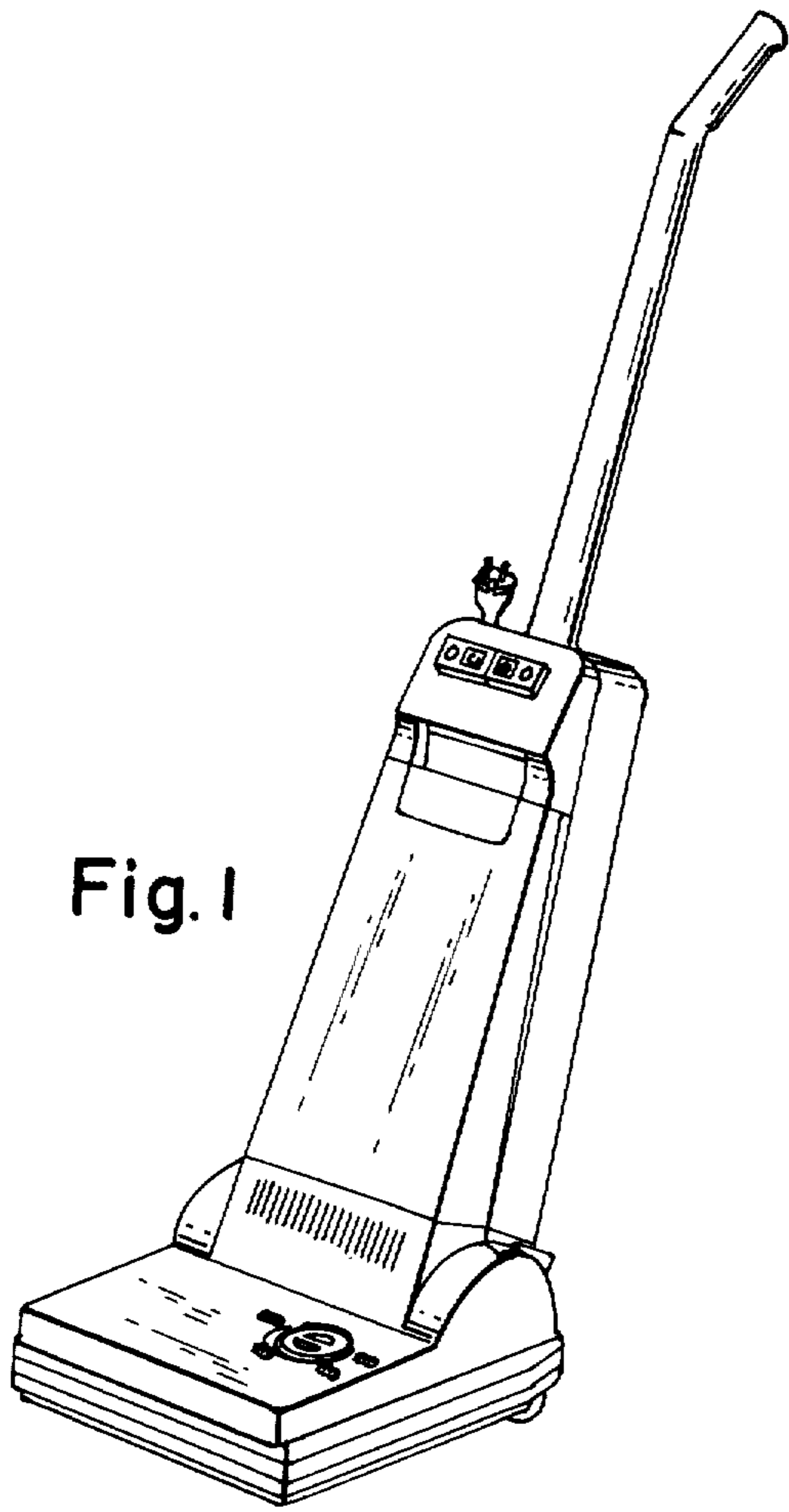


Fig. 1

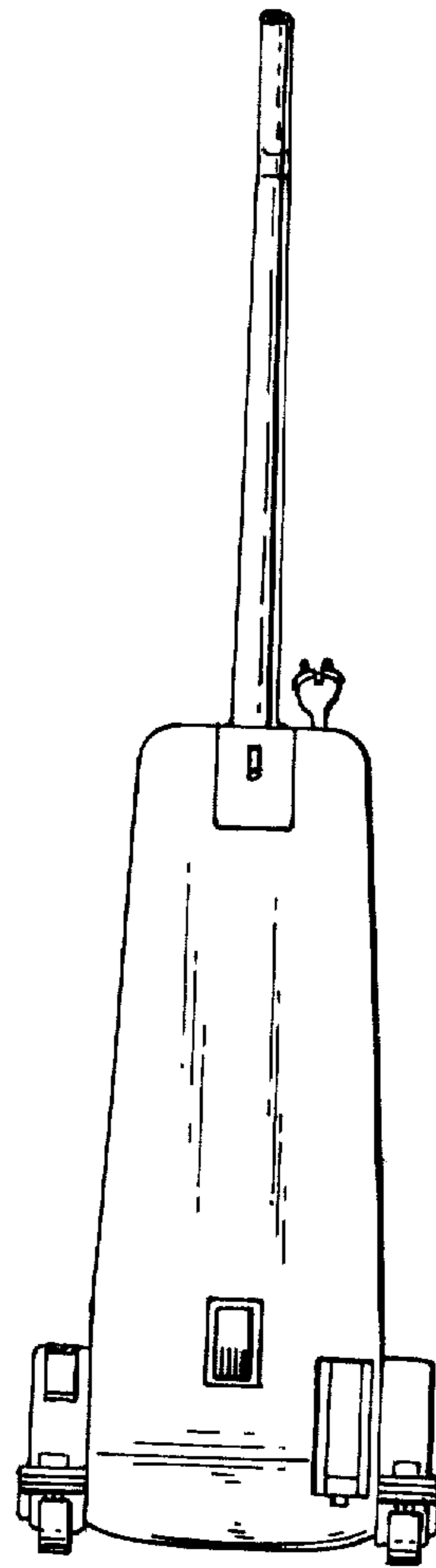


Fig. 2

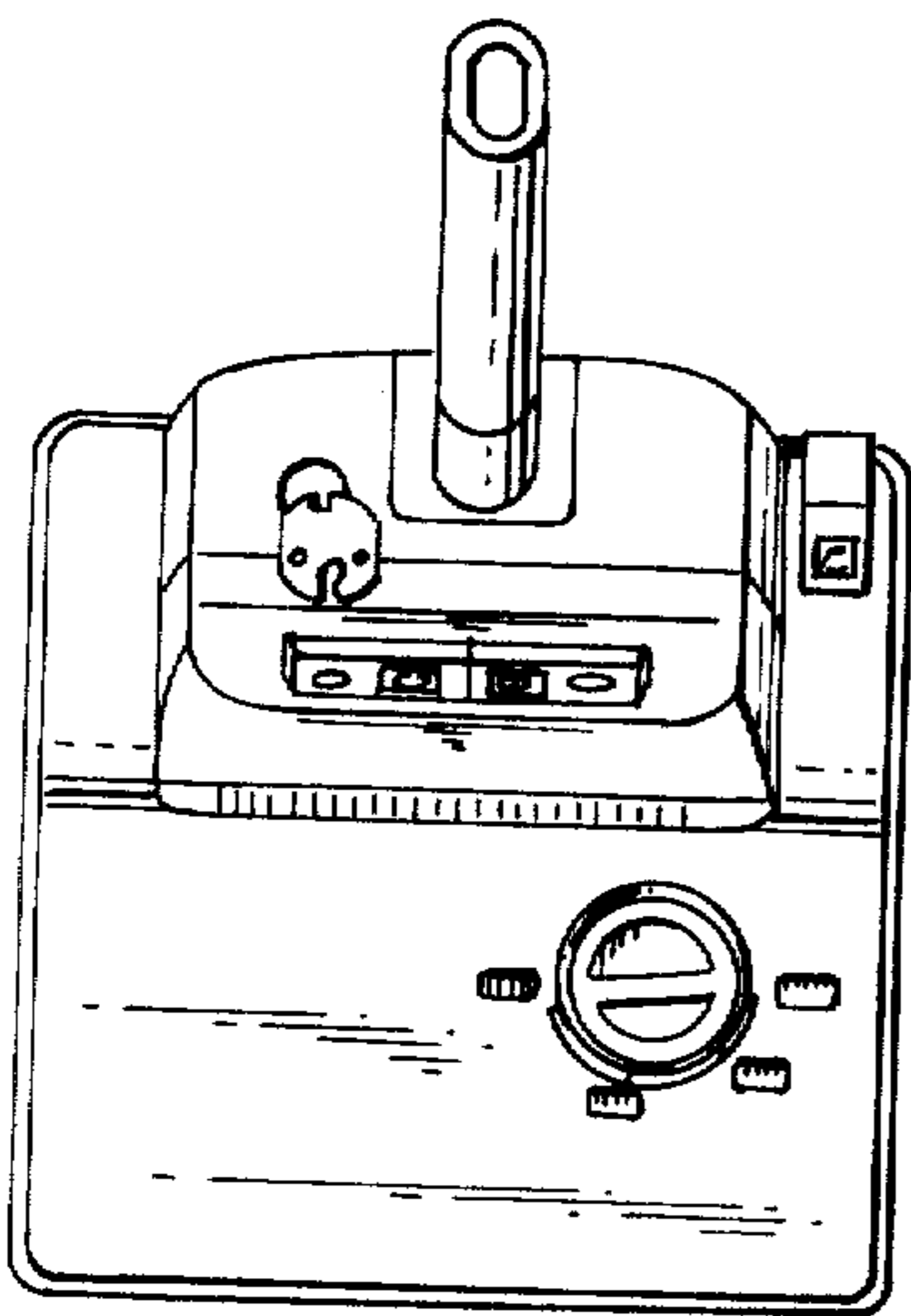


Fig. 3

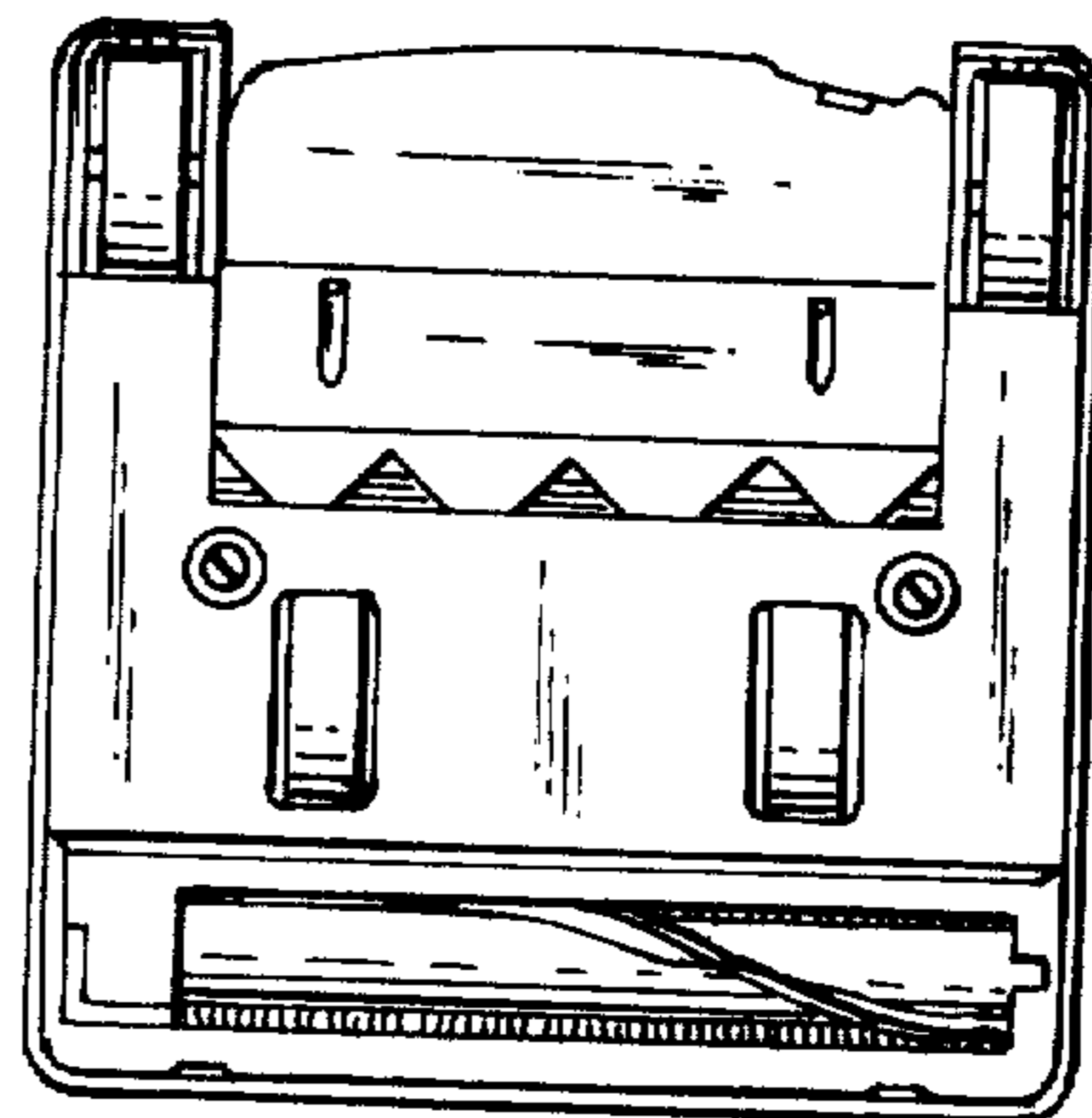


Fig. 4