

[54] SNOW THROWER HOUSING

[75] Inventors: Robert Chieda; Robert W. Johnson, both of Westport, Conn.; Douglas W. Smith, Oakland, N.J.; Eugene J. Casey, Jr., Rowayton, Conn.

[73] Assignee: The Toro Company, Minneapolis, Minn.

[\*\*] Term: 14 Years

[21] Appl. No.: 112,539

[22] Filed: Jan. 16, 1980

[51] Int. Cl. .... D8-05

[52] U.S. Cl. .... D15/12

[58] Field of Search ..... D15/11, 12; D8/8; 37/43 R, 43 A, 43 B, 43 D, 43 E, 43 H, 43 K

[56] References Cited

U.S. PATENT DOCUMENTS

D. 233,820 12/1974 Bartasevich, Jr. et al. .... D8/8

OTHER PUBLICATIONS

The Toro Guide to Snow Throwers, p. 11, the Snow Hound & 14" Snow Pup, center of page.

Primary Examiner—James M. Gandy  
Attorney, Agent, or Firm—Joseph P. Martin

[57] CLAIM

The ornamental design for a snow thrower housing, as shown and described.

DESCRIPTION

FIG. 1 is a perspective view of a snow thrower housing embodying our new design;

FIG. 2 is a left side elevational view thereof;

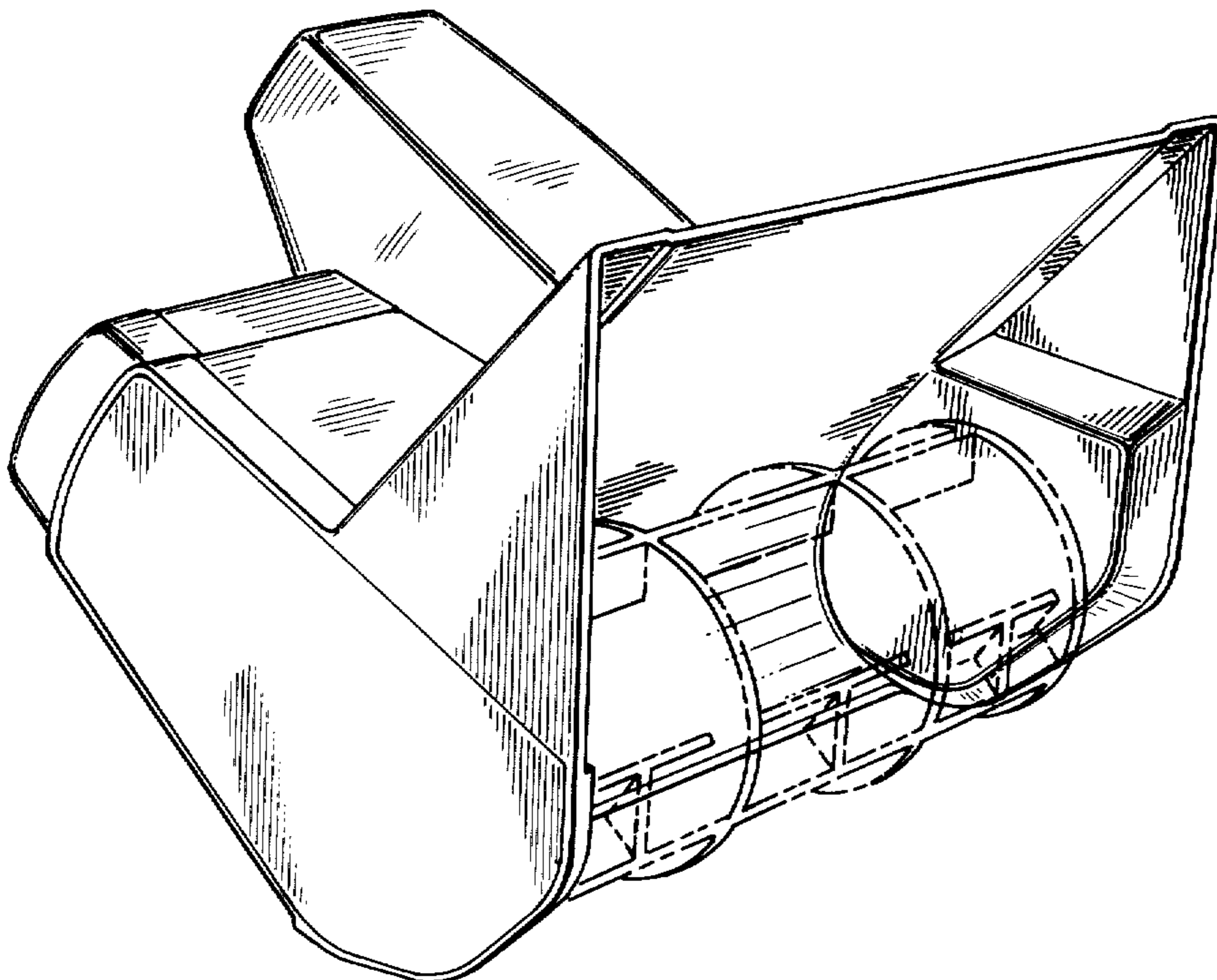
FIG. 3 is a front elevational view thereof;

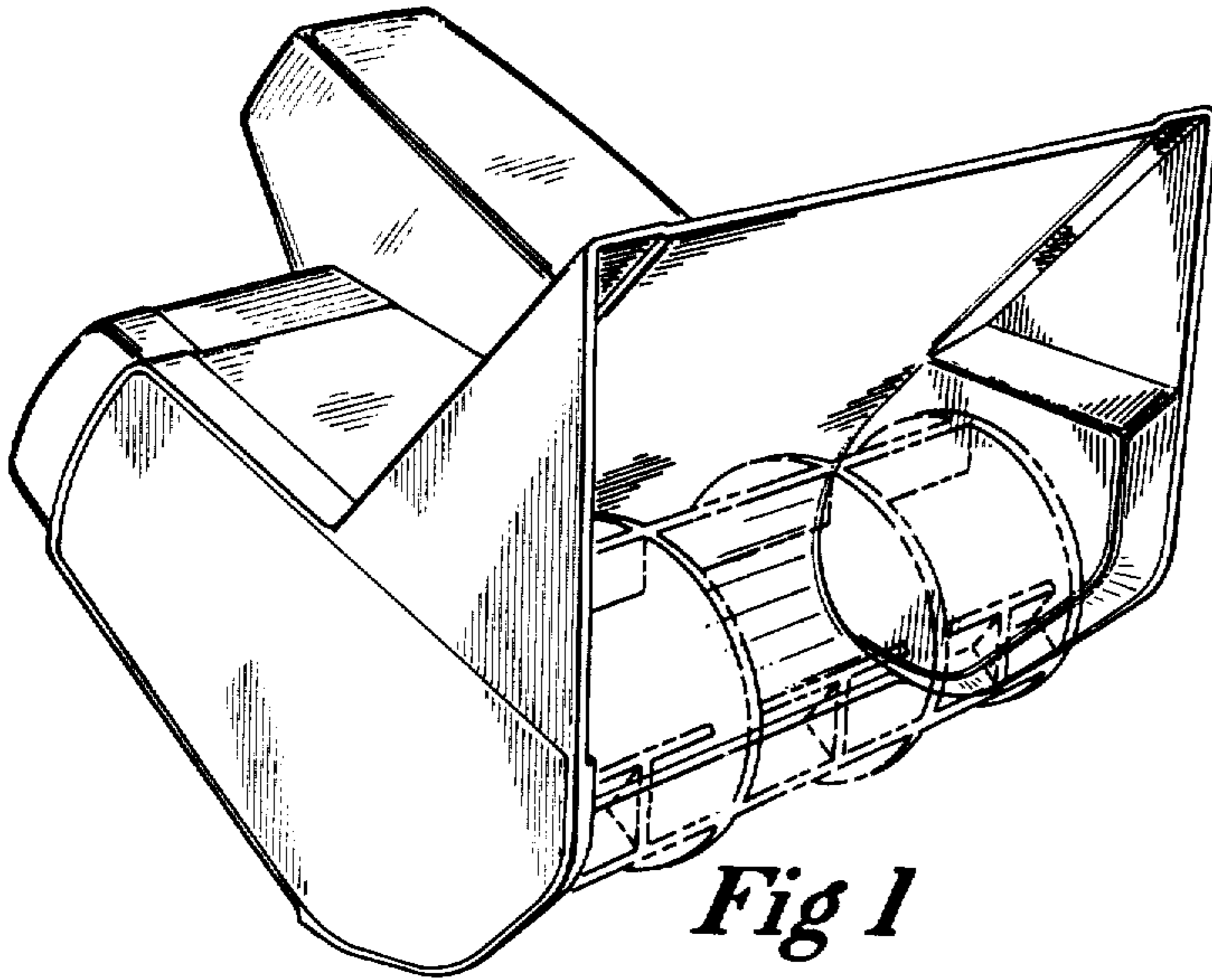
FIG. 4 is a top plan view thereof;

FIG. 5 is a bottom plan view thereof; and

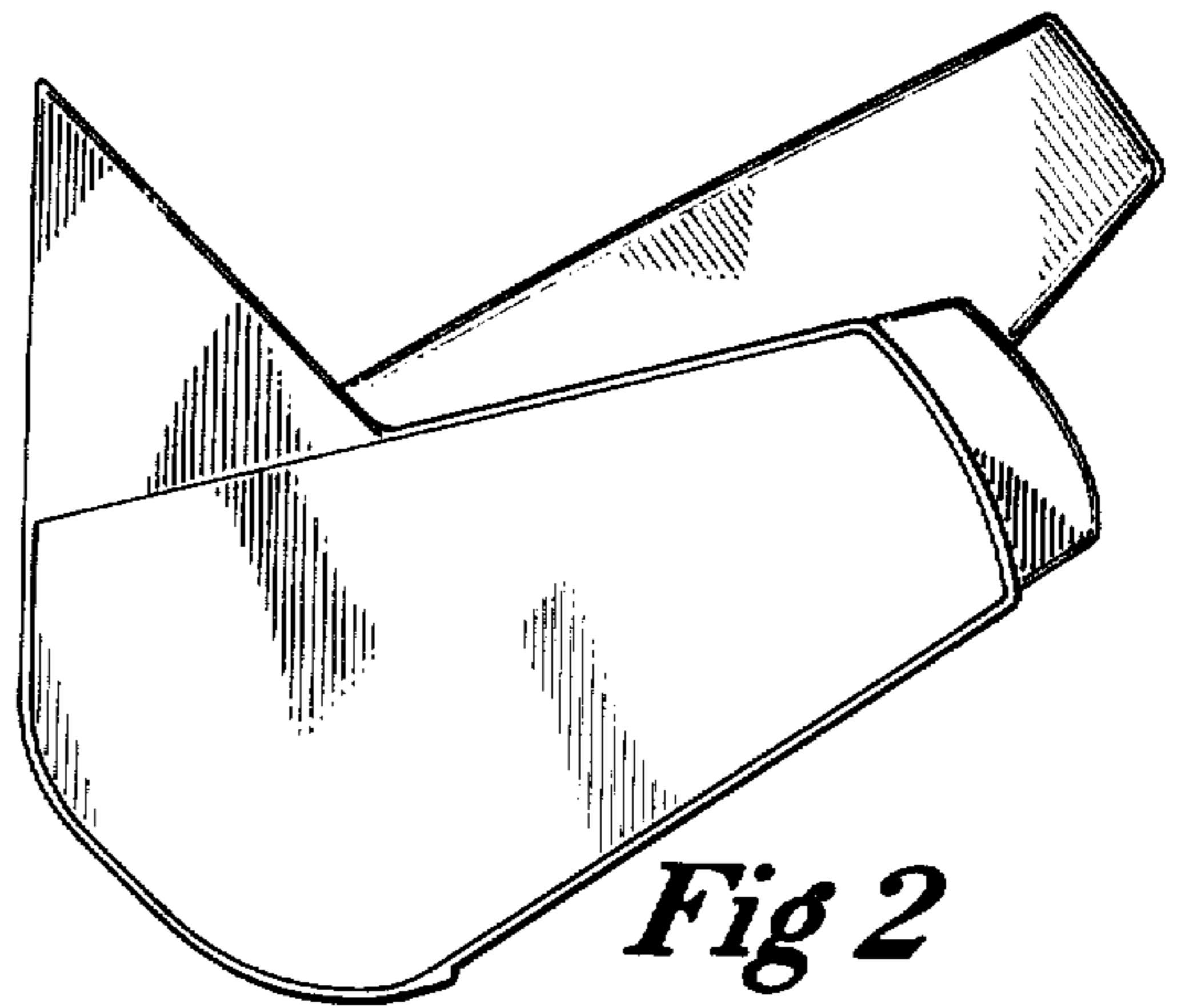
FIG. 6 is a rear elevational view thereof.

The broken lines in FIG 1 of the drawings are for illustrative purposes only.

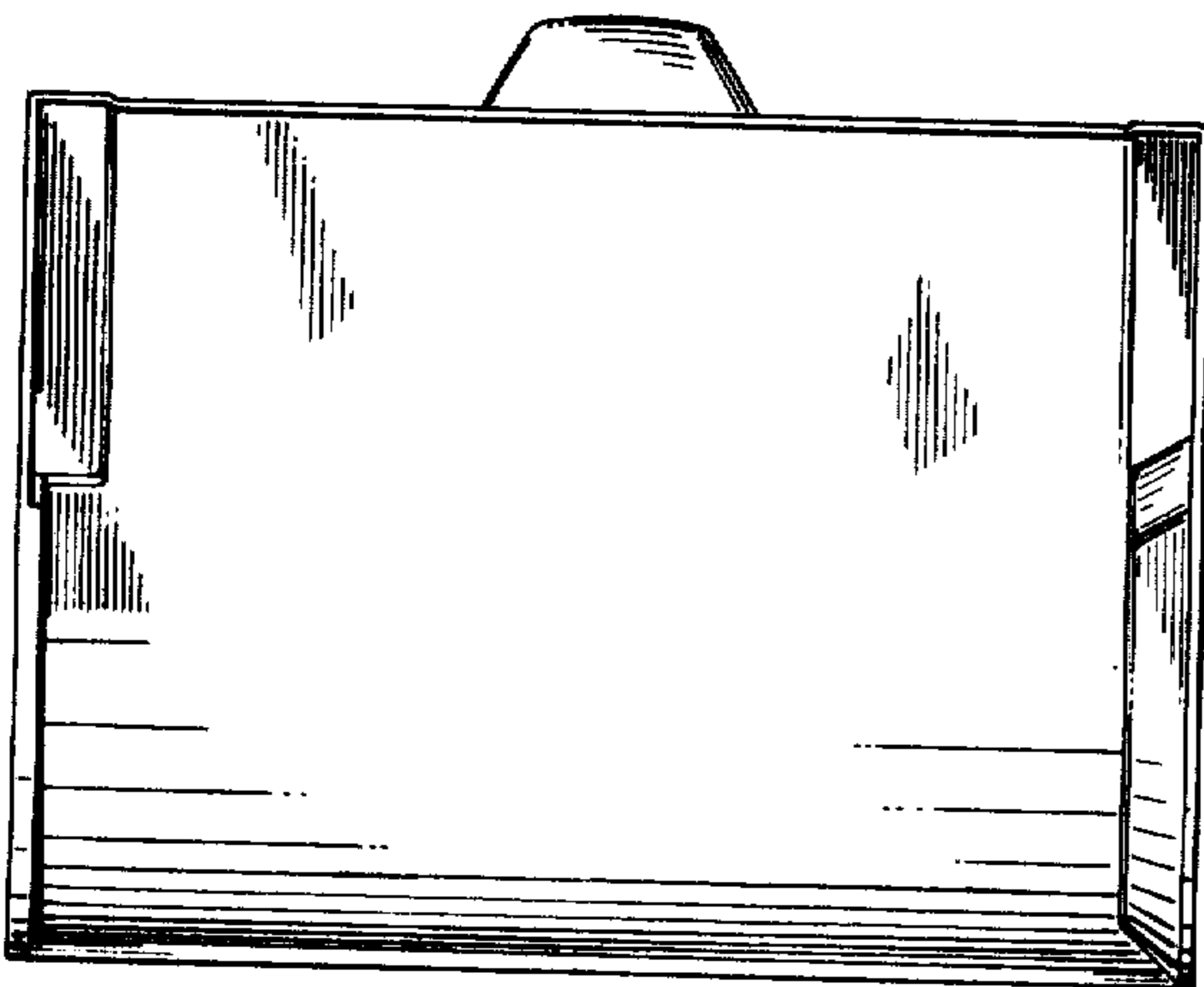




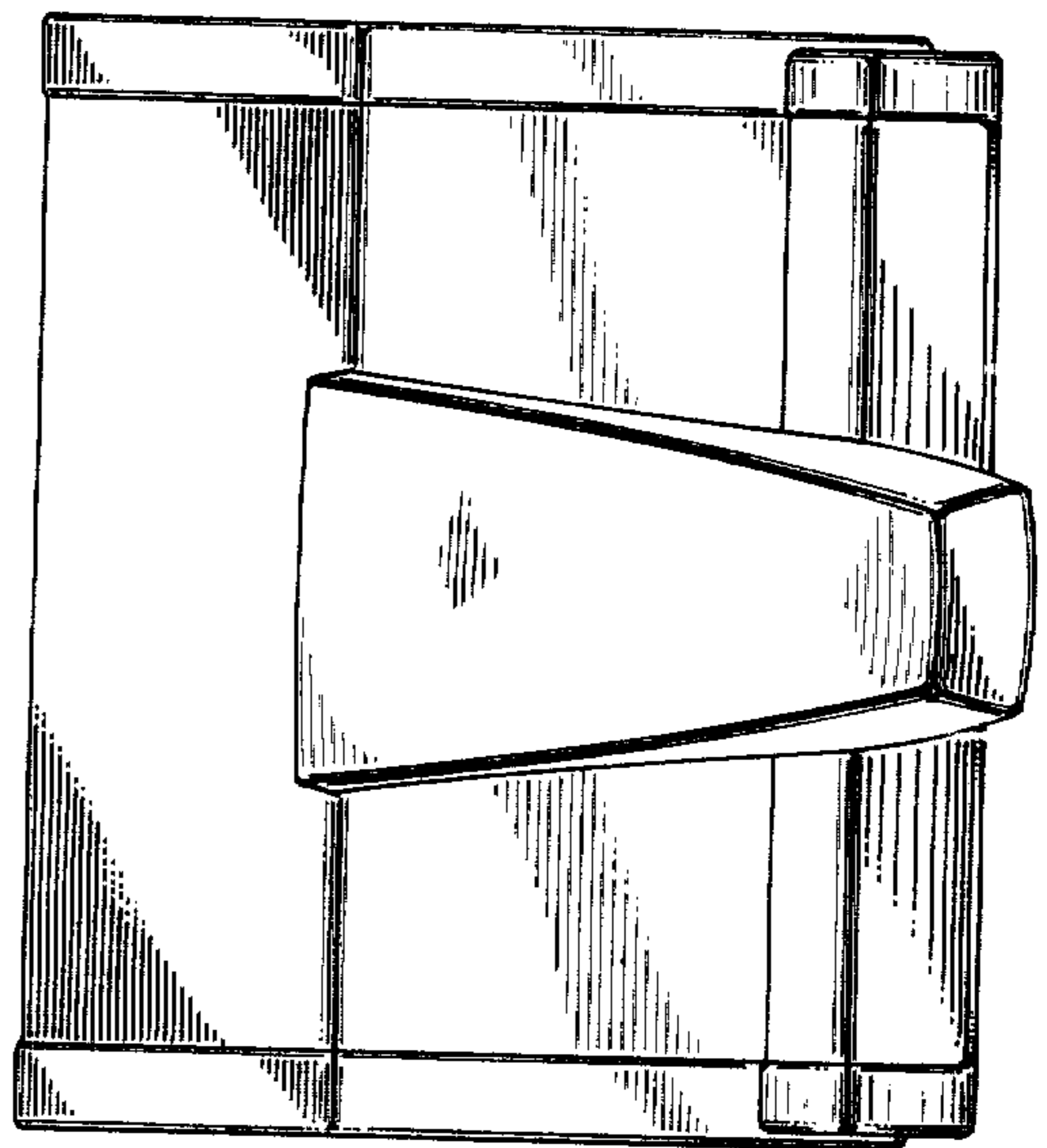
*Fig 1*



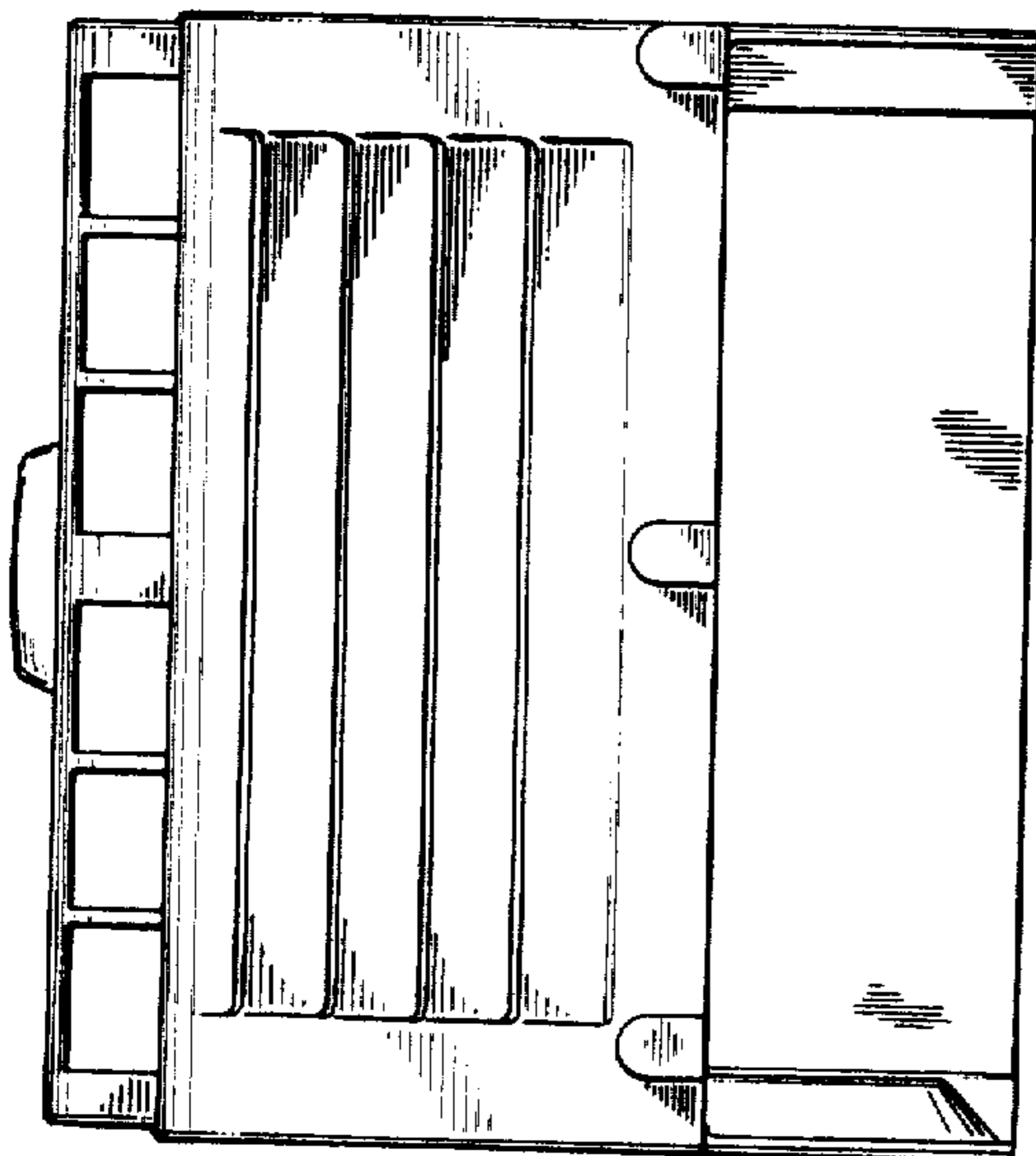
*Fig 2*



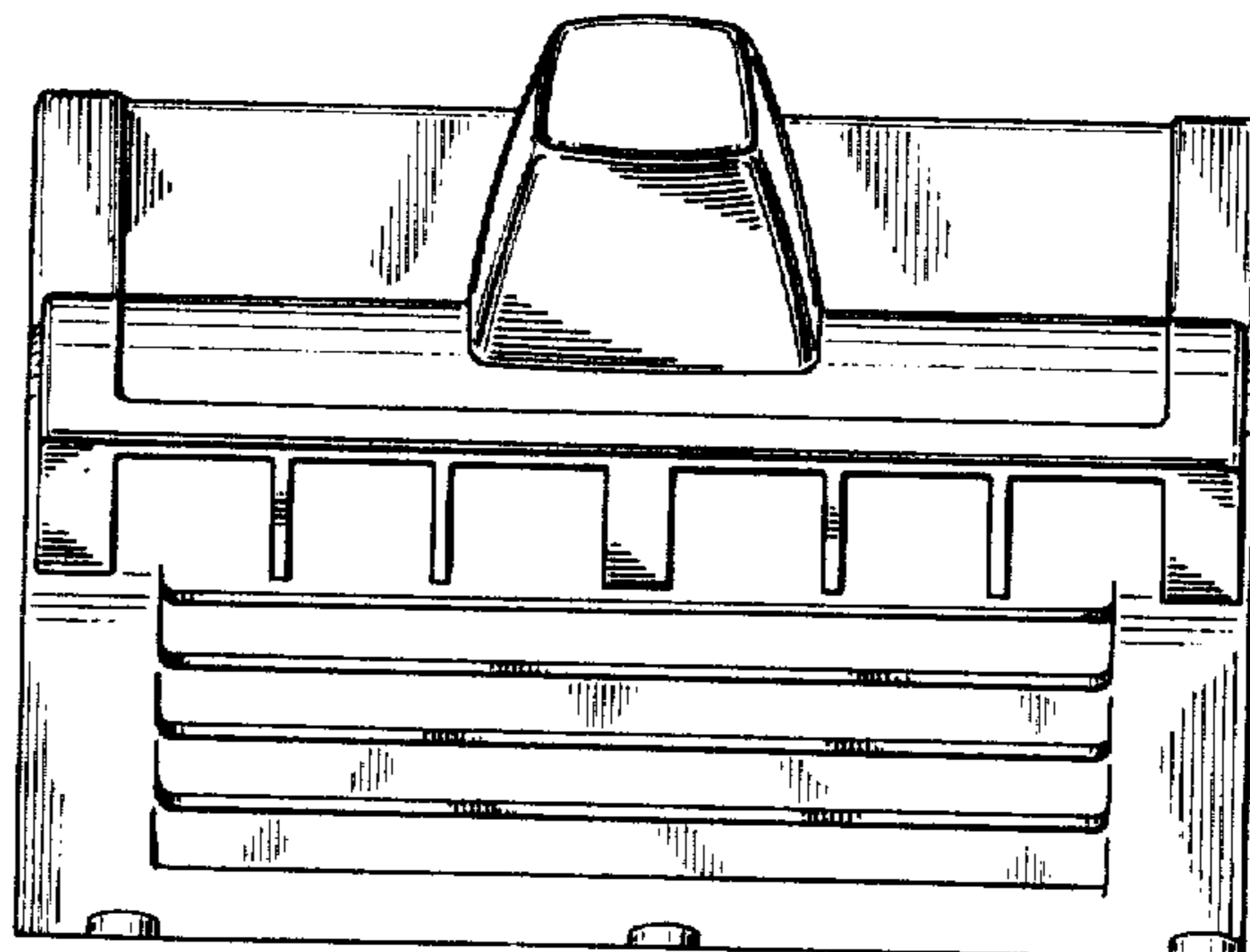
*Fig 3*



*Fig 4*



*Fig 5*



*Fig 6*