

[54] TELEVISION CAMERA
[75] Inventor: Konrad Ellermeier, Valkenswaard,
Netherlands
[73] Assignee: U.S. Philips Corporation, New York,
N.Y.
[**] Term: 14 Years
[21] Appl. No.: 895,931
[22] Filed: Apr. 13, 1978
[30] Foreign Application Priority Data

Oct. 17, 1977 [XB] Benelux 52225-00

[51] Int. Cl. D14-03
[52] U.S. Cl. D14/78
[58] Field of Search D14/78; D16/1-10

[56] References Cited

U.S. PATENT DOCUMENTS

D. 136,971 1/1944 Cunningham D16/3
D. 223,410 4/1972 Larson D14/78

D. 244,933 7/1977 Yatabe D16/4
3,242,840 3/1966 Kremp et al. D16/4

OTHER PUBLICATIONS

Form, 1-76, p. 43.

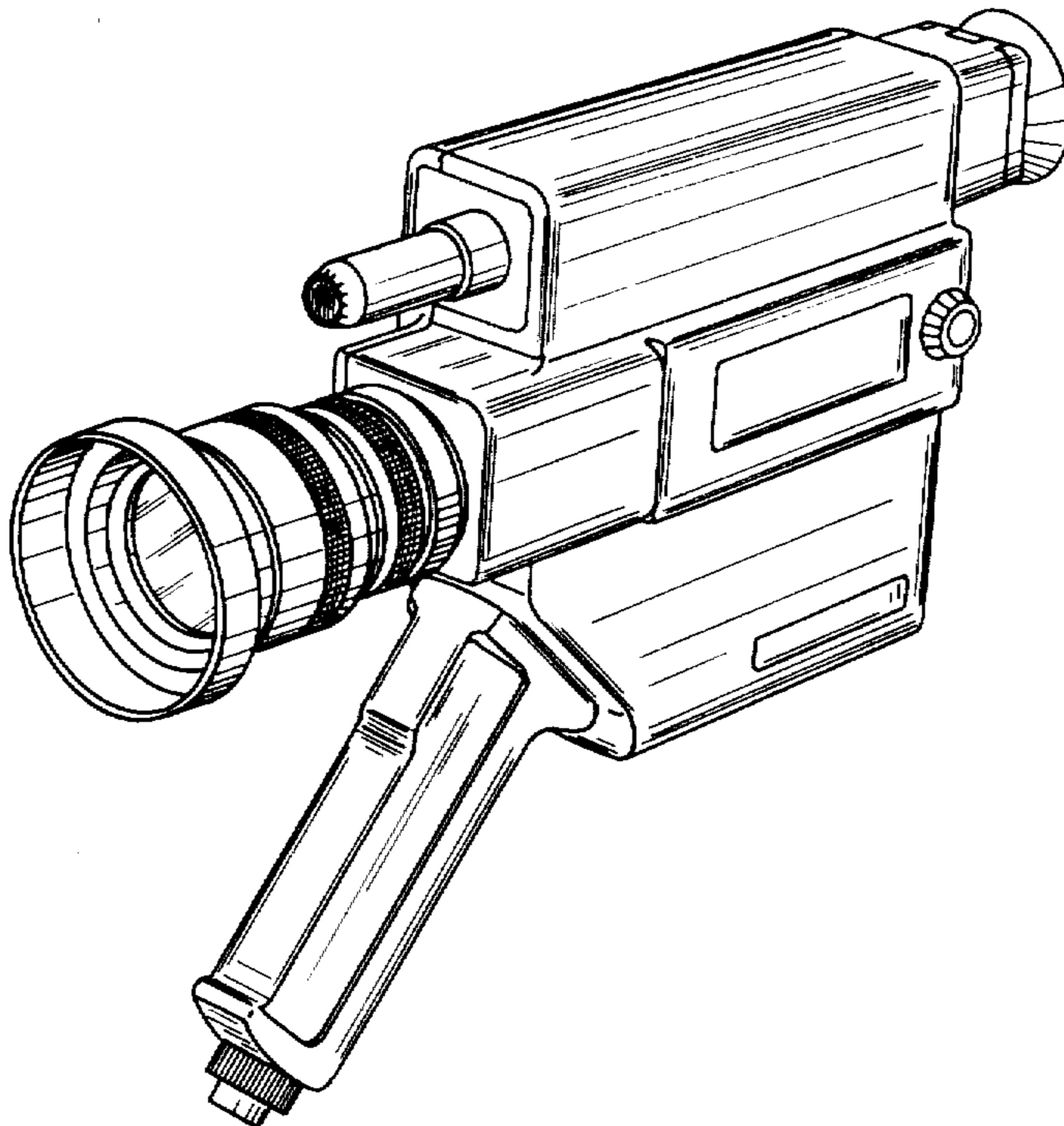
Primary Examiner—Jane E. Corrigan
Attorney, Agent, or Firm—Thomas A. Briody; William
J. Streeter; Rolf E. Schneider

[57] CLAIM

The ornamental design for a television camera, as
shown.

DESCRIPTION

FIG. 1 is a front, top and right side perspective view of
a television camera showing my new design;
FIG. 2 is a right side elevational view thereof;
FIG. 3 is a left side elevational view thereof;
FIG. 4 is a front elevational view thereof;
FIG. 5 is a rear elevational view thereof;
FIG. 6 is a top plan view thereof; and
FIG. 7 is a bottom plan view thereof.



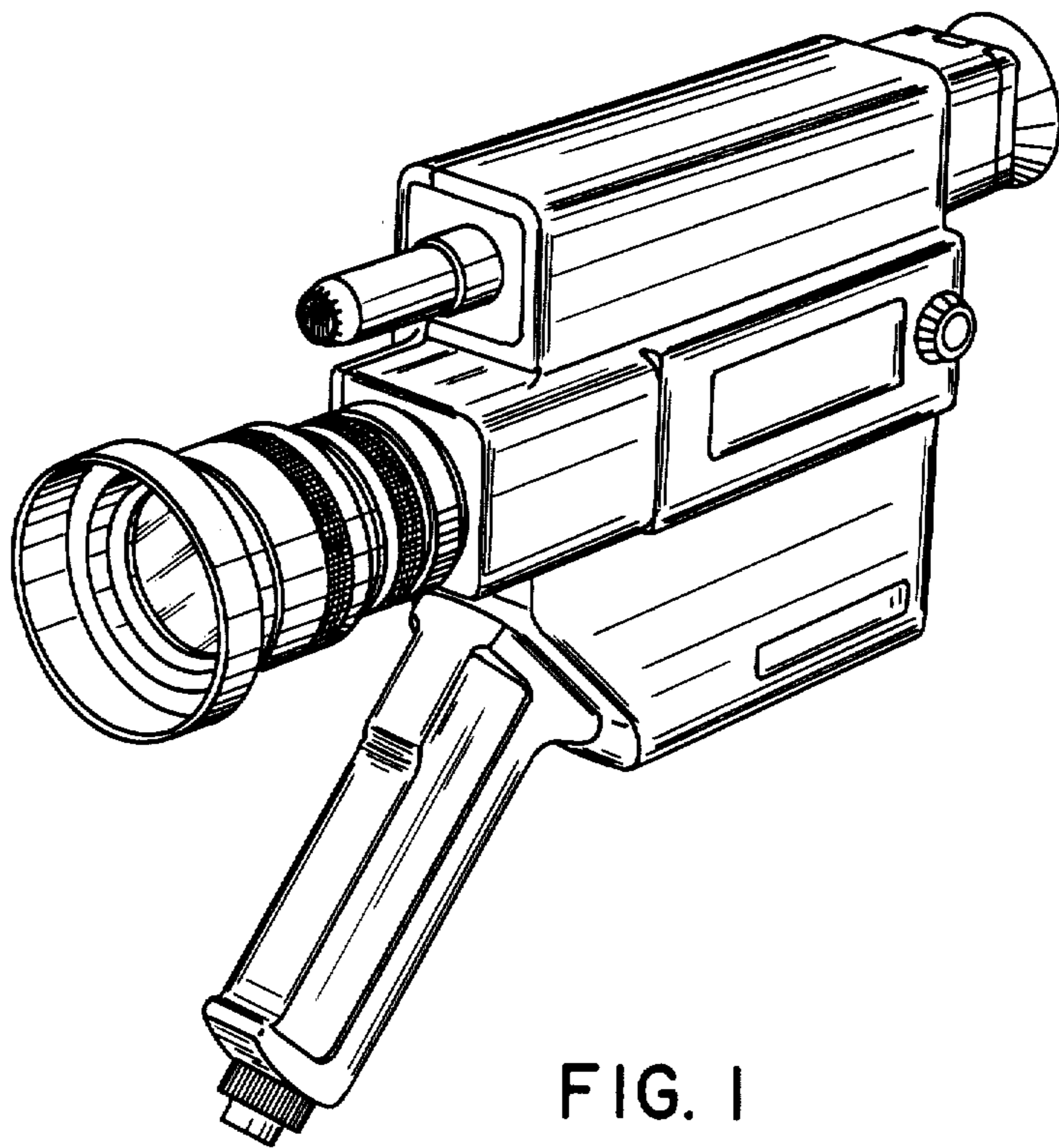


FIG. 1

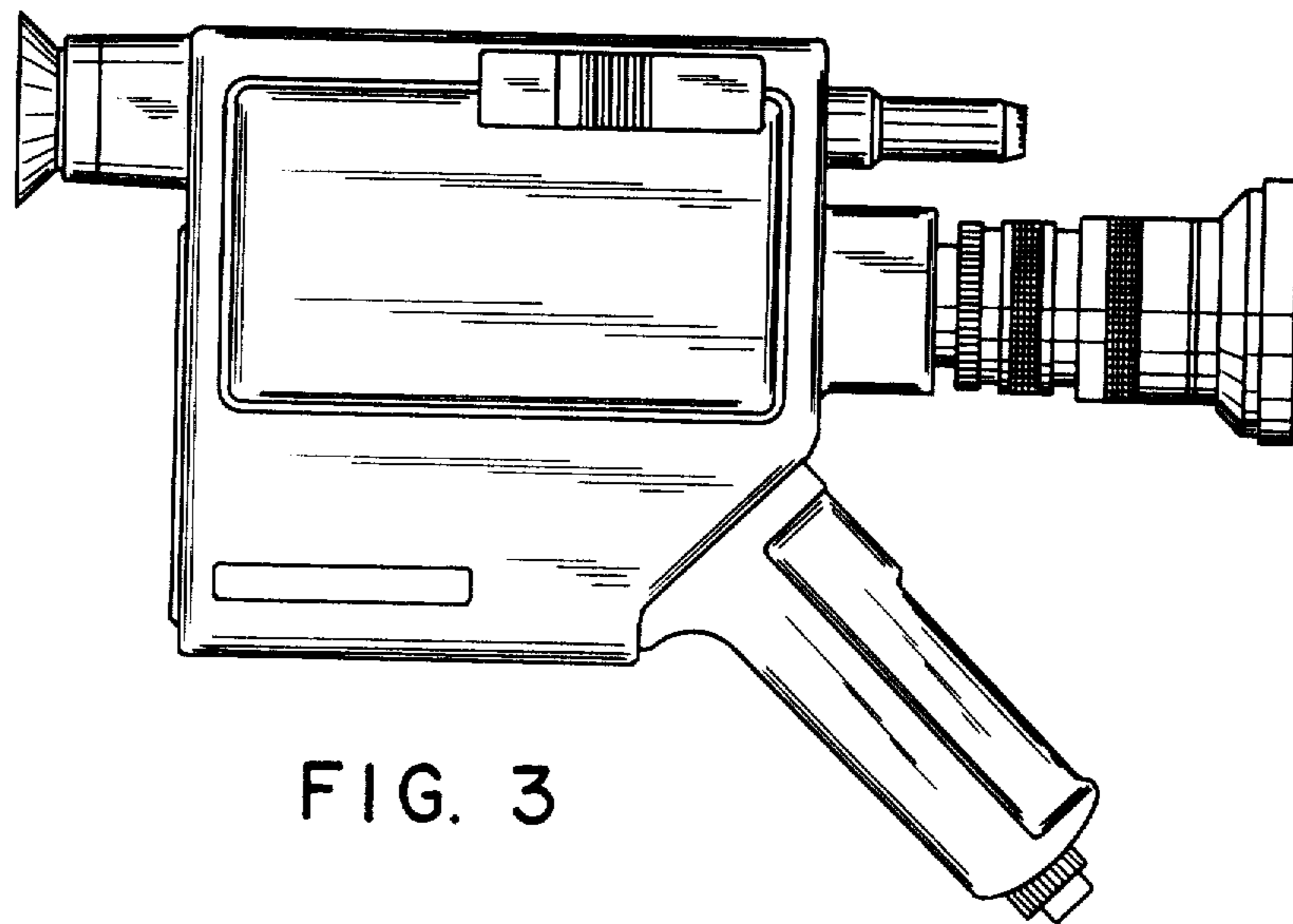
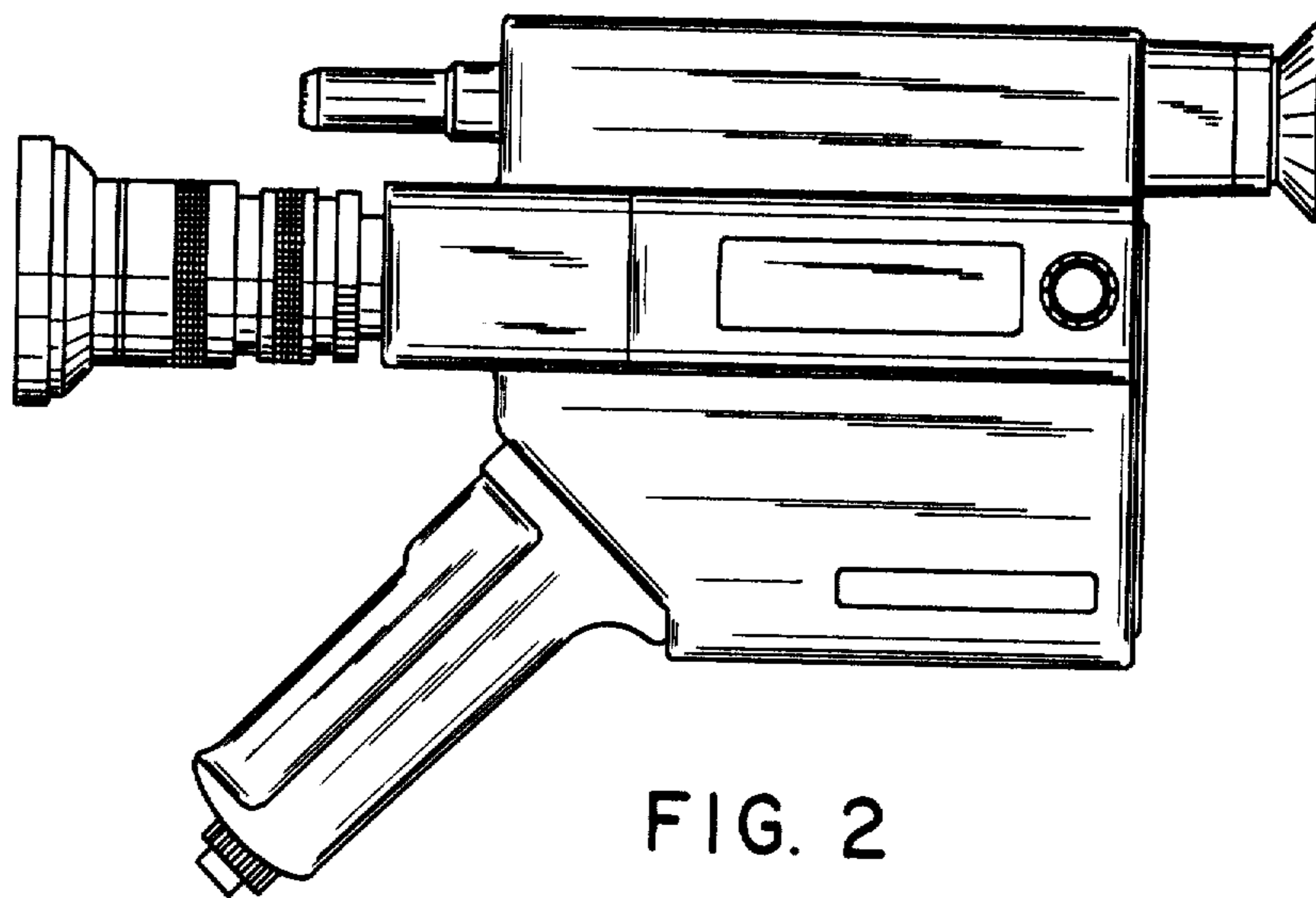


FIG. 4

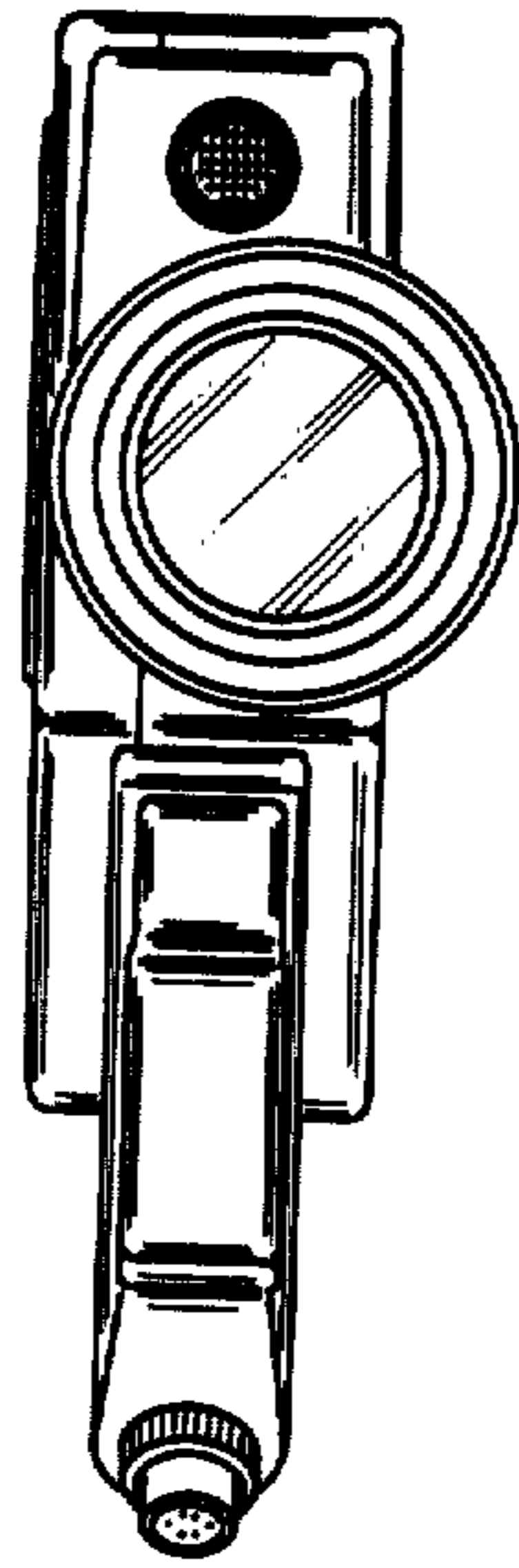


FIG. 5



FIG. 6

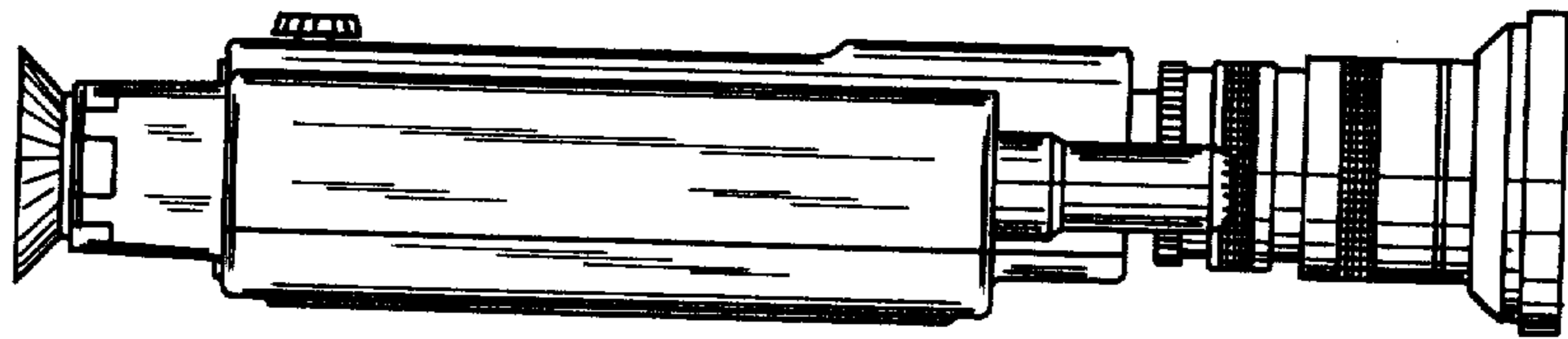


FIG. 7

