

[54] **WEIGHING TRANSDUCER**

[75] Inventor: **Martin Spoor**, Cambridge, Mass.

[73] Assignee: **Bofors America, Inc.**, Edison, N.J.

[**] Term: **14 Years**

[21] Appl. No.: **954,908**

[22] Filed: **Oct. 26, 1978**

[51] Int. Cl. **D13-99**

[52] U.S. Cl. **D13/99**

[58] Field of Search **D13/99, 21; D10/103, D10/89, 90, 94, 95; 177/210 R, 210 EM, 211; 73/774, 775, 781, 779, 763; 338/2, 5, 6**

[56] **References Cited**

U.S. PATENT DOCUMENTS

D. 215,069	8/1969	Chriss	D10/94
2,419,061	4/1947	Emery	73/781 X
2,513,295	7/1950	Eisenberg	338/5 X

2,616,683	11/1952	Le Fevre, Jr.	177/211
2,629,038	2/1953	Dietz	338/2
2,940,314	6/1960	Mahan	338/5 X
3,464,049	8/1969	Webb	338/5

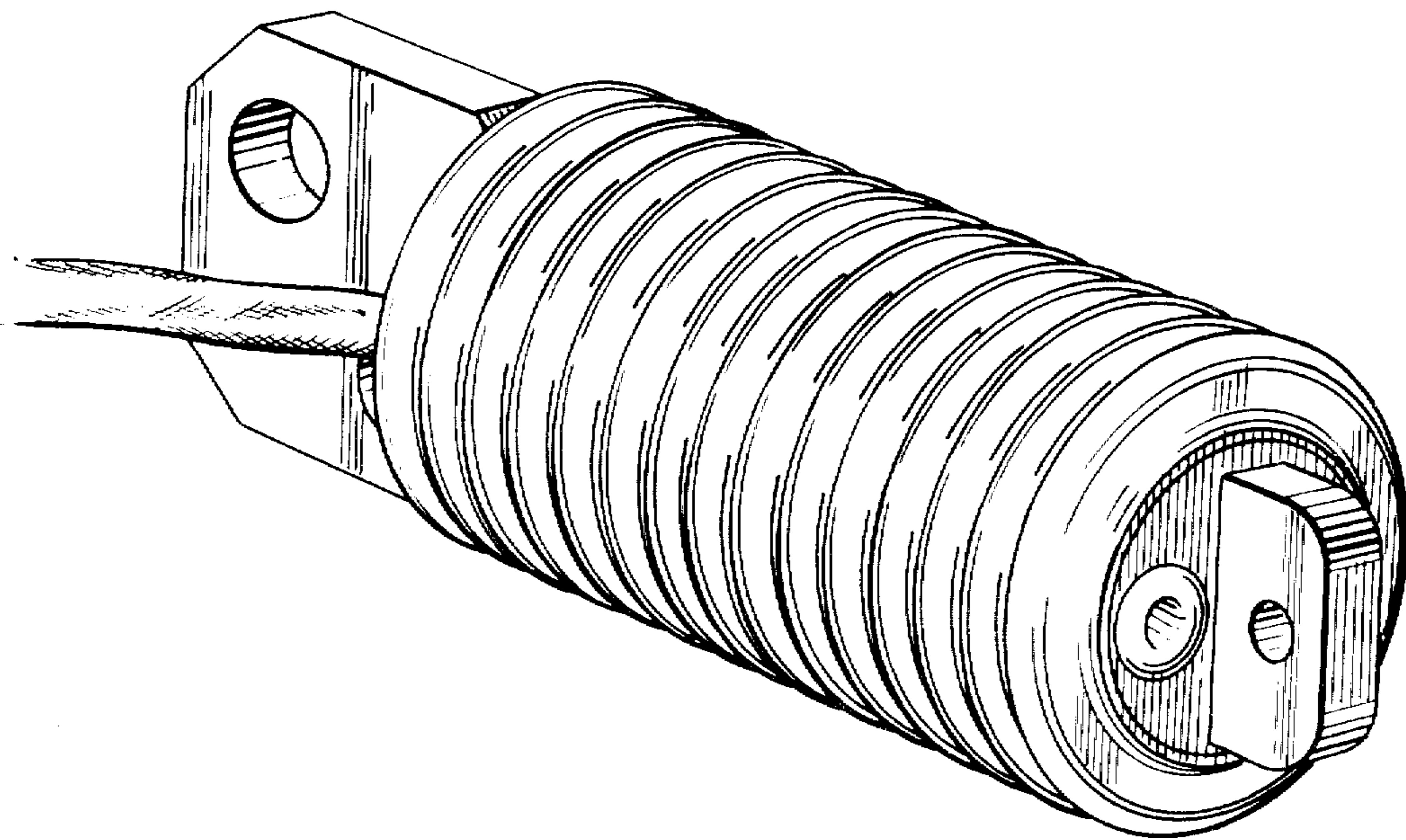
Primary Examiner—Susan J. Lucas
Attorney, Agent, or Firm—James E. Mrose

[57] **CLAIM**

The ornamental design for a weighing transducer, substantially as shown.

DESCRIPTION

FIG. 1 is a perspective view of a weighing transducer showing my new design;
FIG. 2 is a left side elevational view of the same transducer;
FIG. 3 is a top plan view thereof;
FIG. 4 is a front end view thereof;
FIG. 5 is a bottom plan view thereof;
FIG. 6 is a rear end view thereof; and
FIG. 7 is a right side elevational view thereof.



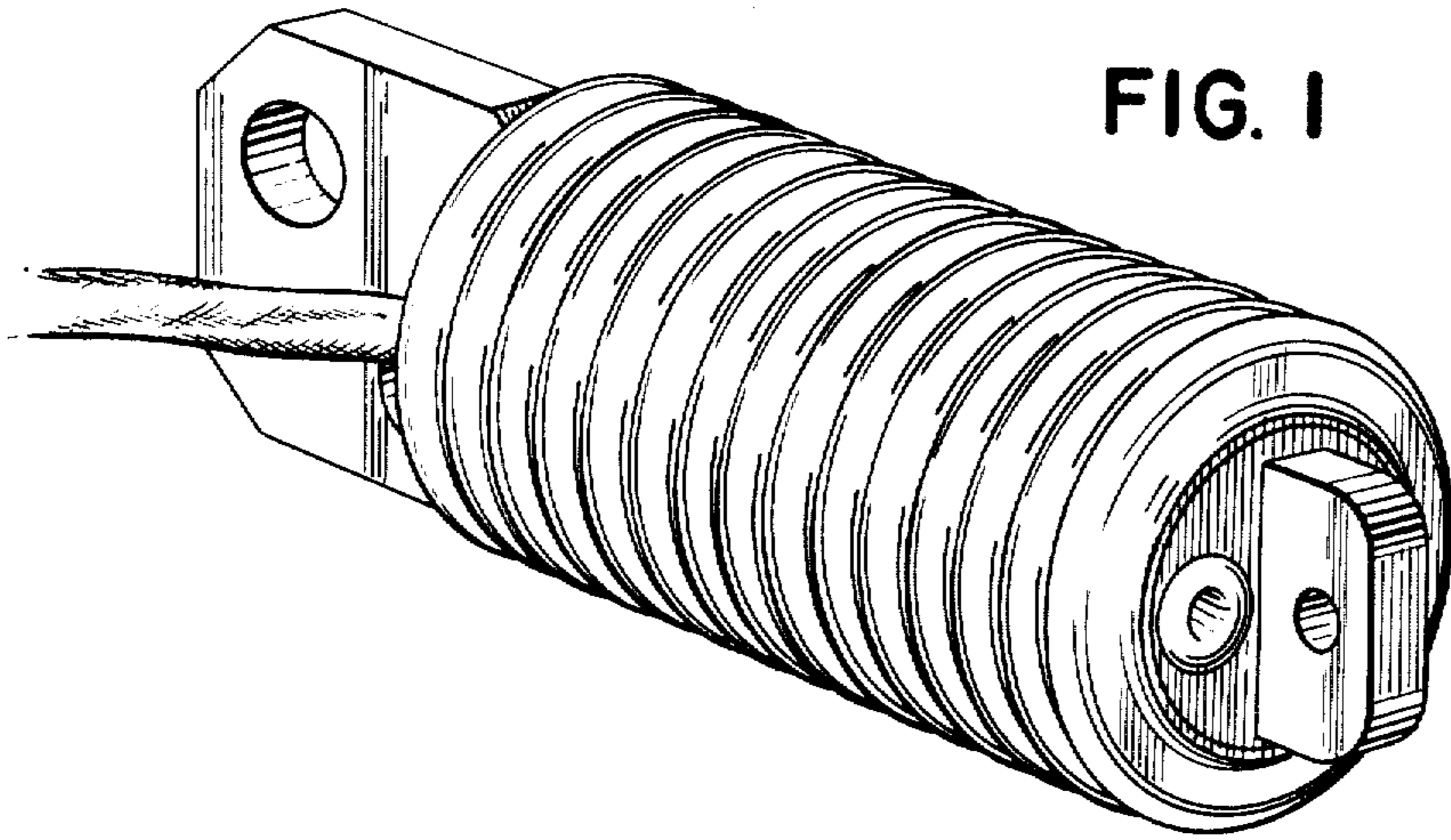


FIG. 1

FIG. 2

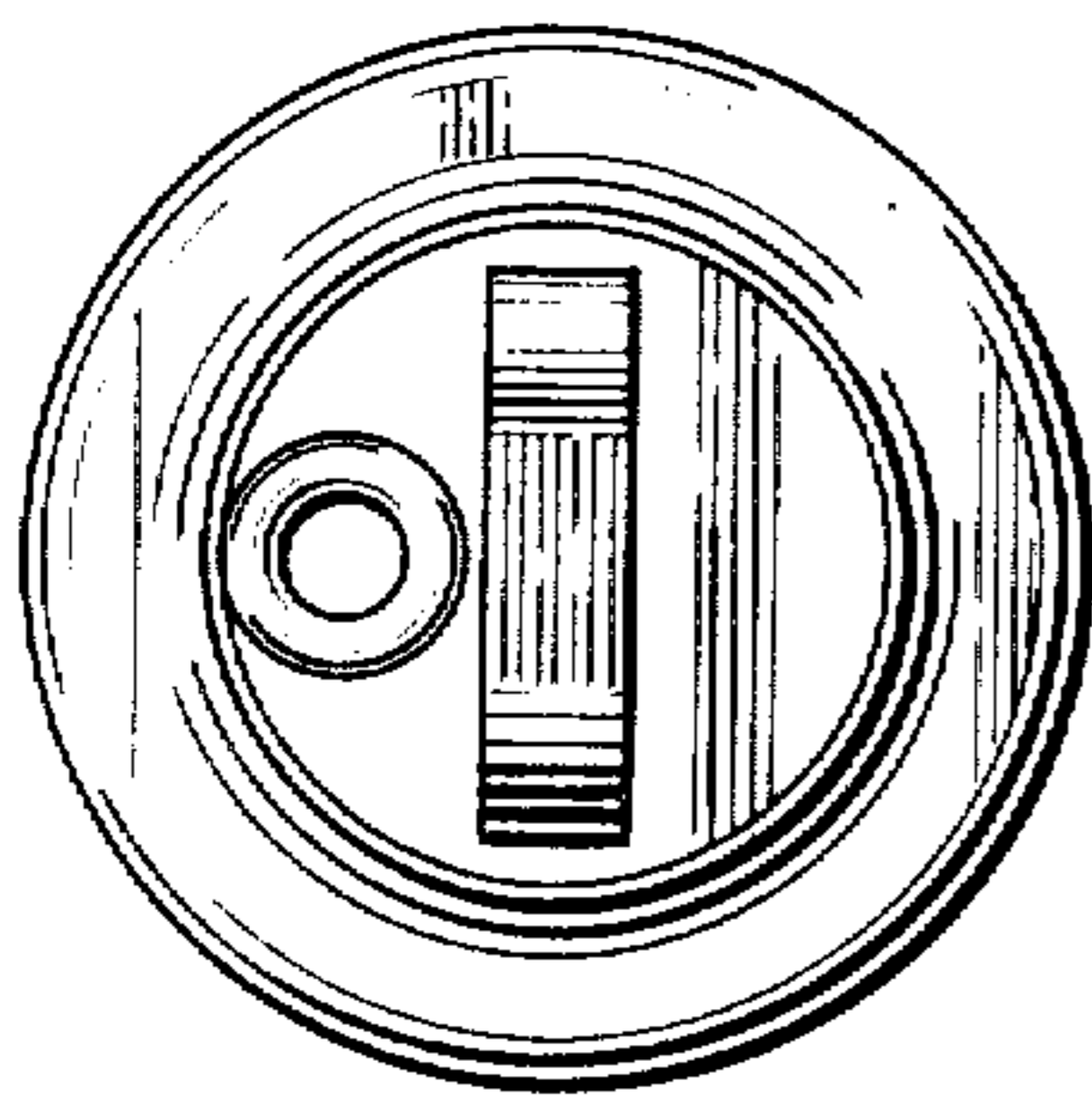
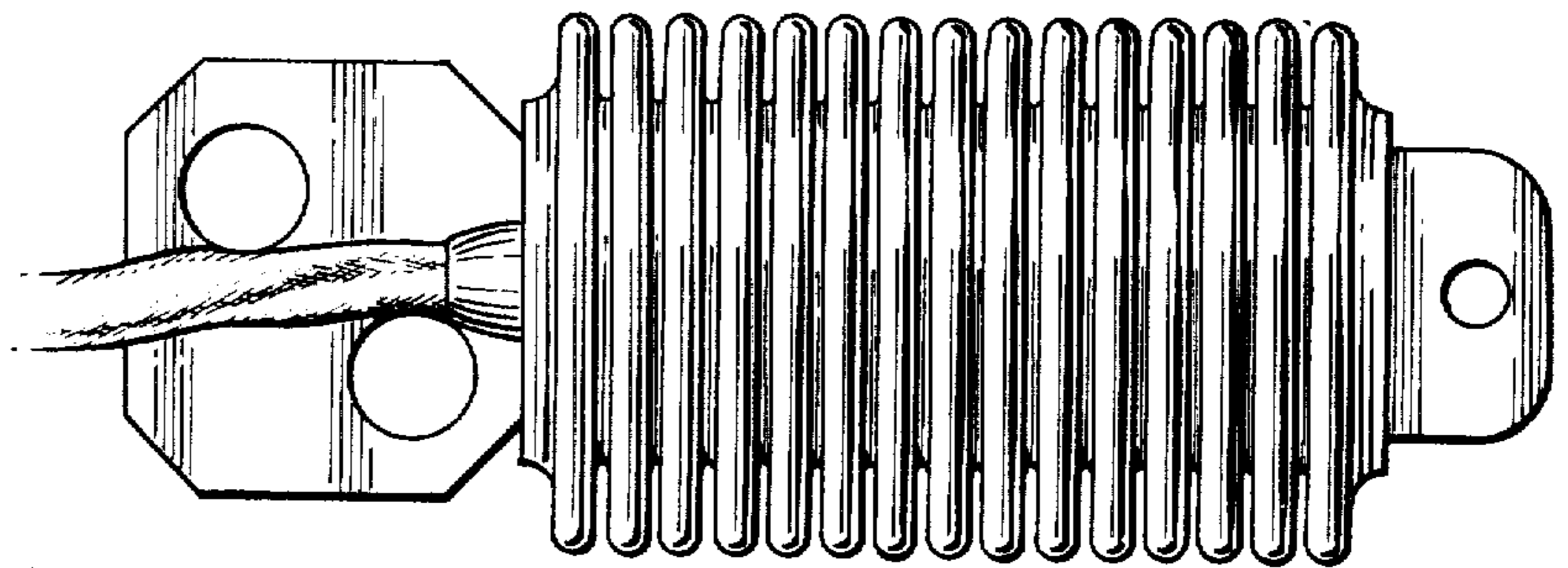


FIG. 4

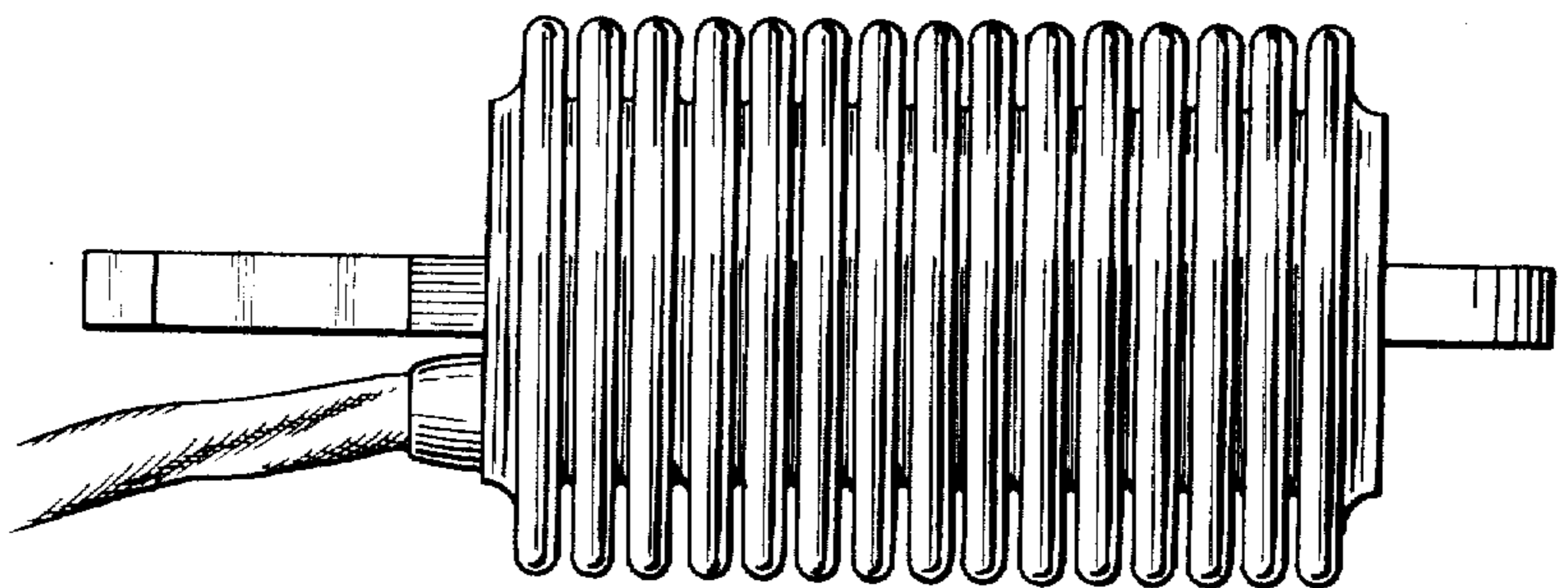


FIG. 3

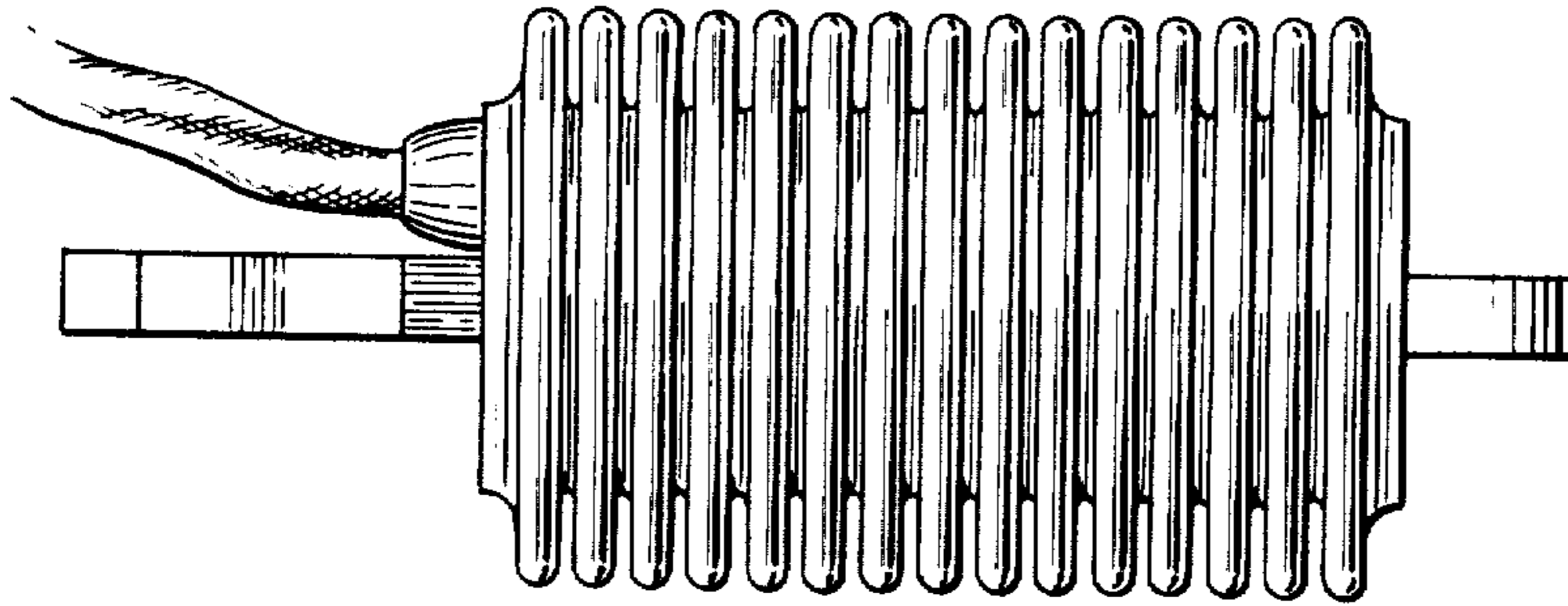


FIG. 5

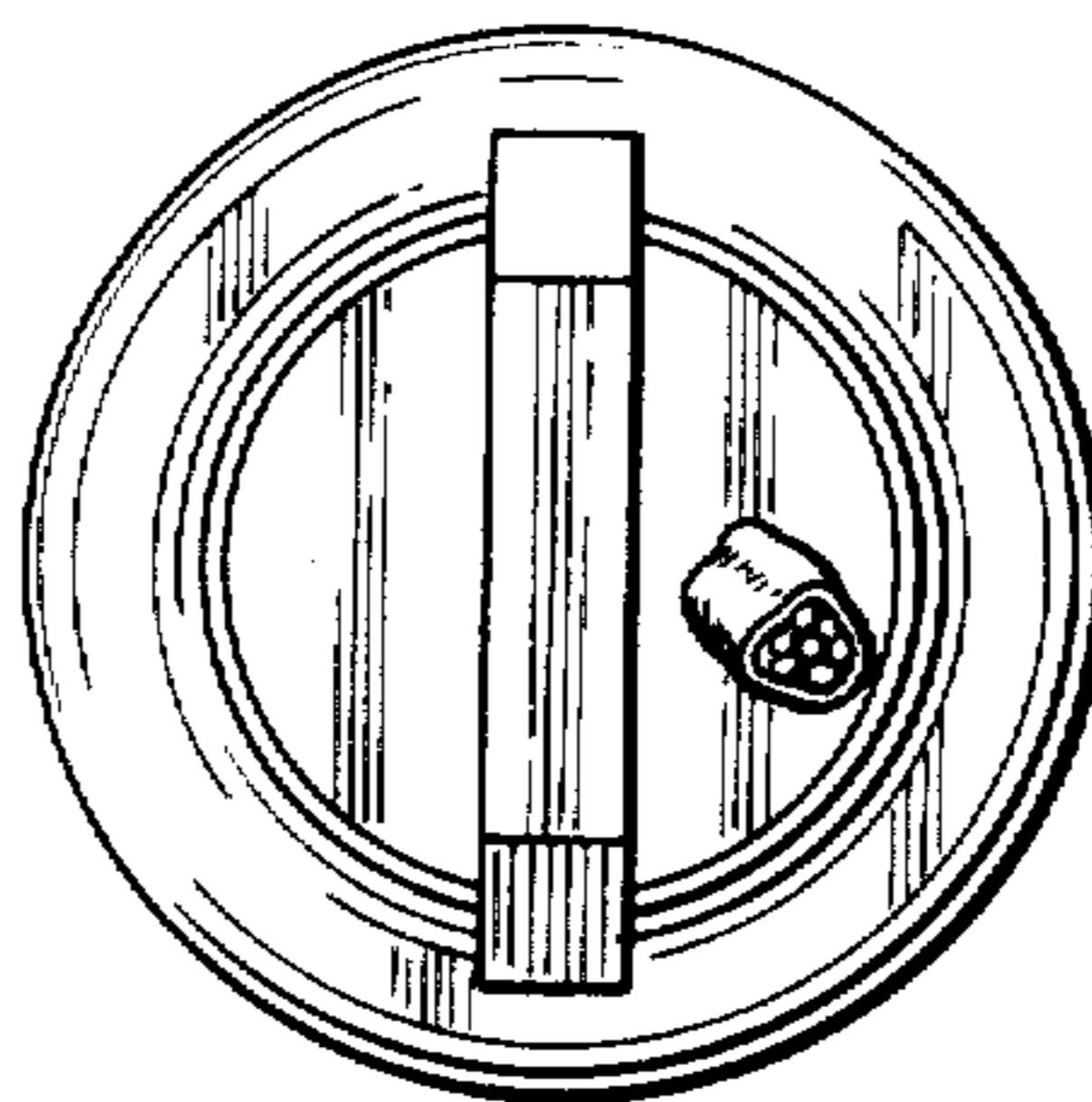


FIG. 6

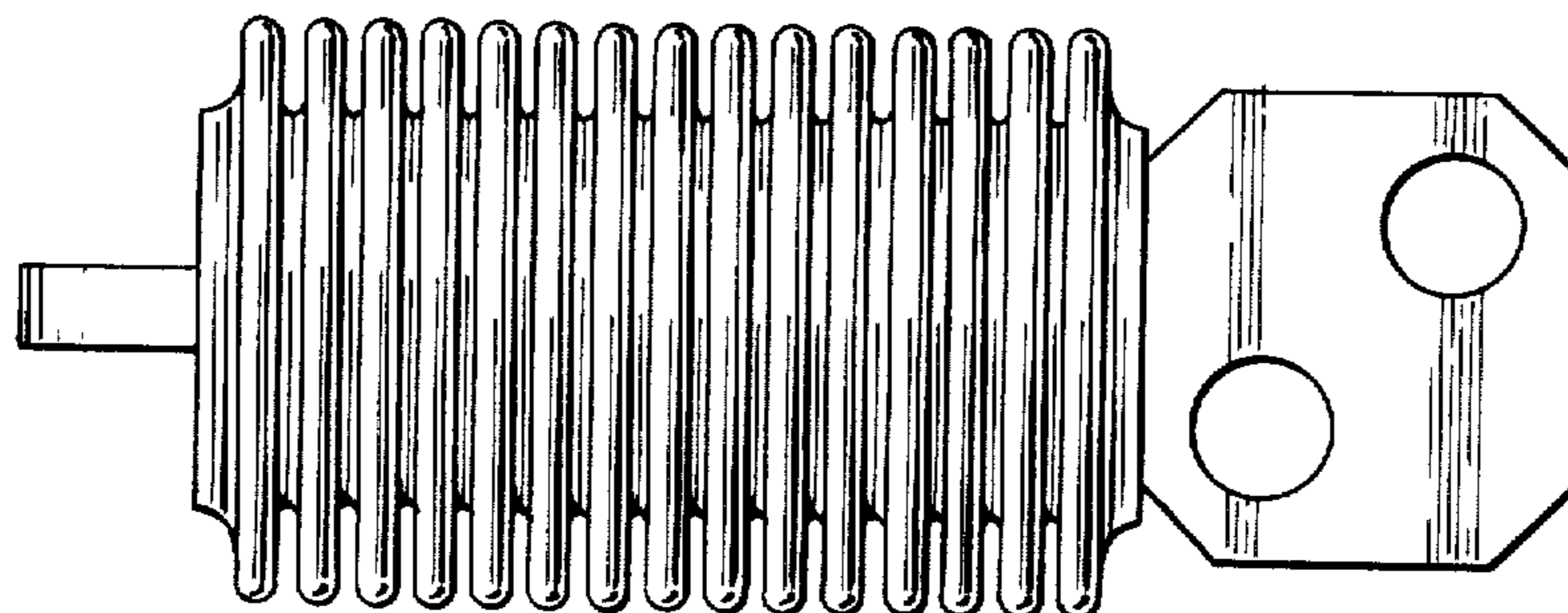


FIG. 7