

[54] ELECTRICAL CONNECTOR HOUSING

- [75] Inventor: Radosav Avramovich, Libertyville, Ill.
[73] Assignee: Daniel Woodhead, Inc., Northbrook, Ill.
[**] Term: 14 Years
[21] Appl. No.: 930,729
[22] Filed: Aug. 3, 1978
[51] Int. Cl. D13-03
[52] U.S. Cl. D13/28
[58] Field of Search D13/24, 27, 28, 29-30;
339/45, 46, 108, 110; D9/1, 216

[56] References Cited

U.S. PATENT DOCUMENTS

- 2,551,382 5/1951 Lindsay 339/45 R
3,233,204 2/1966 De Vore 339/45 R

FOREIGN PATENT DOCUMENTS

- 973945 9/1975 Canada 339/88 R

1157425 7/1969 United Kingdom 339/88 R

Primary Examiner—Sam Rosen
Attorney, Agent, or Firm—Emrich, Root, Lee, Brown & Hill

[57] CLAIM

The ornamental design for an electrical connector housing, substantially as shown and described.

DESCRIPTION

FIG. 1 is an end elevational view of an electrical connector housing showing my new design; FIG. 2 is a side elevational view thereof; FIG. 3 is a sectional view thereof taken along the plane of line 3-3 of FIG. 2; and FIG. 4 is a perspective view thereof. The end cover and openings are shown in broken lines in FIGS. 1 and 4 for illustrative purposes only and do not form part of the claimed design. The male contact blades of FIGS. 2 and 4 are shown in broken lines for illustrative purposes only and do not form part of the claimed design. The end opposite that shown in FIG. 1 is plain and unornamented.

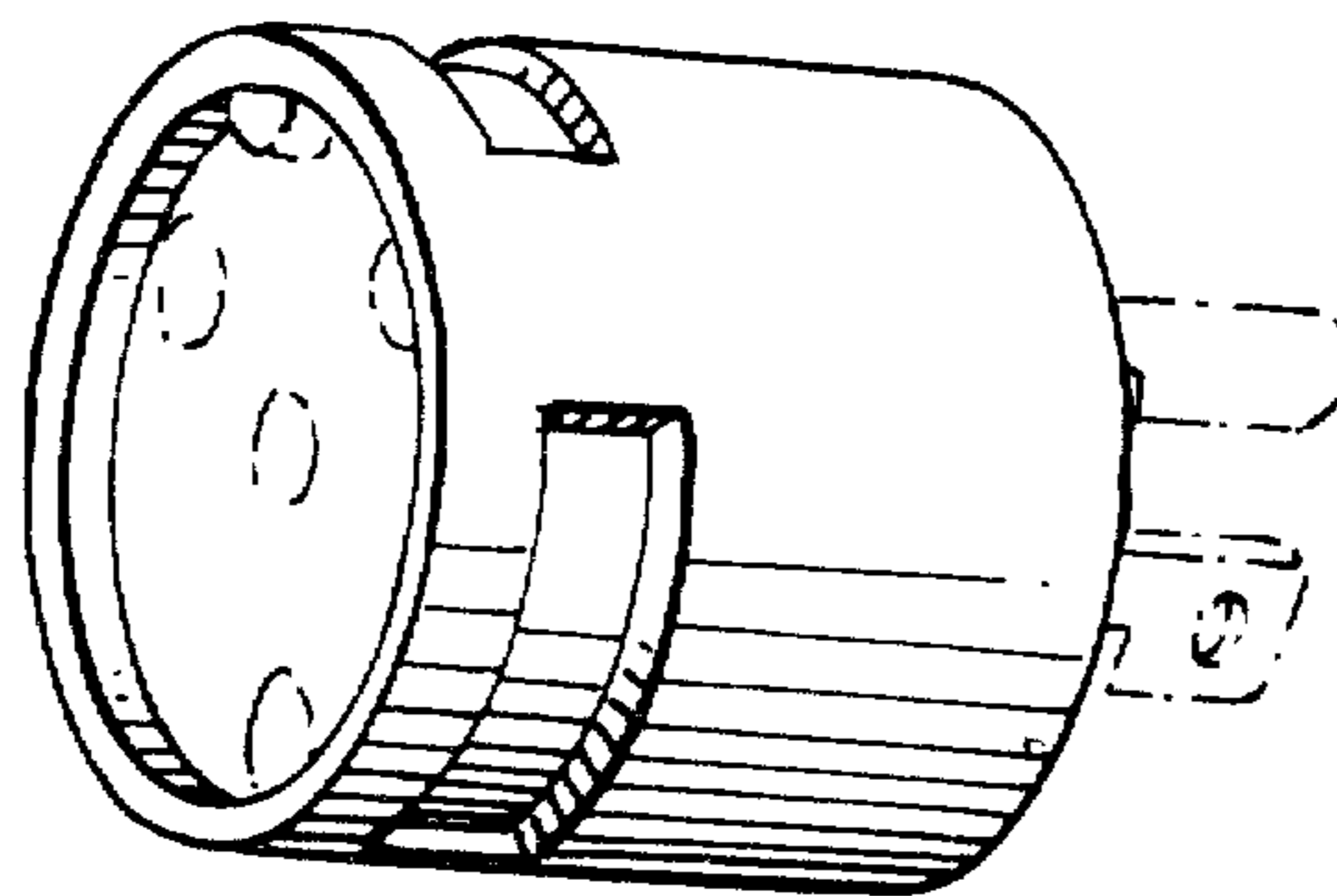


FIG. 1

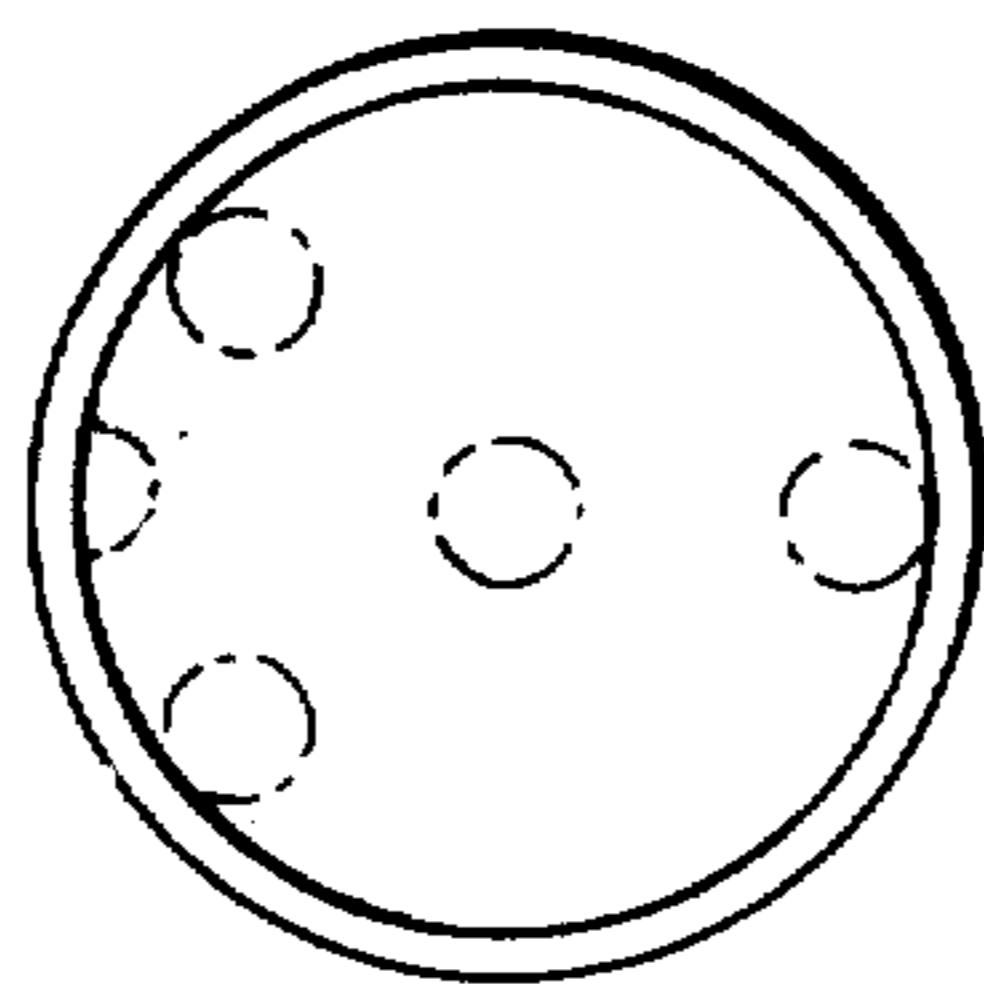


FIG. 2

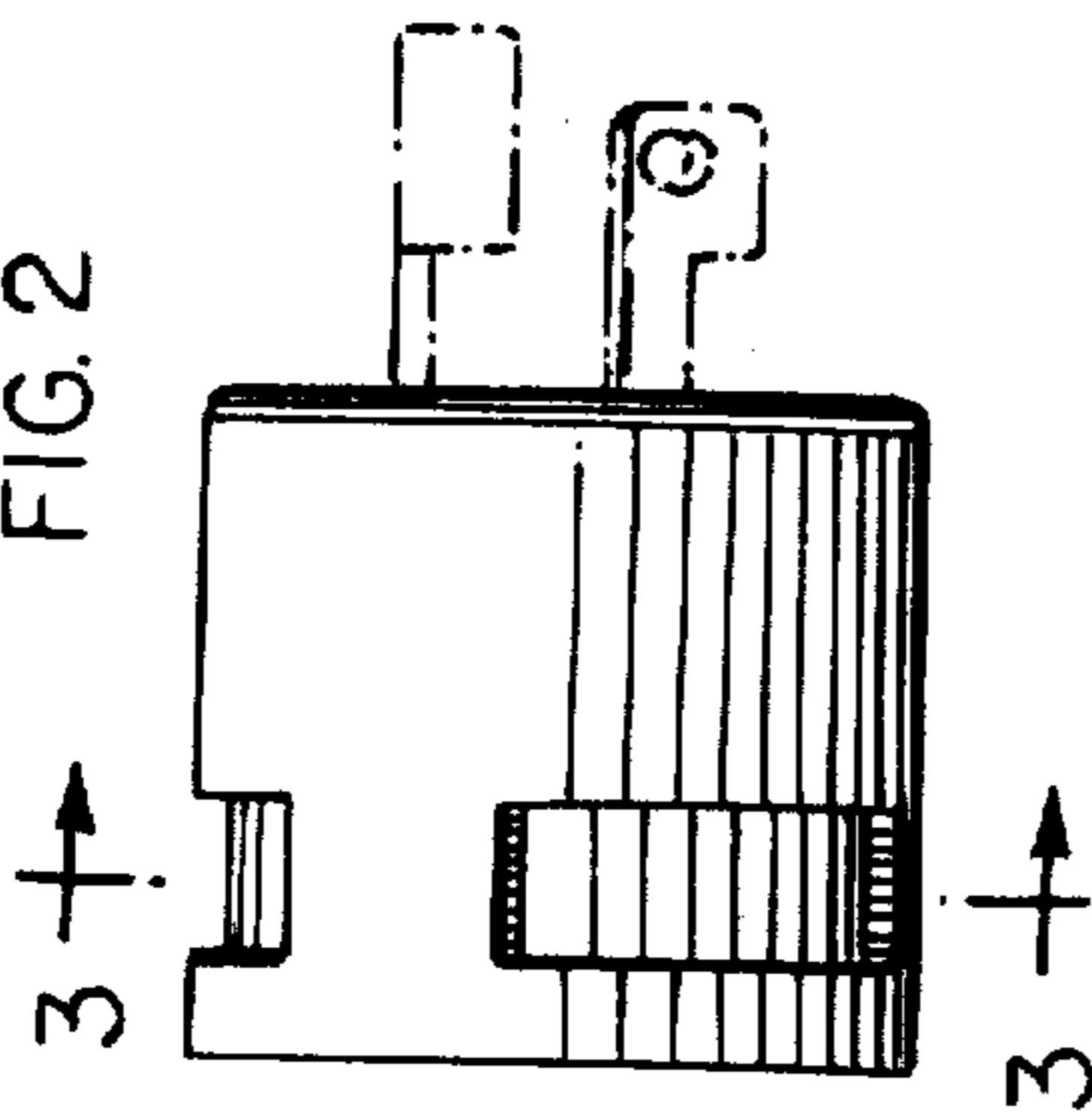


FIG. 3

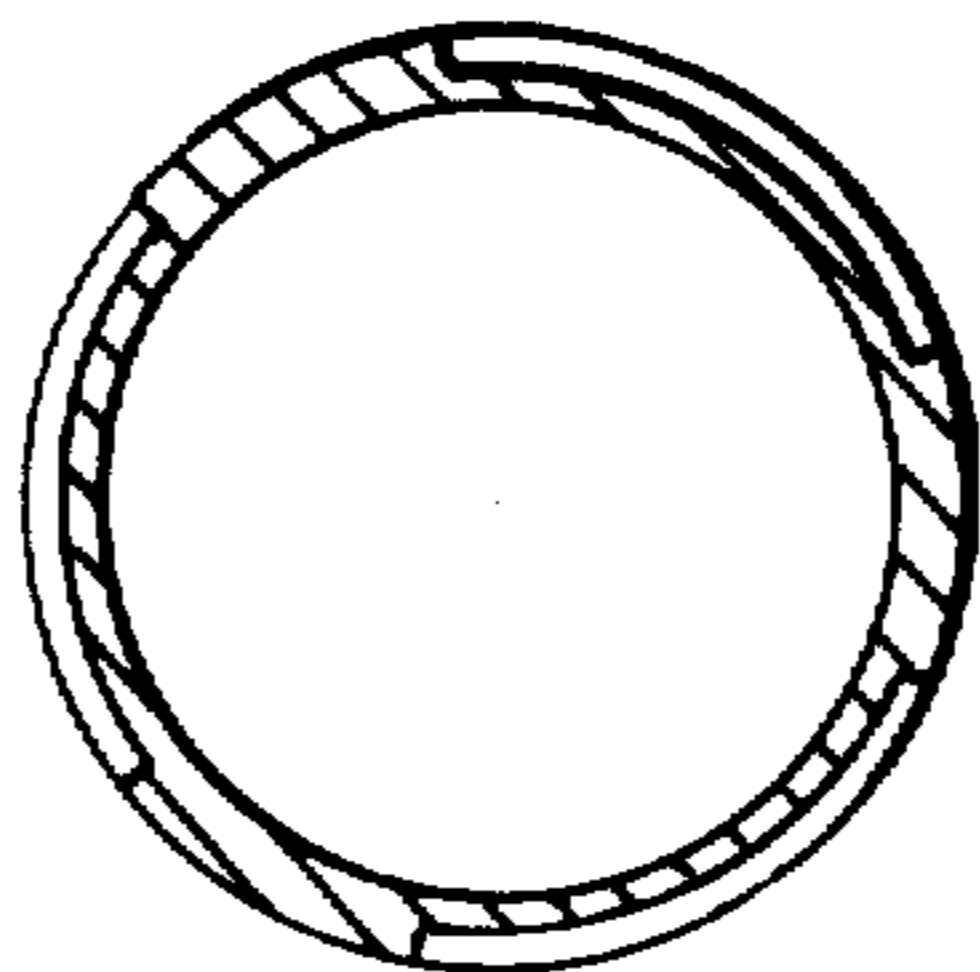


FIG. 4

