

[54] JUNCTION BOX

3,110,753 11/1963 Witort ..... 174/50 X

[75] Inventors: Kevin D. Dolinar, Canonsburg; John F. Burr, Bethel Park, both of Pa.

OTHER PUBLICATIONS

Electrical Construction & Maintenance, 5-1977, p. 142, Extra-Deep Jic Enclosure, (bottom left).

[73] Assignee: Consolidation Coal Company, Pittsburgh, Pa.

Primary Examiner—Susan J. Lucas  
Attorney, Agent, or Firm—Stanley J. Price, Jr.; John M. Adams

[\*\*] Term: 14 Years

[21] Appl. No.: 963,106

[57] CLAIM

[22] Filed: Nov. 22, 1978

The ornamental design for a junction box, as shown and described.

[51] Int. Cl. .... D13-03

[52] U.S. Cl. .... D13/13; D13/40

[58] Field of Search ..... D13/13, 12, 40, 41; 220/3.2, 3.3, 3.4, 3.5, 3.6, 3.8, 3.9; 361/331, 332, 334, 335, 338, 346, 356, 357, 358, 379, 380, 381, 383, 384, 390-394, 399; 174/50, 51, 52 R

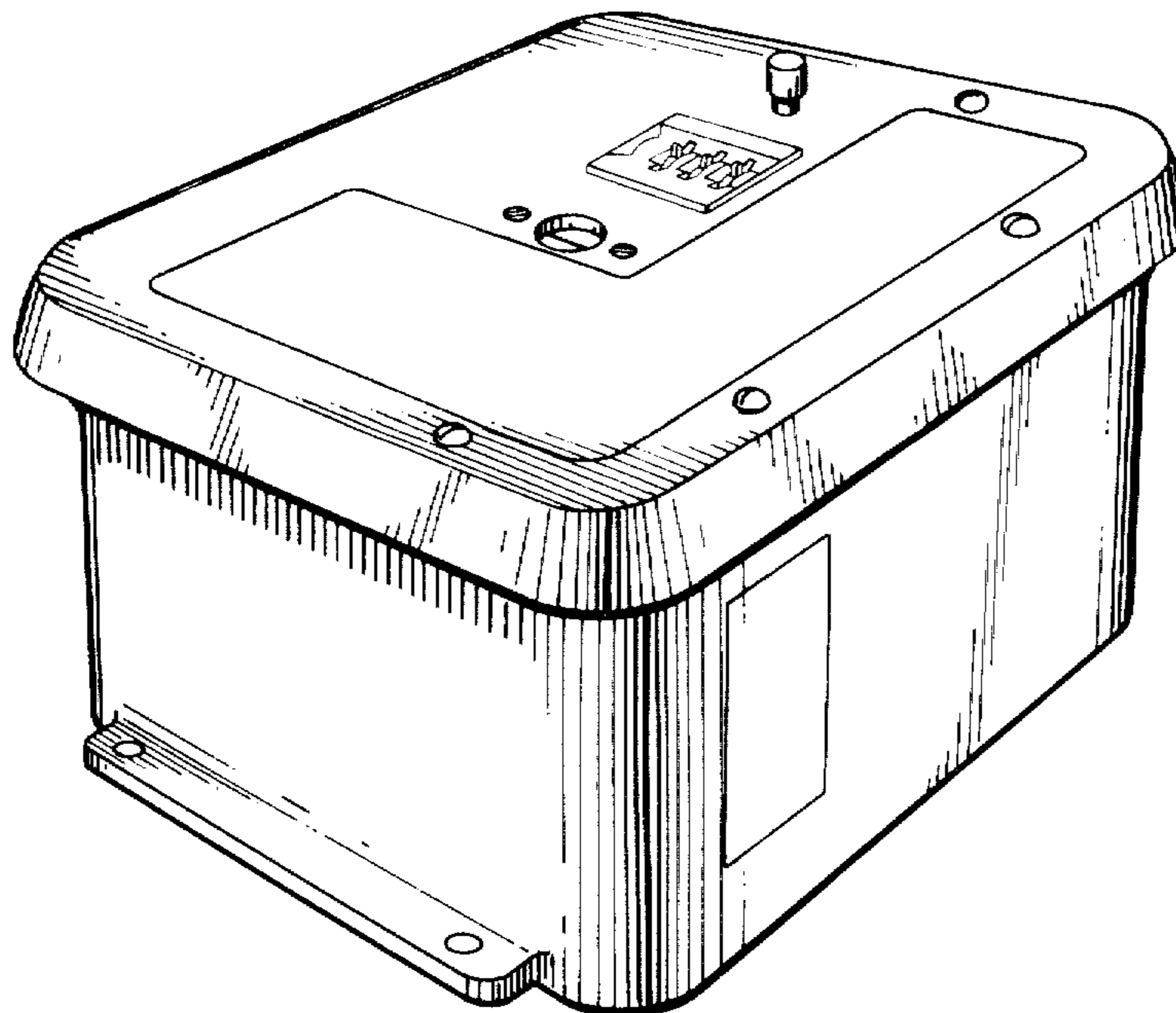
DESCRIPTION

FIG. 1 is a perspective view of a junction box showing our new design;  
FIG. 2 is a front elevational view thereof;  
FIG. 3 is a left side elevational view thereof;  
FIG. 4 is a rear elevational view thereof;  
FIG. 5 is a top plan view thereof;  
FIG. 6 is a bottom view thereof;  
FIG. 7 is an inverted right side elevational view thereof.

[56] References Cited

U.S. PATENT DOCUMENTS

3,075,487 1/1963 Appleton ..... 220/3.2 X



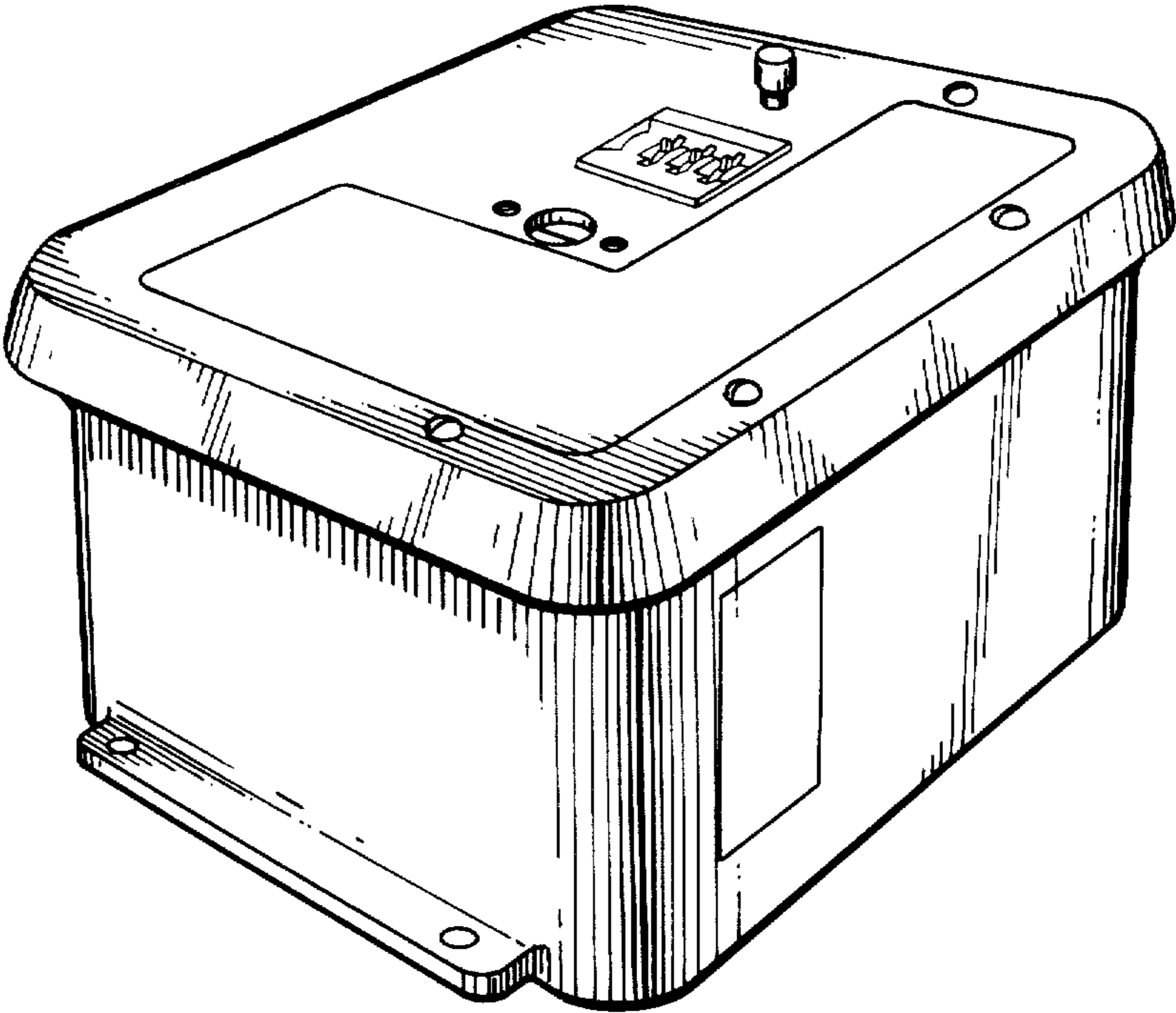


FIG. 1

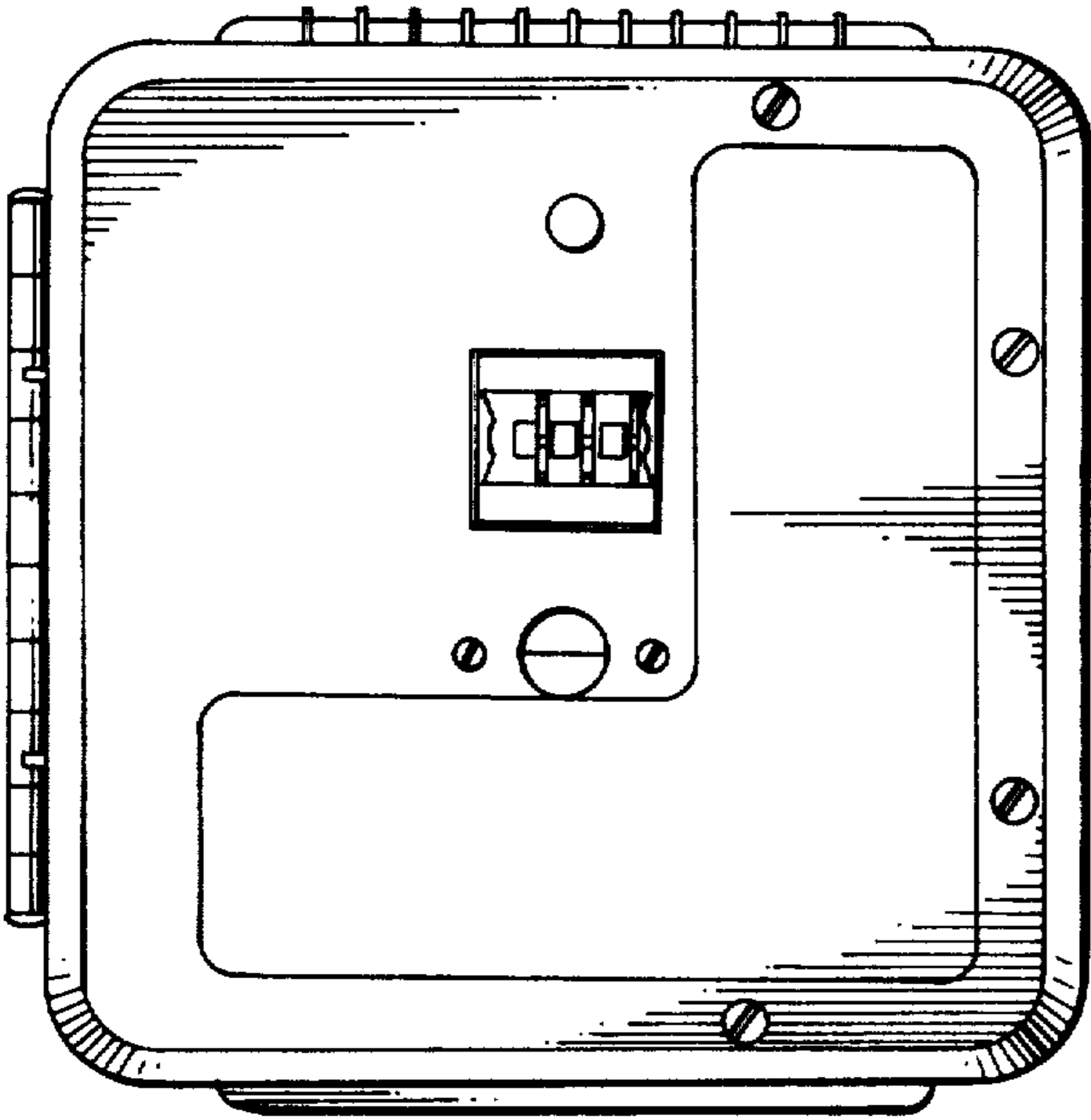


FIG. 2

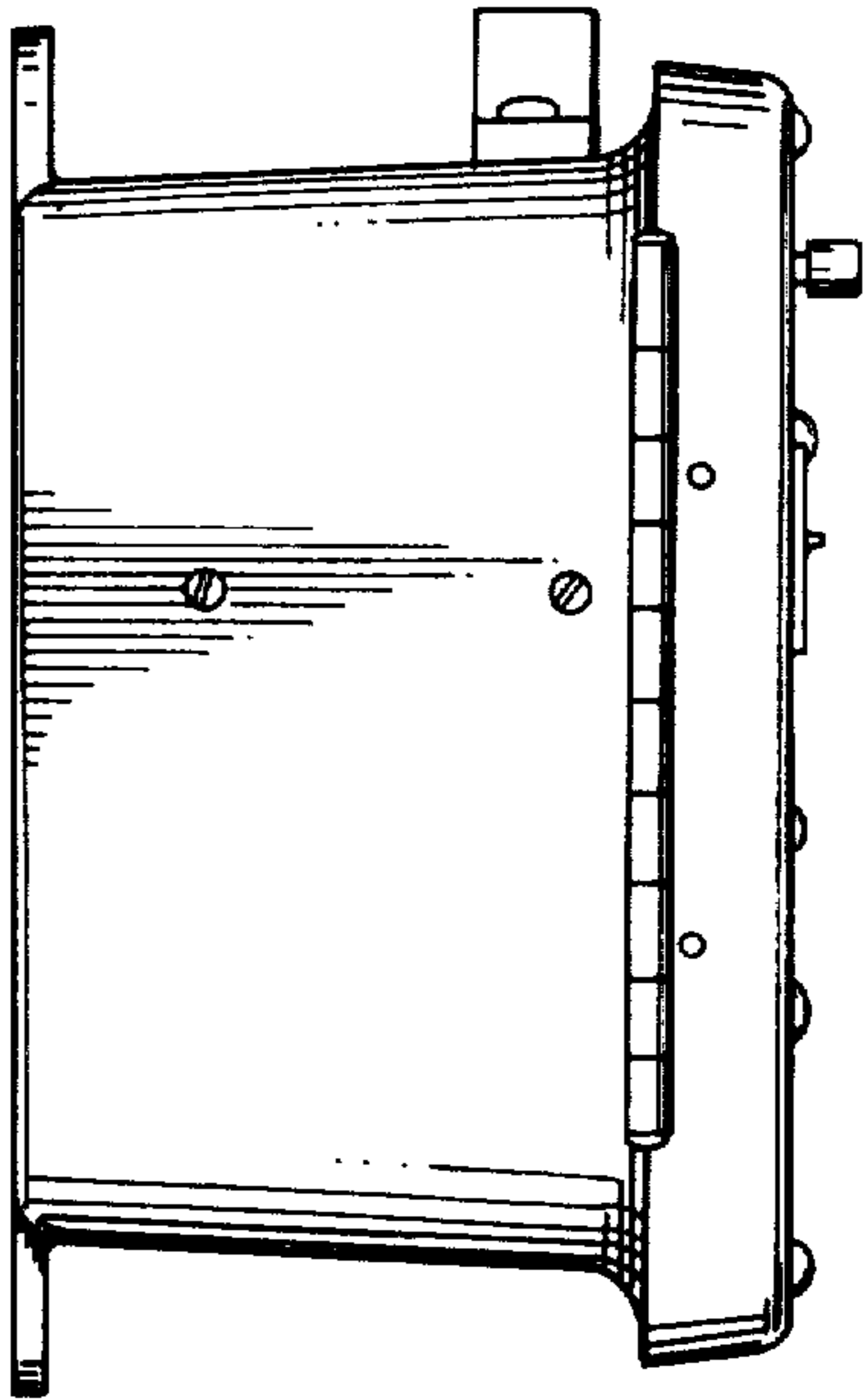
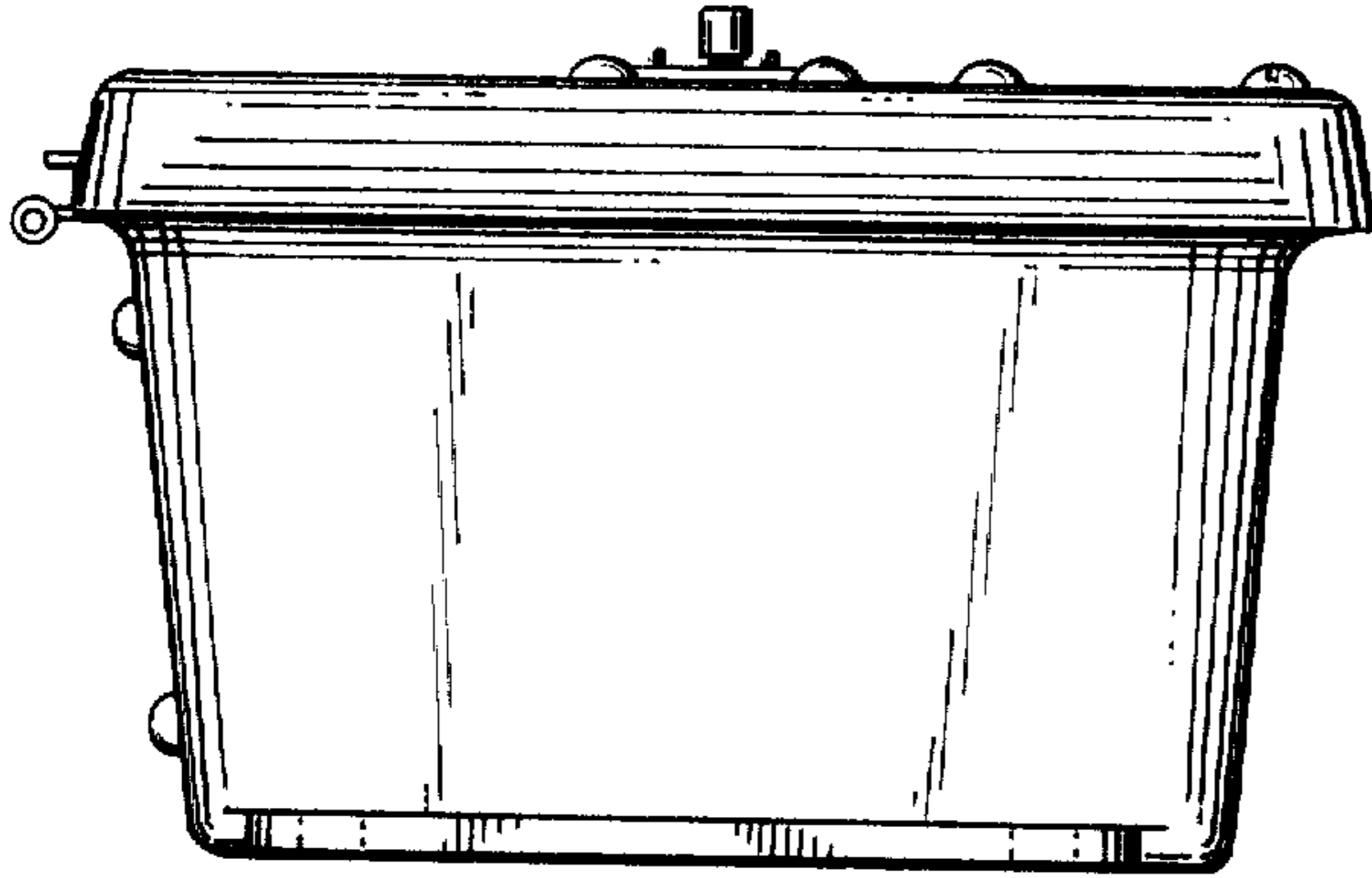
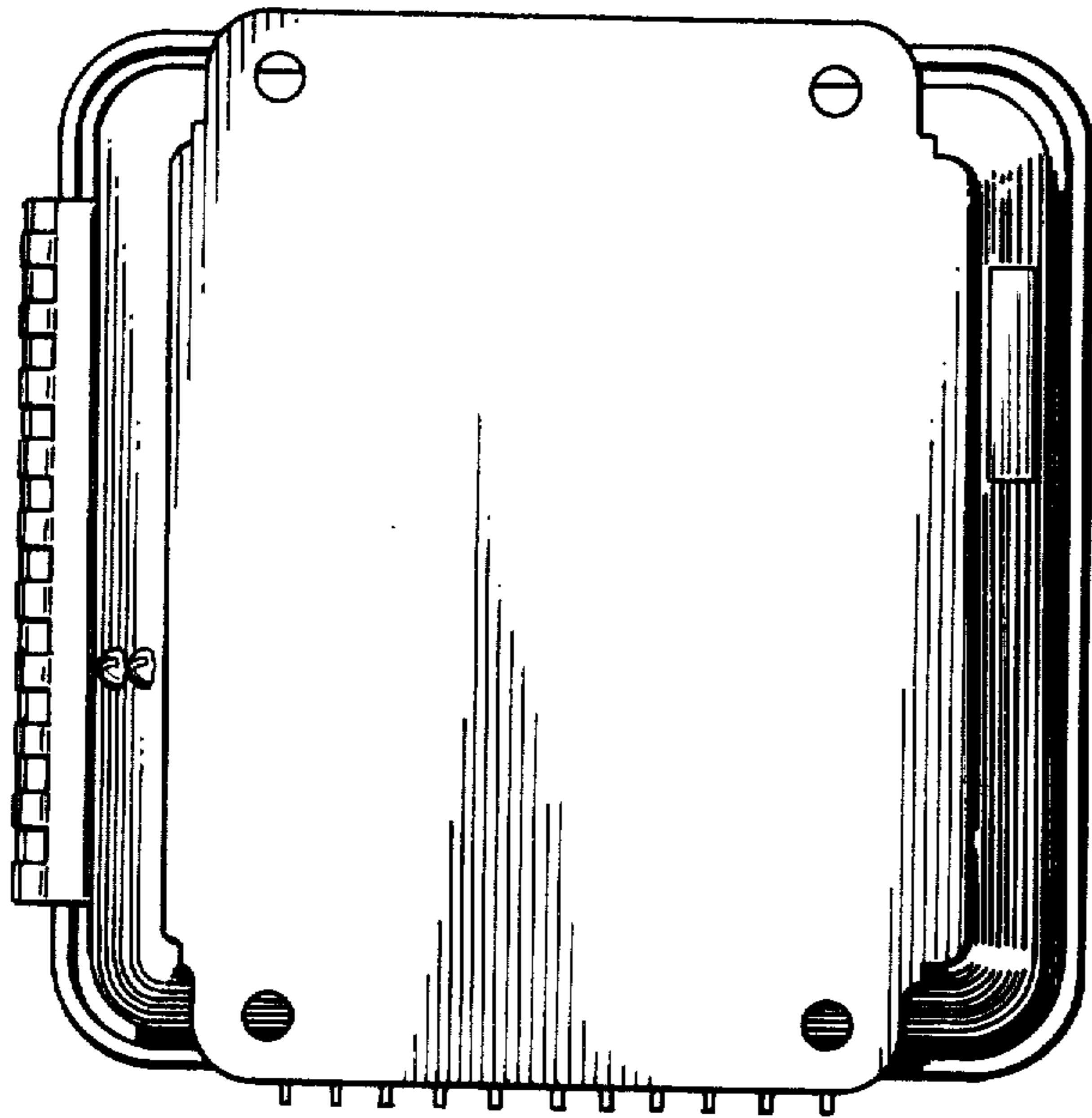


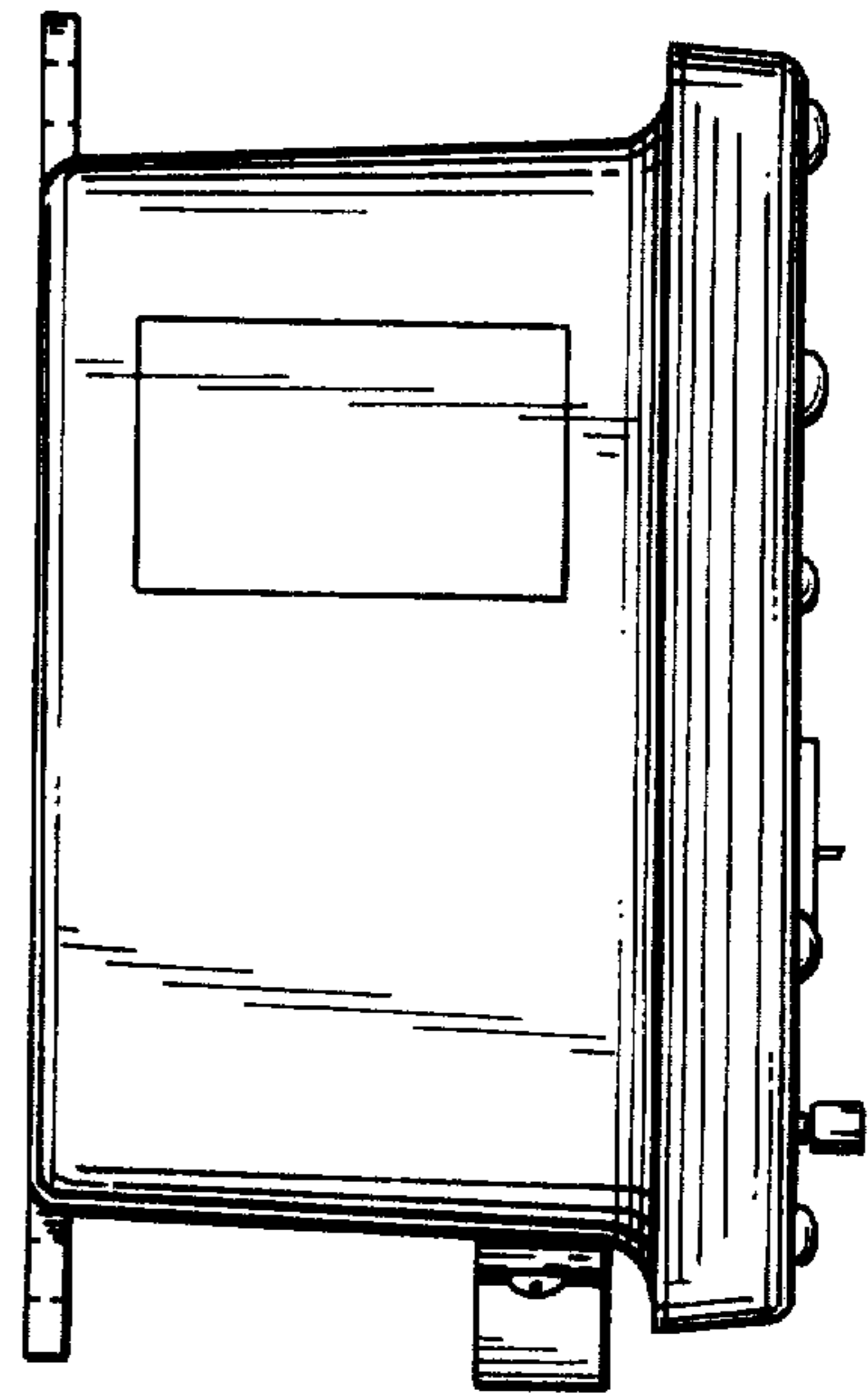
FIG. 3



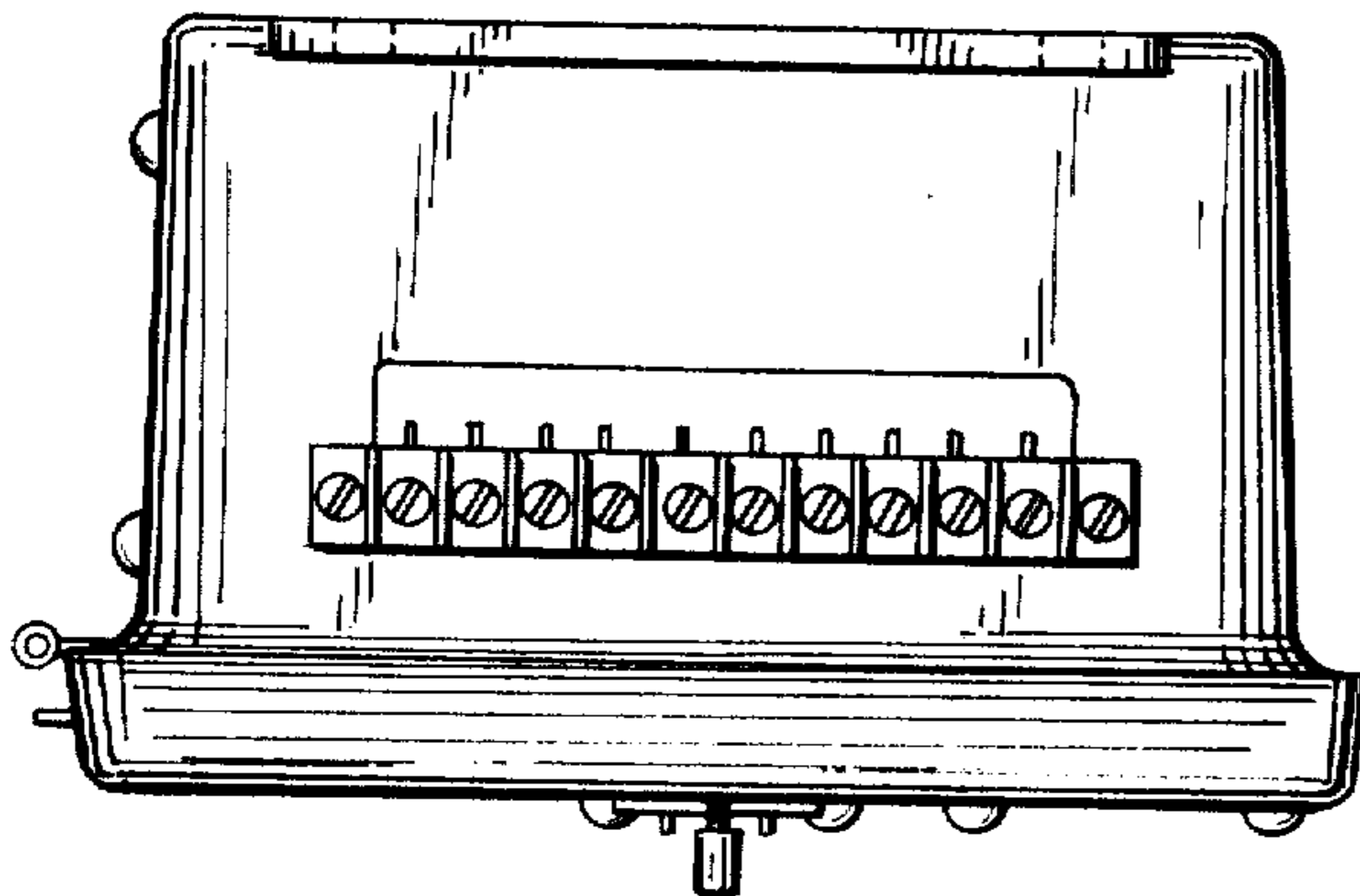
*FIG. 6*



*FIG. 4*



*FIG. 7*



*FIG. 5*