

- [54] POWER SUPPLY MODULE
- [75] Inventor: John W. Tully, Jr., San Diego, Calif.
- [73] Assignee: Omni-Dynamics, Inc., San Diego, Calif.
- [\*\*] Term: 14 Years
- [21] Appl. No.: 949,246
- [22] Filed: Oct. 6, 1978
- [51] Int. Cl. .... D13-01
- [52] U.S. Cl. .... D13/01
- [58] Field of Search ..... D13/1, 2, 3, 4, 11;  
361/331, 380, 386, 387, 388, 390, 392, 399;  
363/13, 15, 16, 17, 34, 37, 68, 147, 163, 175

3,693,050	9/1972	Ettinger et al. ....	361/386
3,717,805	2/1973	Gnaedinger et al. ....	363/13
3,721,865	3/1973	Rademaker et al. ....	361/380

OTHER PUBLICATIONS

Lafayette Radio Electronics Catalog #710-1971, p. 261, Transformer #33F 75011.

Primary Examiner—Catherine E. Kemper  
Attorney, Agent, or Firm—John L. Haller

[57] CLAIM

The ornamental design for a power supply module, as shown and described.

DESCRIPTION

FIG. 1, is a perspective view of the power supply module showing my new design.

FIG. 2, is a top plan view thereof.

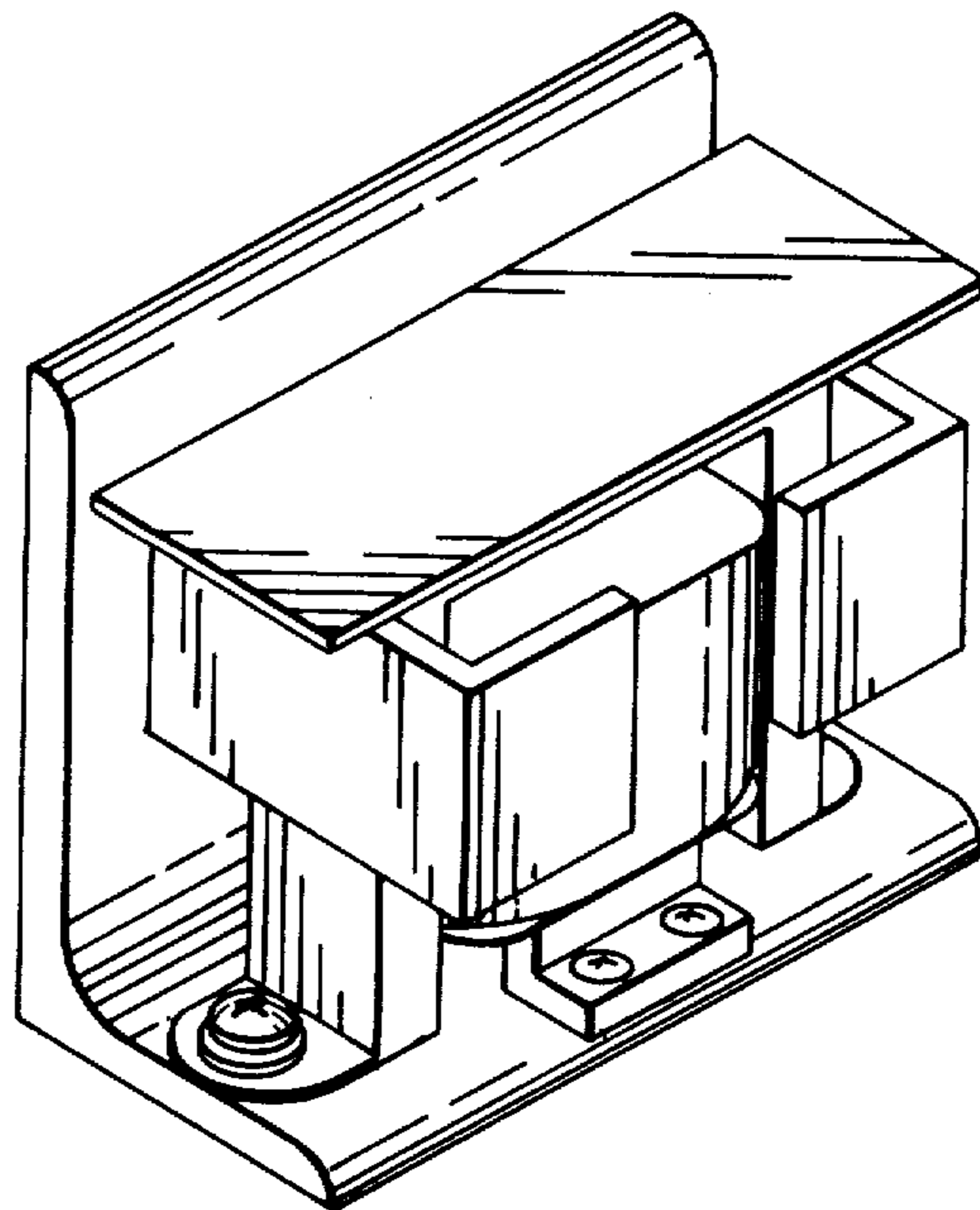
FIG. 3, is a front elevation thereof.

FIG. 4, is an end elevation thereof.

FIG. 5, is a perspective view of a second embodiment of my new design.

[56] References Cited  
U.S. PATENT DOCUMENTS

2,990,497	6/1961	Rugg .....	361/331
3,221,216	11/1965	Kobryner .....	361/386
3,676,745	7/1972	Traweck .....	361/388



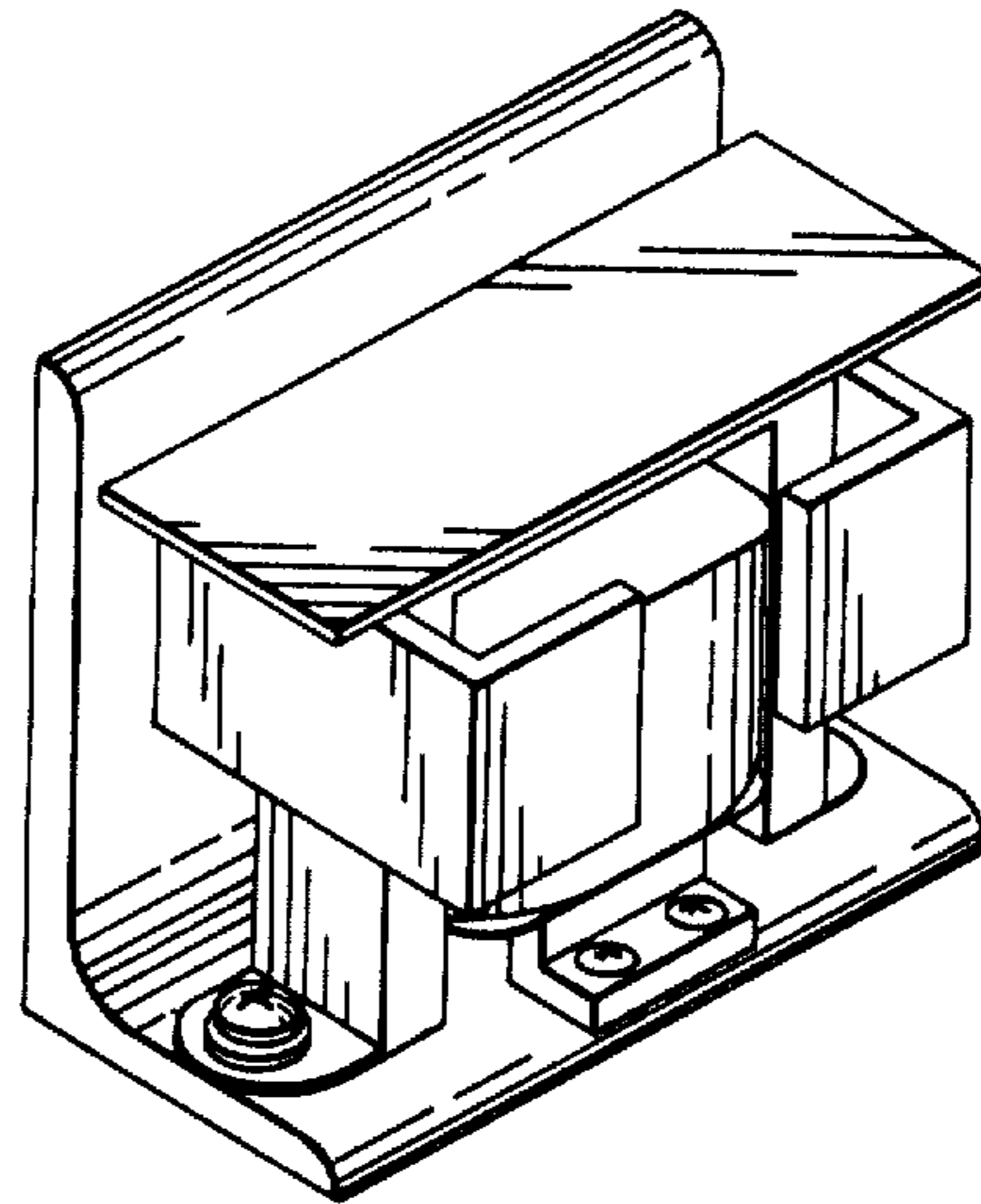


FIG. 1

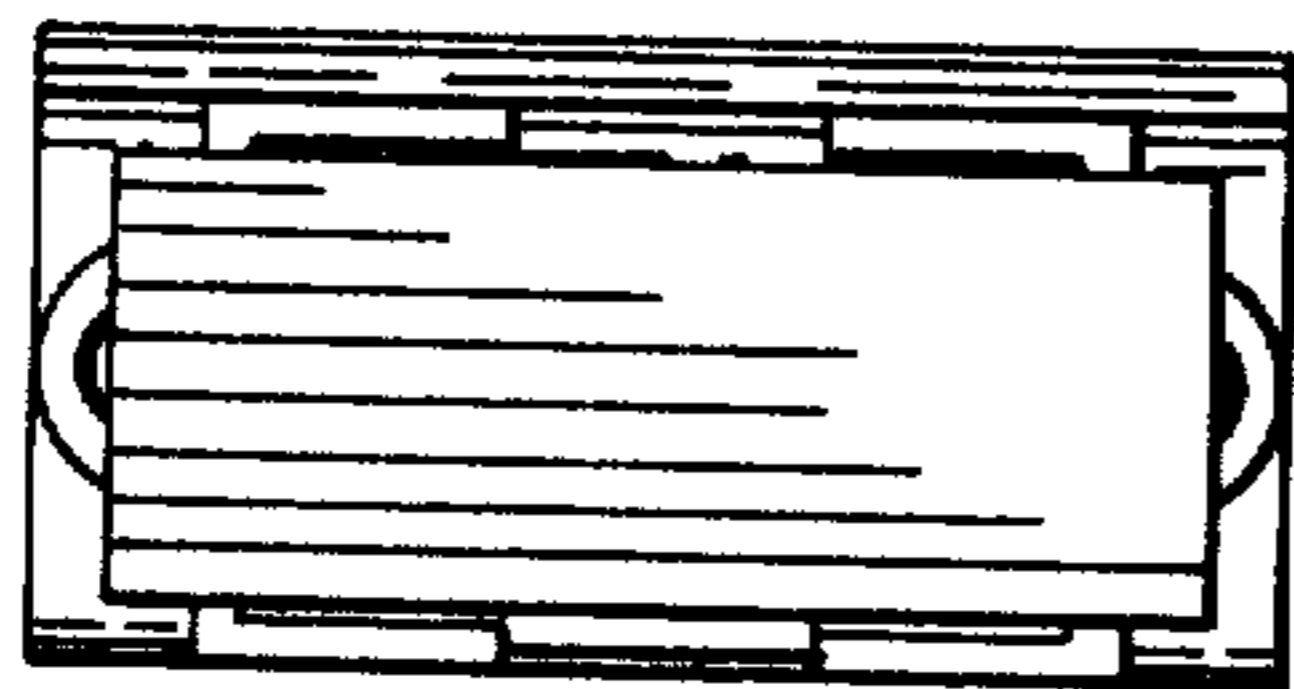


FIG. 2

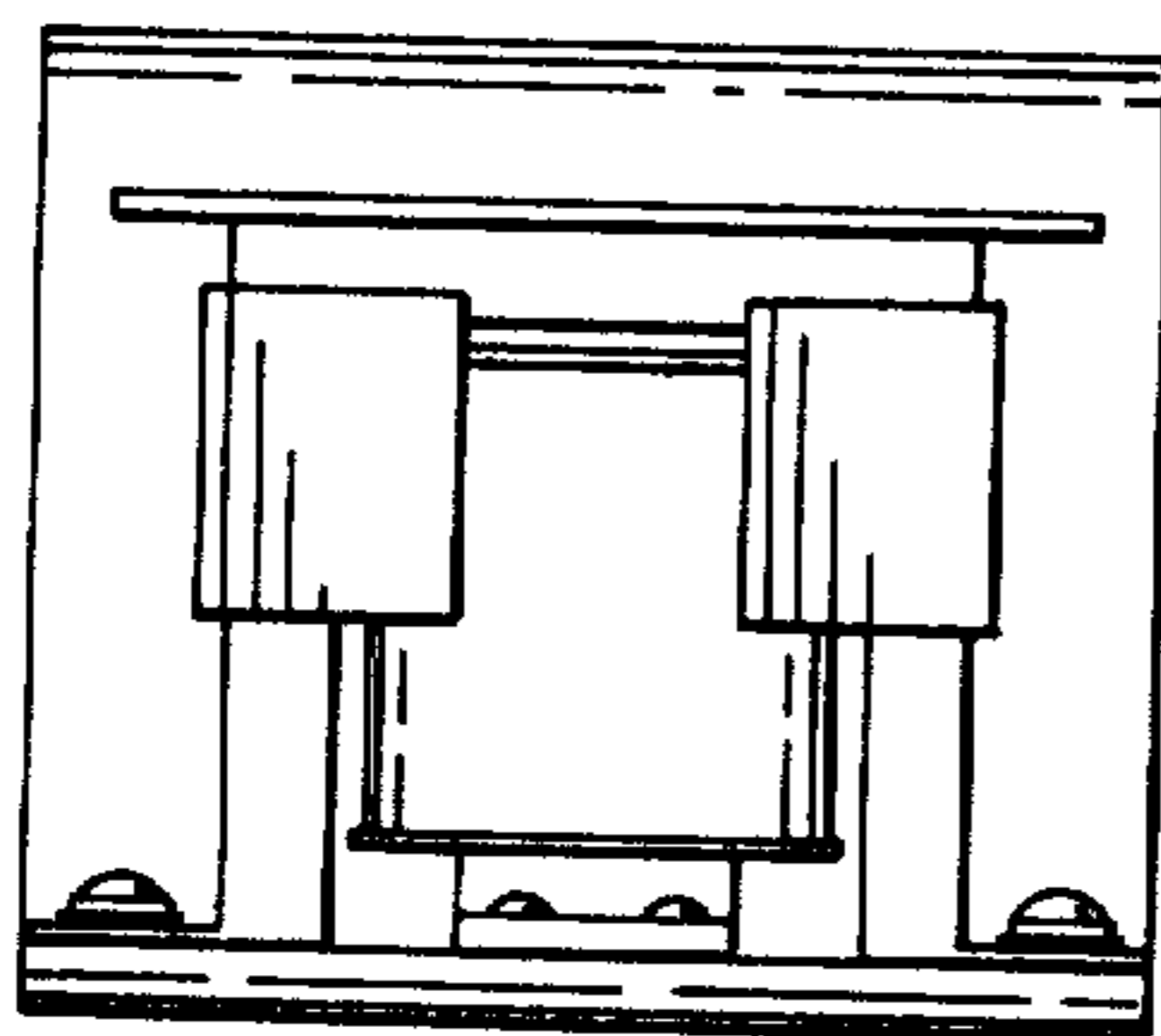


FIG. 3

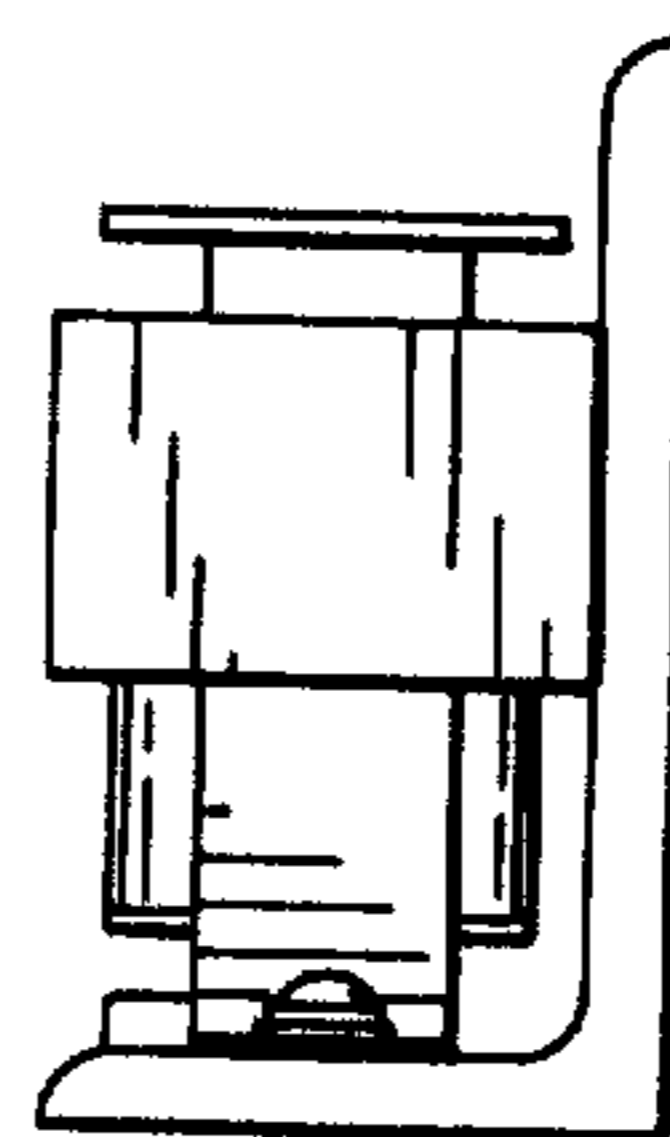


FIG. 4

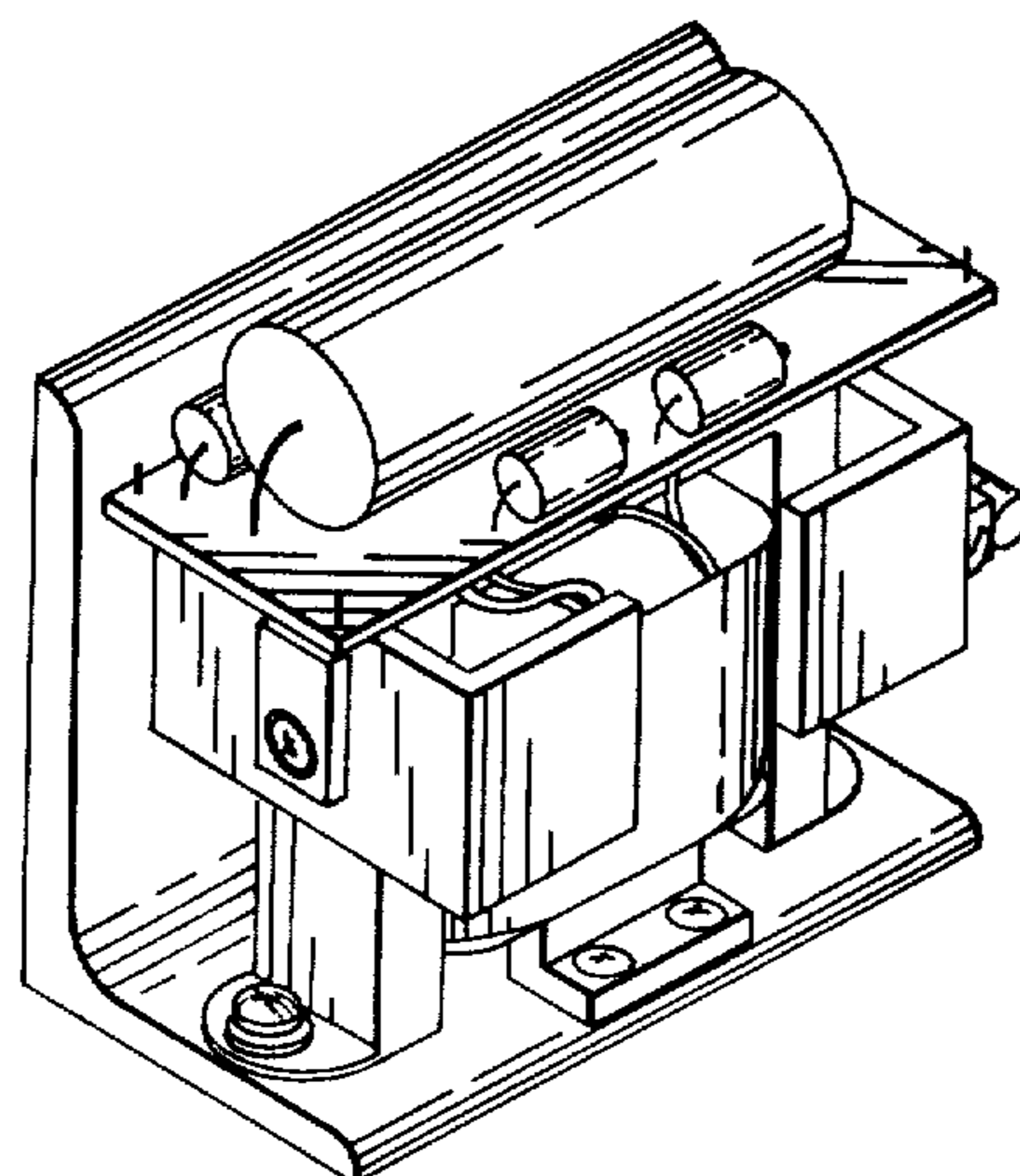


FIG. 5