

[54] SHELF BRACKET

[76] Inventor: Lester L. Loeschen, P.O. Box 621, Mishawaka, Ind. 46544

[\*\*] Term: 14 Years

[21] Appl. No.: 38,542

[22] Filed: May 14, 1979

[51] Int. Cl. .... D8-08

[52] U.S. Cl. .... D8/381

[58] Field of Search ..... D6/132; 248/228, 235, 248/247, 248, 223.3; D8/380, 381

[56] References Cited

U.S. PATENT DOCUMENTS

- D. 213,569 3/1969 Paine ..... D8/381
- 3,158,348 11/1964 Rutter ..... 248/228 X
- 3,432,134 3/1969 Forschmidt ..... 248/235

4,121,801 10/1978 Kellogg ..... 248/235

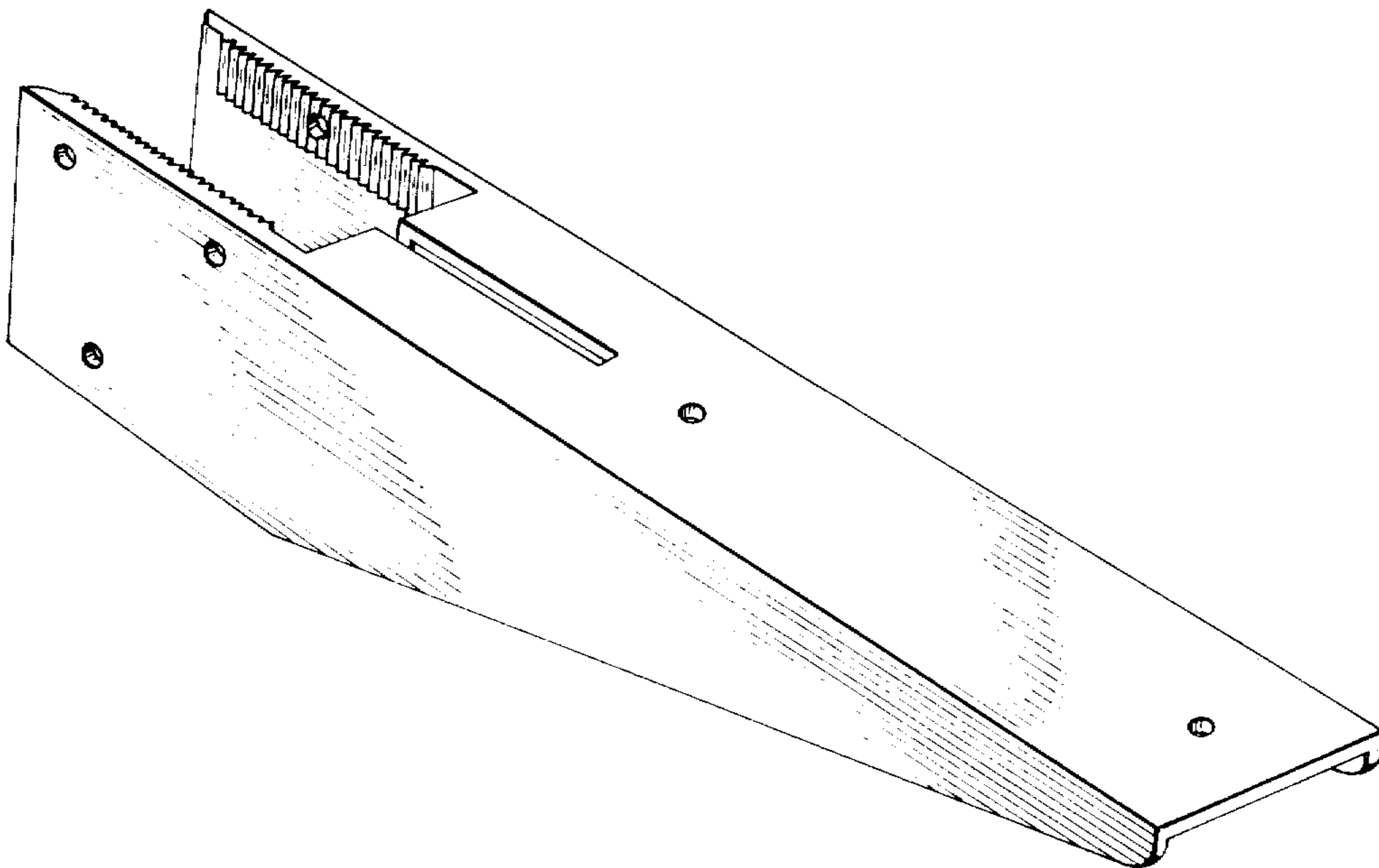
Primary Examiner—A. Hugo Word  
Attorney, Agent, or Firm—Marmaduke A. Hobbs

[57] CLAIM

The ornamental design for a shelf bracket, substantially as shown.

DESCRIPTION

FIG. 1 is a perspective view of a shelf bracket embodying the present new design;  
 FIG. 2 is an elevational view of the side opposite that shown in FIG. 1;  
 FIG. 3 is an enlarged elevational view of the end opposite that shown in FIG. 1;  
 FIG. 4 is a plan view of the bottom of the shelf bracket;  
 FIG. 5 is a cross sectional view taken on line 5—5 of FIG. 4; and  
 FIG. 6 is an enlarged elevational view of the end seen in FIG. 1.



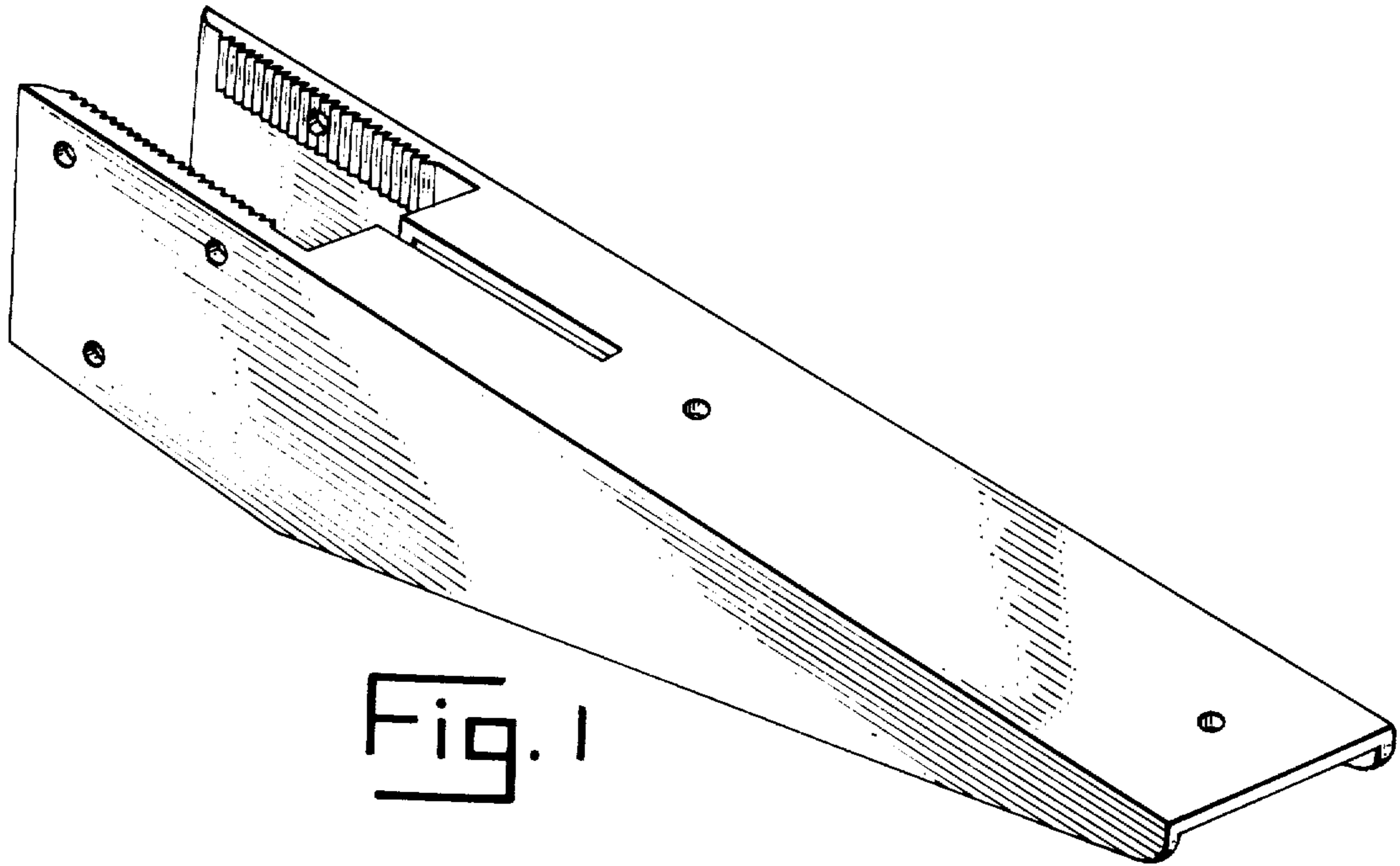


Fig. 1

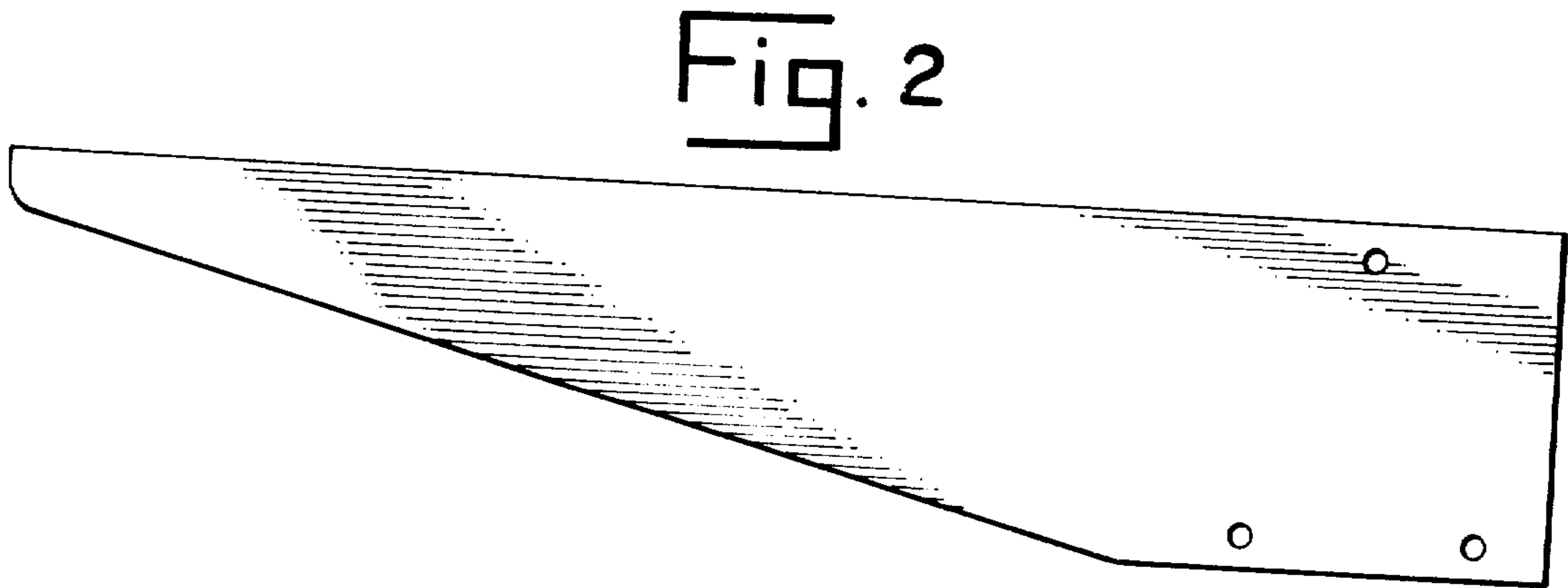


Fig. 2

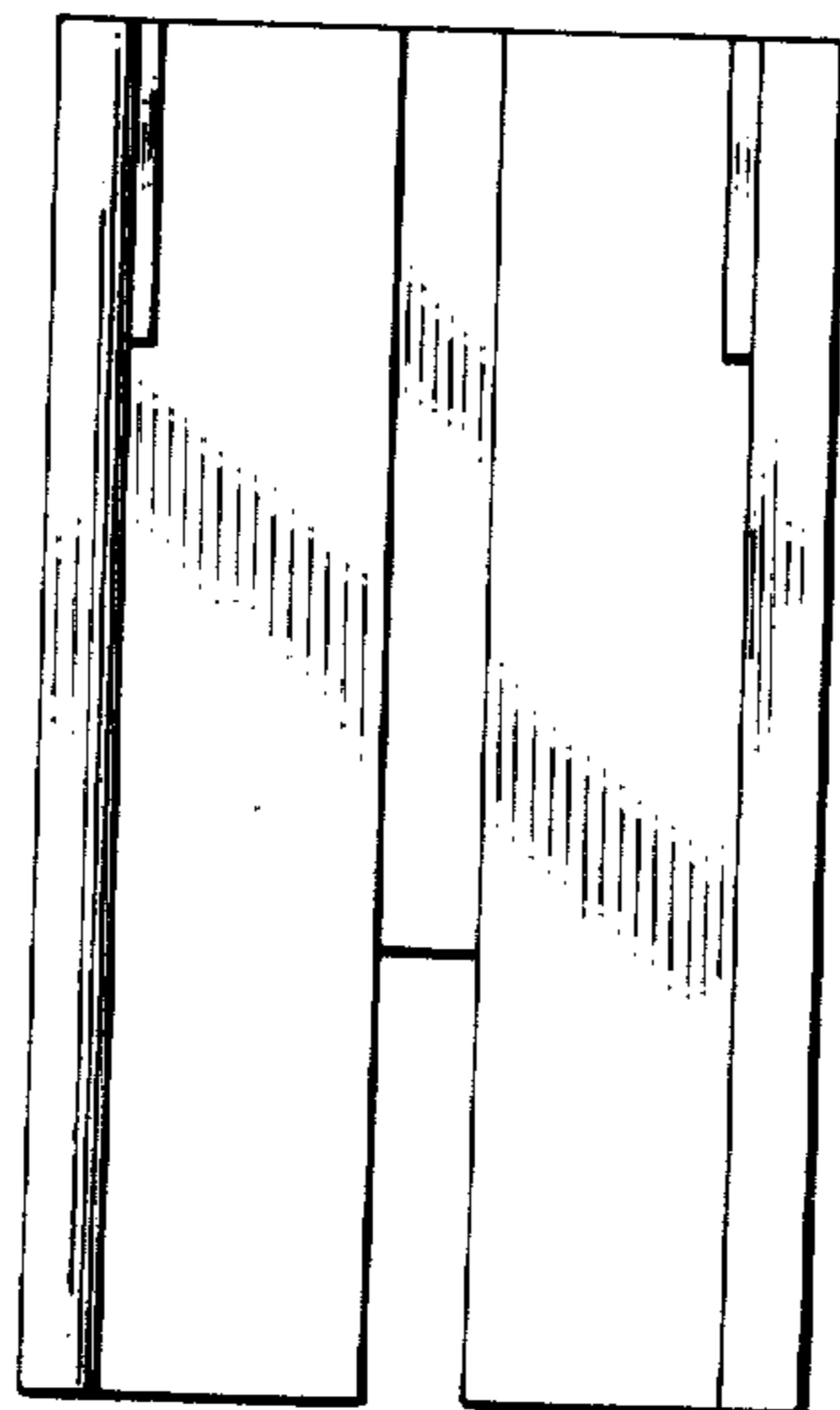


Fig. 3

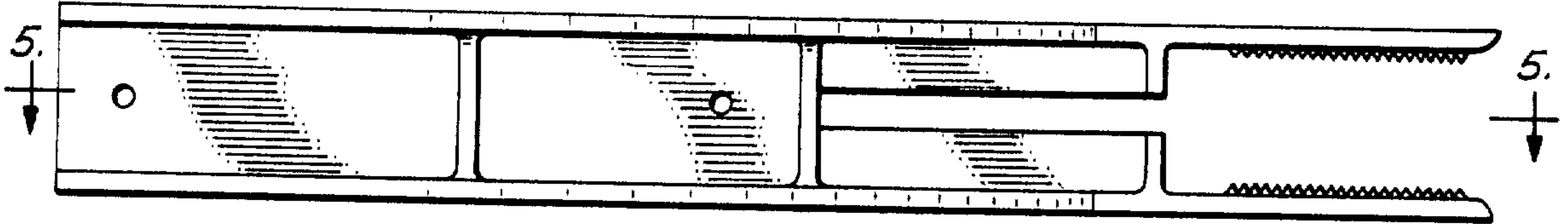


Fig. 4

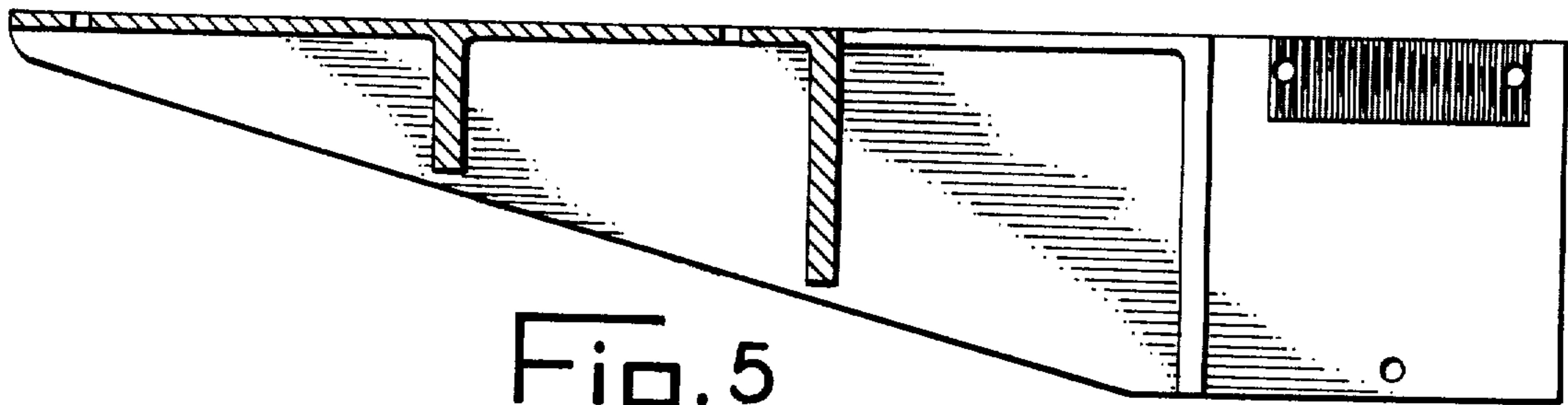


Fig. 5

Fig. 6

