

[54] WASTEBASKET HANGER
[76] Inventor: Pamela J. Parker, 8456 E. Wildcat Dr., Tucson, Ariz. 85730
[**] Term: 14 Years
[21] Appl. No.: 947,705
[22] Filed: Oct. 2, 1978
[51] Int. Cl. D8-08
[52] U.S. Cl. D8/376; D6/114
[58] Field of Search 256/39, 65; 52/506, 52/510; 211/87, 105.1, 105.2; 248/225.3 R, 22.51, 224.1, 224.4, 224.7; 312/263; D8/373, 376, 375; D6/113, 120, 114, 136; D25/38
[56] References Cited
U.S. PATENT DOCUMENTS
2,521,134 9/1950 Stanitz 211/87 X

3,636,669 1/1972 Attkisson 52/510 X
3,930,638 1/1976 Ehlinger et al. 256/39
4,177,901 12/1979 Deconinck 211/105.1

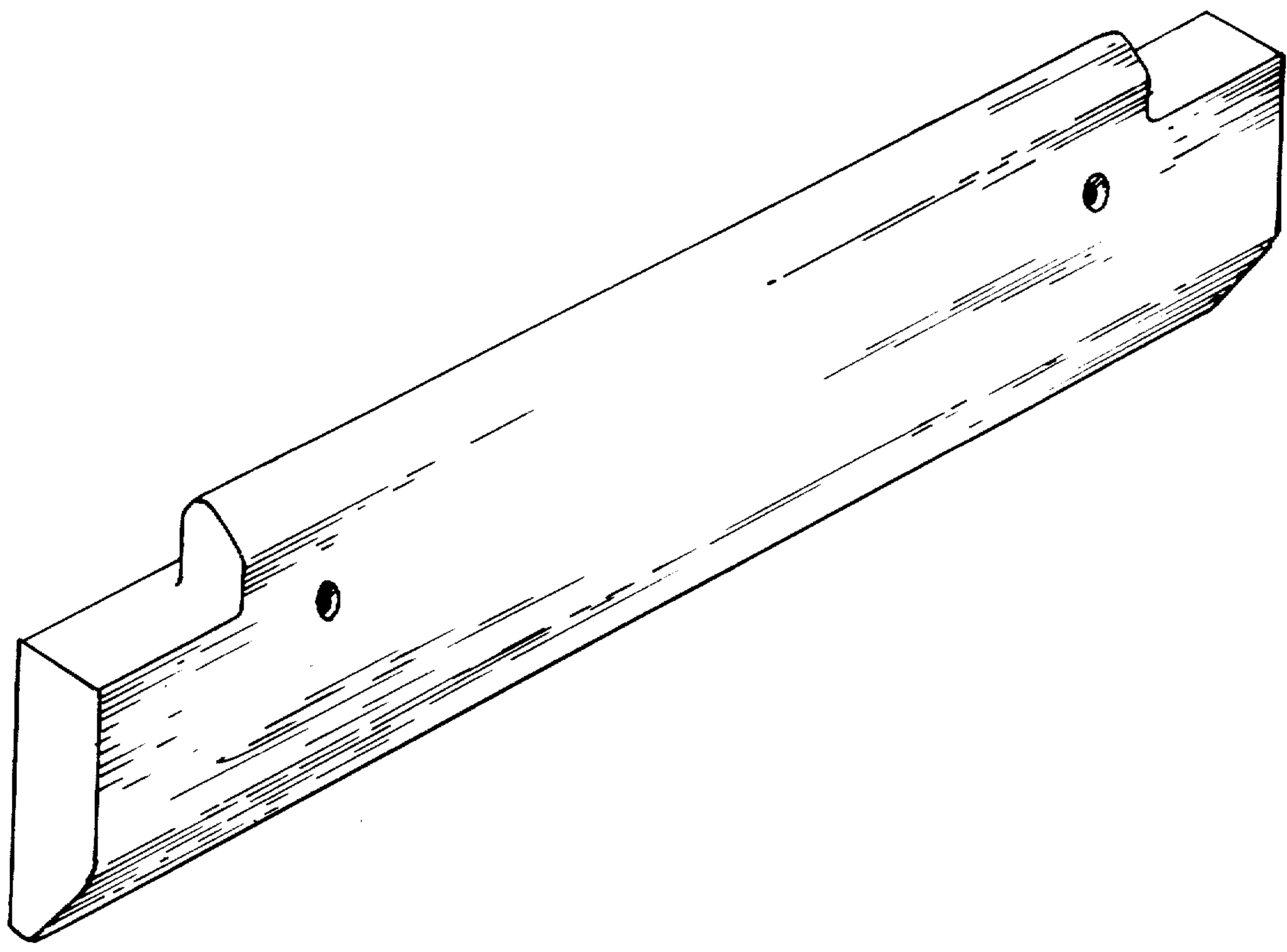
Primary Examiner—A. Hugo Word
Attorney, Agent, or Firm—J. Michael McClanahan

[57] CLAIM

The ornamental design for a wastebasket hanger, as shown and described.

DESCRIPTION

FIG. 1 is a perspective view of the ornamental wastebasket hanger.
FIG. 2 is a rear view of the ornamental wastebasket hanger.
FIG. 3 is an end view of the ornamental view of the wastebasket hanger showing the edge of a wastebasket attached thereto as well as the wall or door attached thereto, said attached wastebasket and wall or door shown only for illustrative purposes only.



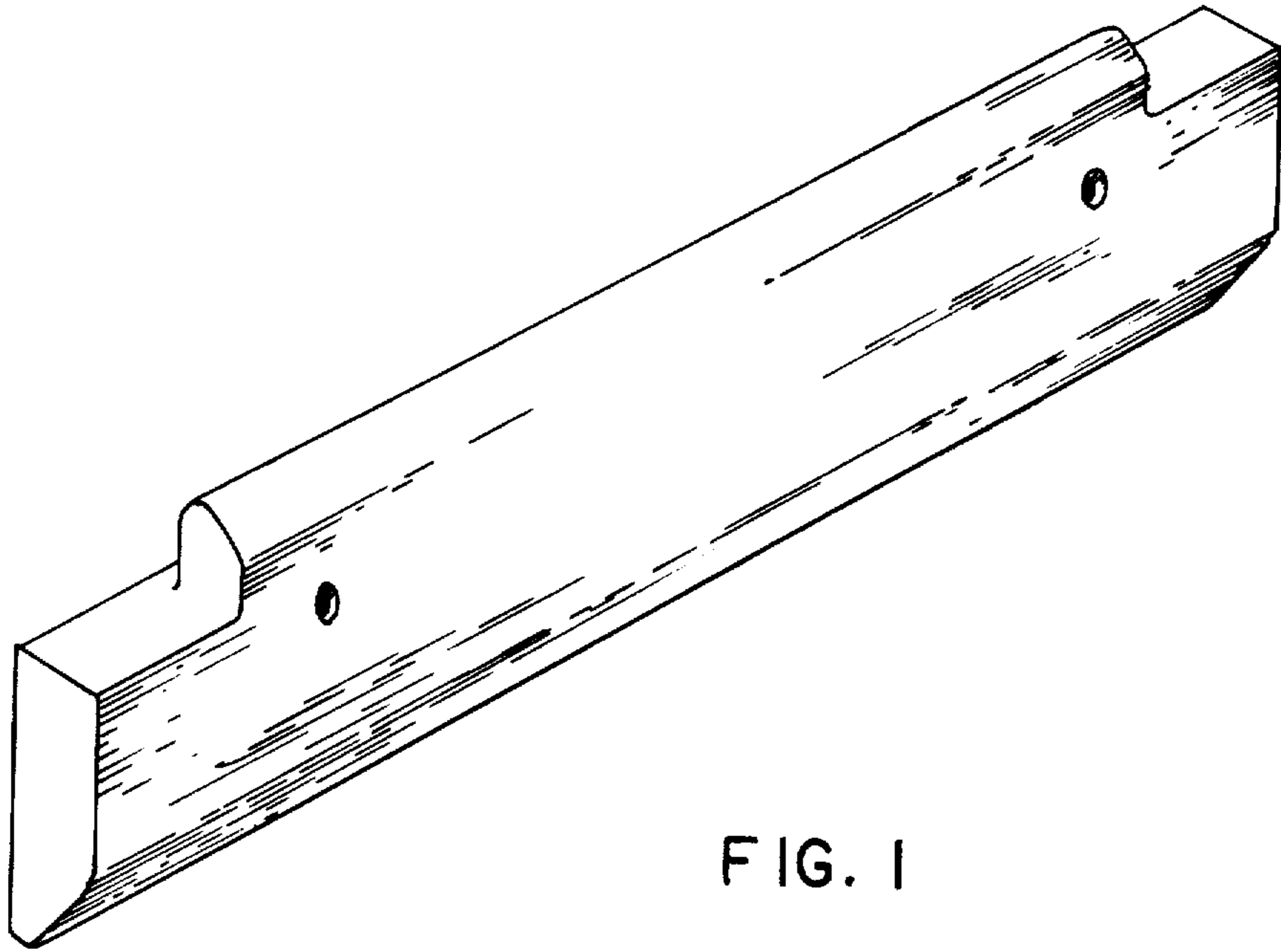


FIG. 1

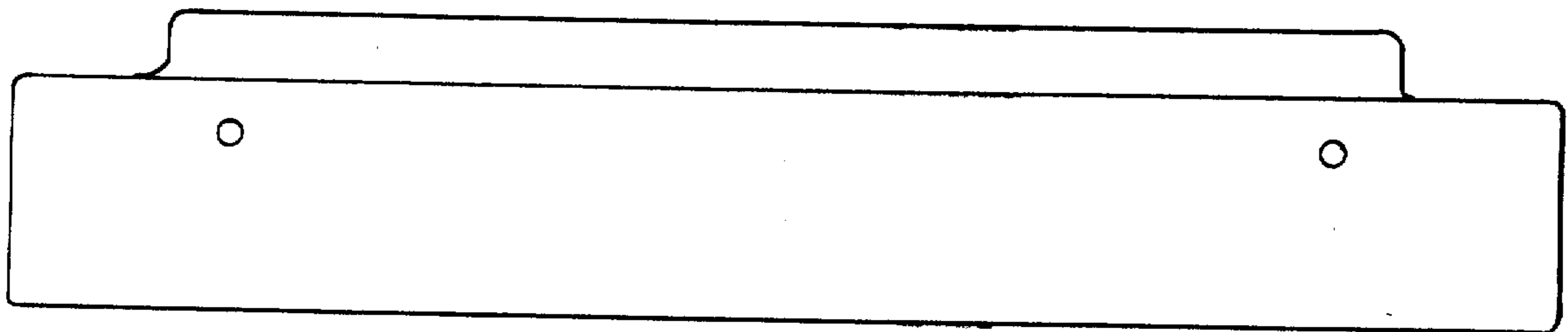


FIG. 2

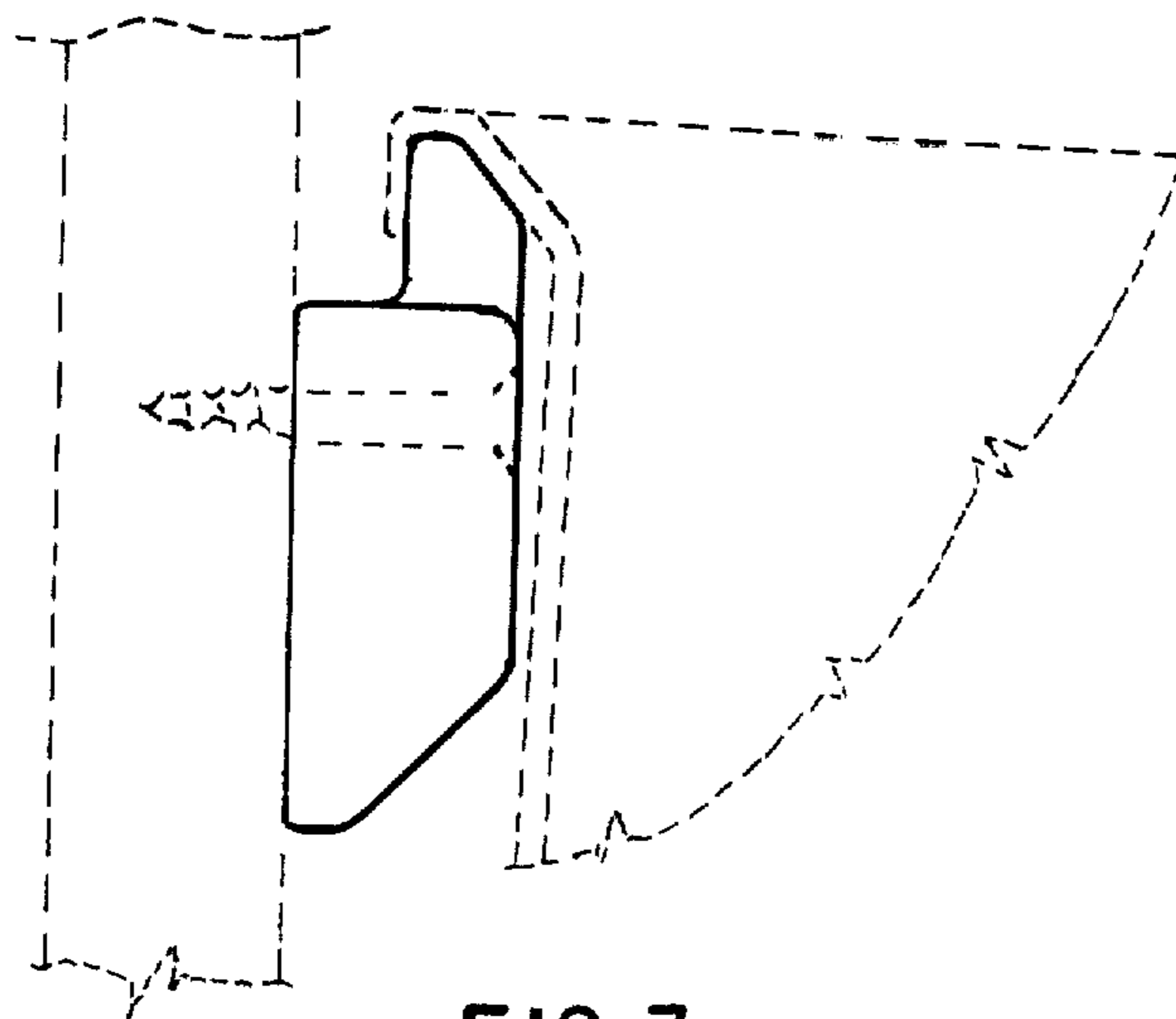


FIG. 3