

[54] RECORD BRUSH OR SIMILAR ARTICLE

[75] Inventor: Virgil R. Friebel, Longmont, Colo.

[73] Assignee: Ball Corporation, Muncie, Ind.

[\*\*] Term: 14 Years

[21] Appl. No.: 29,580

[22] Filed: Apr. 11, 1979

[51] Int. Cl. .... D7-05

[52] U.S. Cl. .... D32/40

[58] Field of Search ..... D4/1-38;  
D7/178; 15/104 R, 104 A, 159 R, 159 A, 160,  
167 B, 208, 209 R, 210 R, 244; 274/47

[56] References Cited

U.S. PATENT DOCUMENTS

- D. 153,413 4/1949 Baumgartner ..... D4/13
- D. 190,559 6/1961 Vallis ..... D4/13
- D. 221,822 9/1971 Kieves ..... D4/23.1
- D. 245,307 8/1977 Mont ..... D7/161 X

- D. 255,088 5/1980 Arbib ..... D4/7 X
- 3,965,520 6/1976 Maier ..... 274/47 X

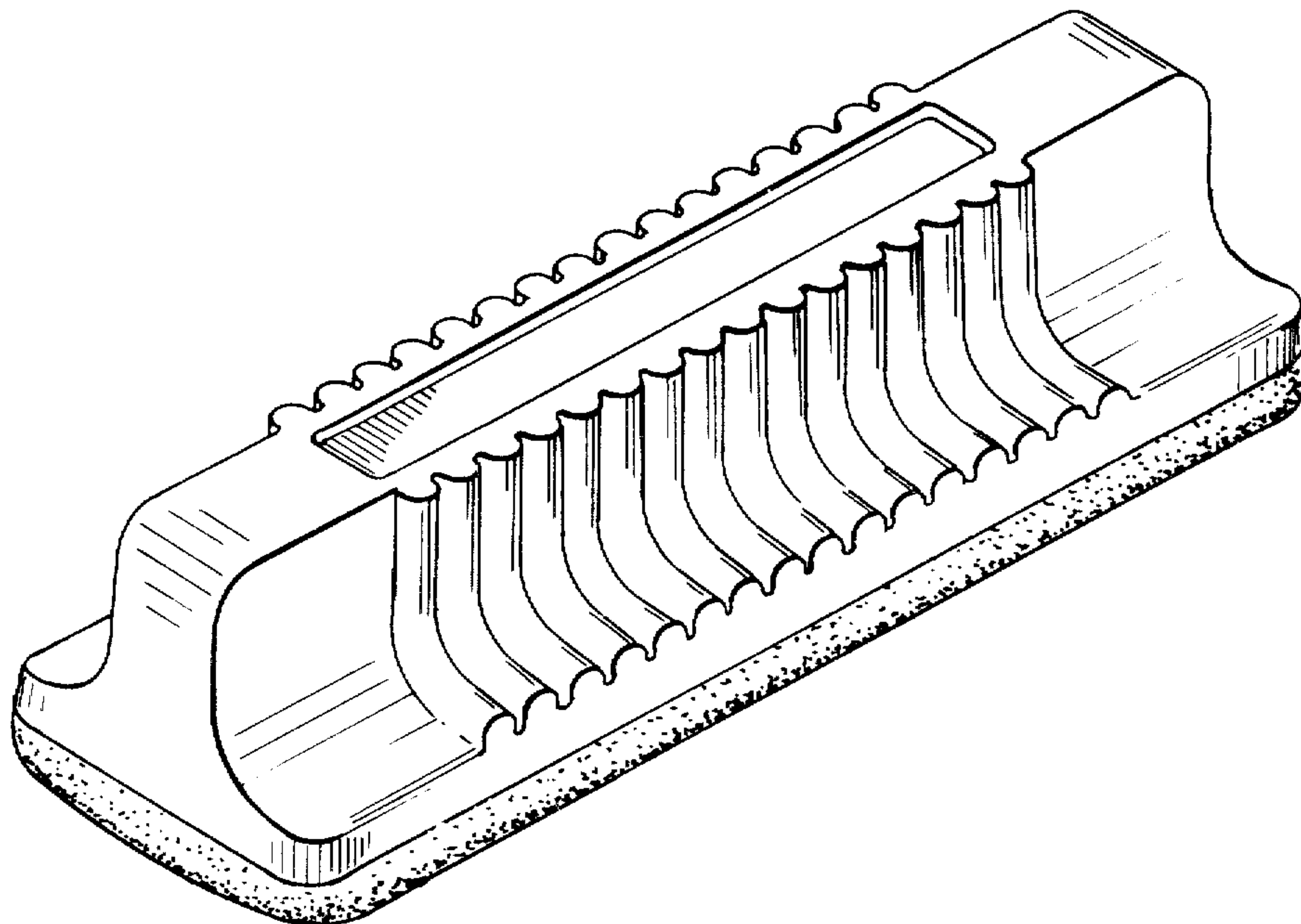
Primary Examiner—Catherine E. Kemper  
Attorney, Agent, or Firm—Jenkins, Coffey, Hyland,  
Badger & Conard

[57] CLAIM

The ornamental design for a record brush or similar article, as shown.

DESCRIPTION

FIG. 1 is a perspective view of a record brush, showing my new design;  
 FIG. 2 is an end elevational view thereof;  
 FIG. 3 is an elevational view of the opposite end thereof;  
 FIG. 4 is a side elevational view thereof;  
 FIG. 5 is a top plan view thereof;  
 FIG. 6 is an elevational view of the side opposite that shown in FIG. 4.  
 FIG. 7 is a bottom plan view thereof.



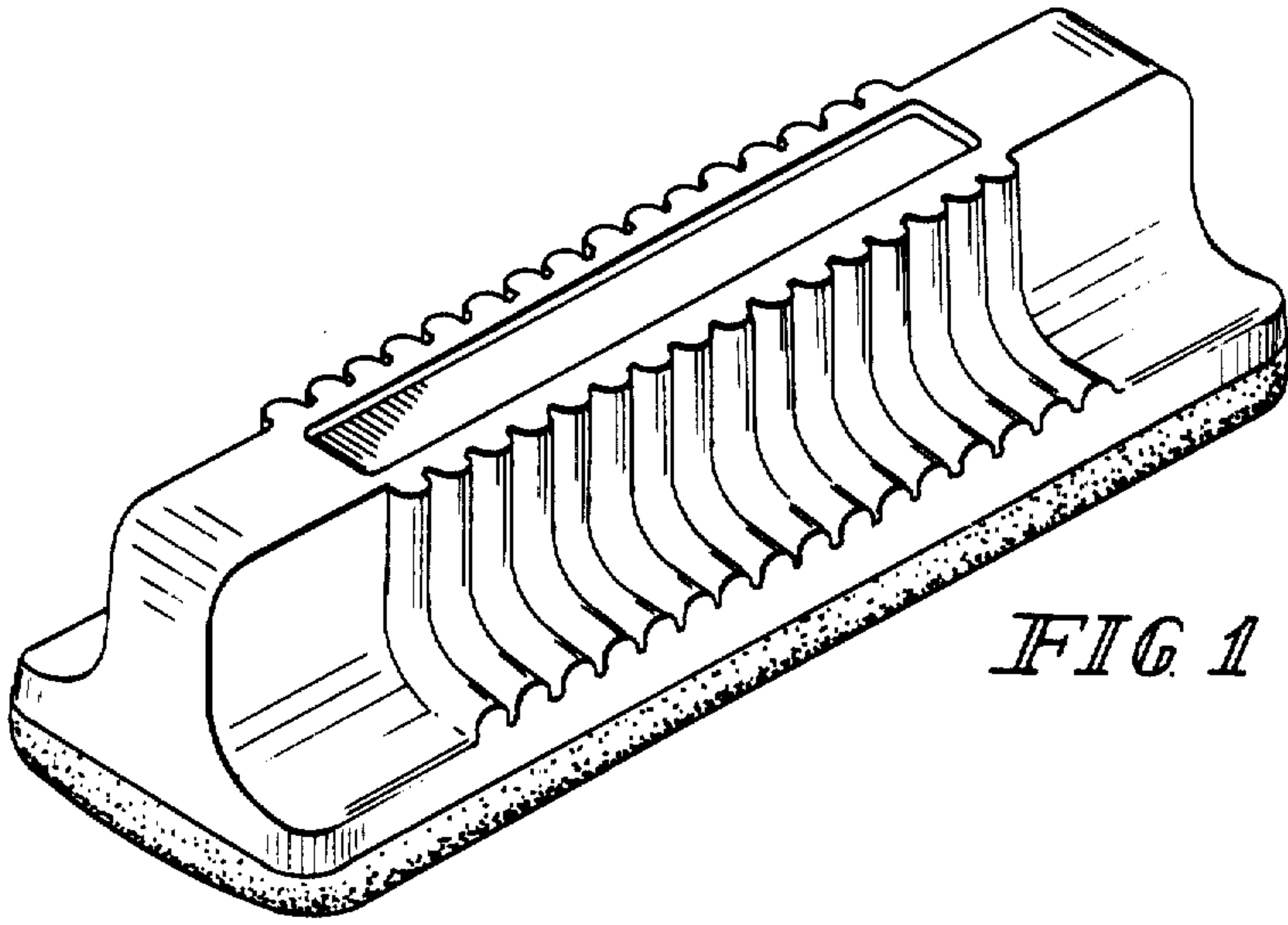


FIG 1

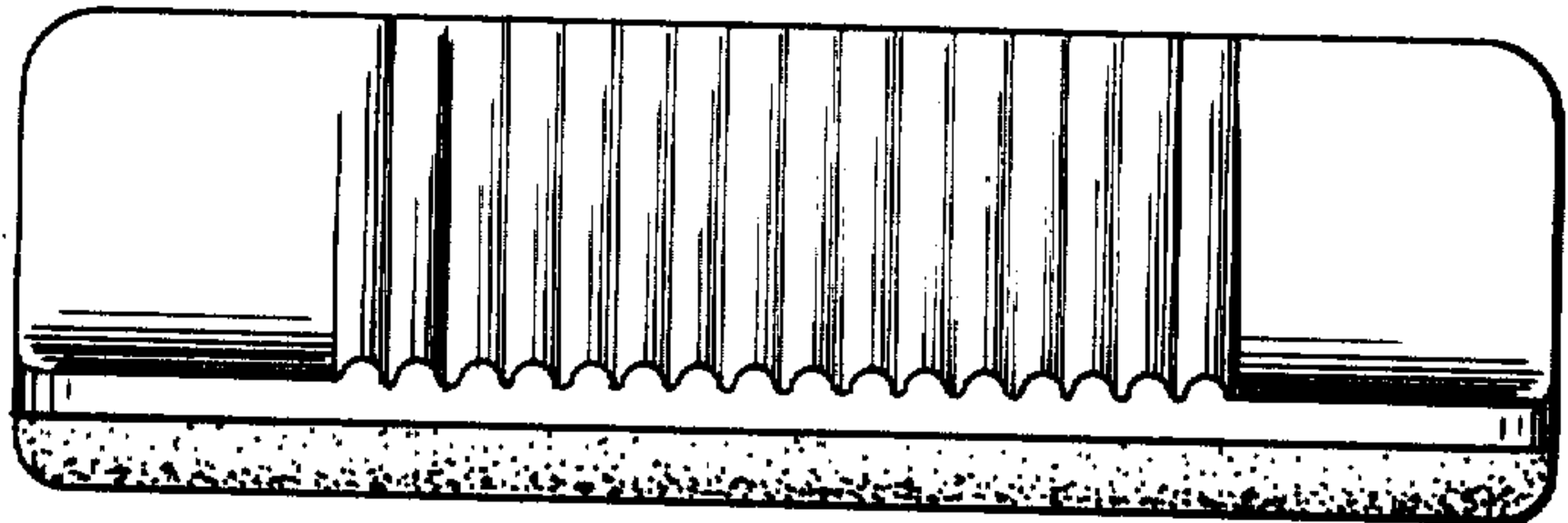


FIG 4

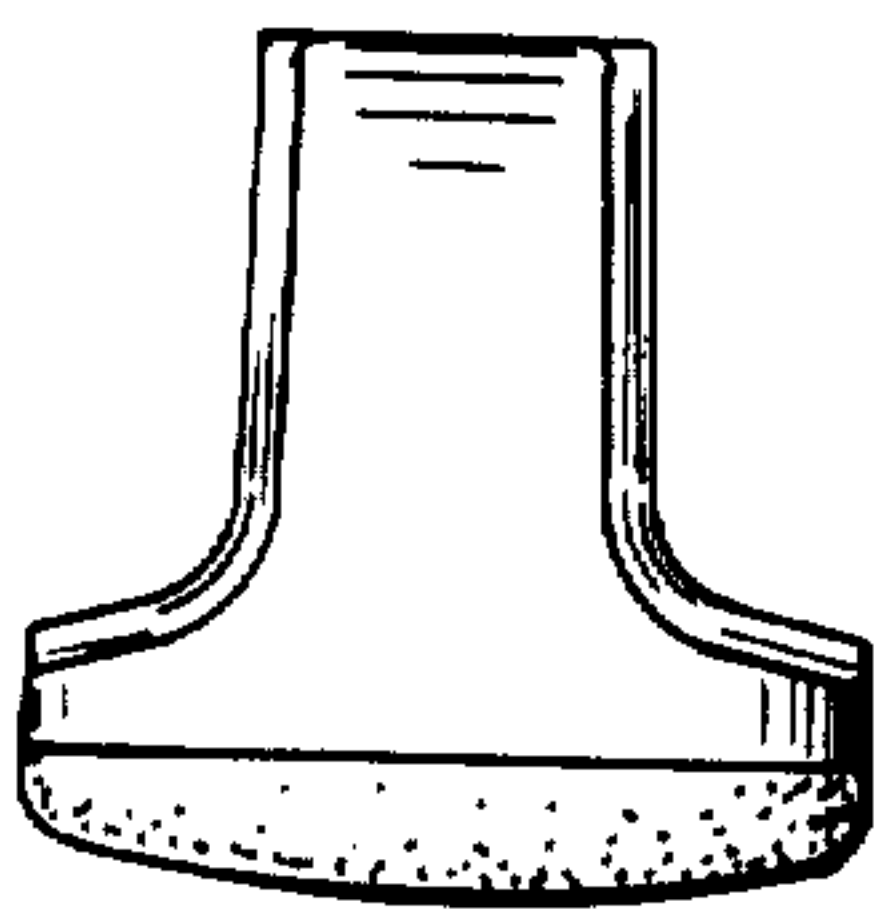


FIG 2

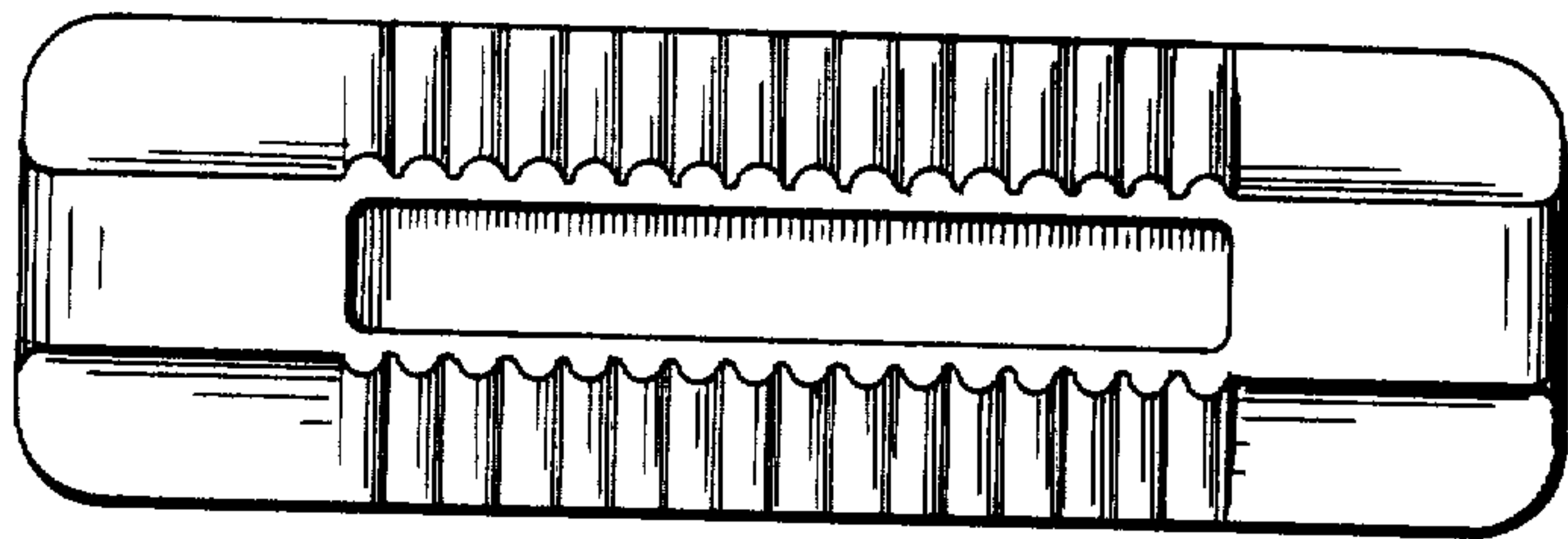


FIG 5

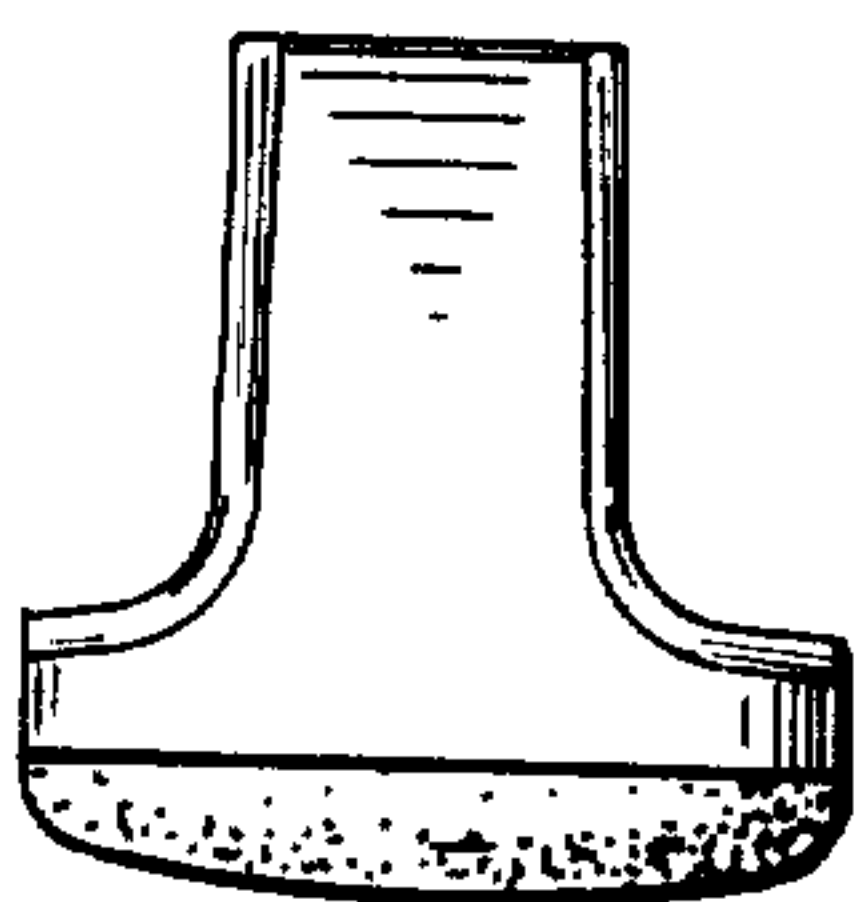


FIG 3

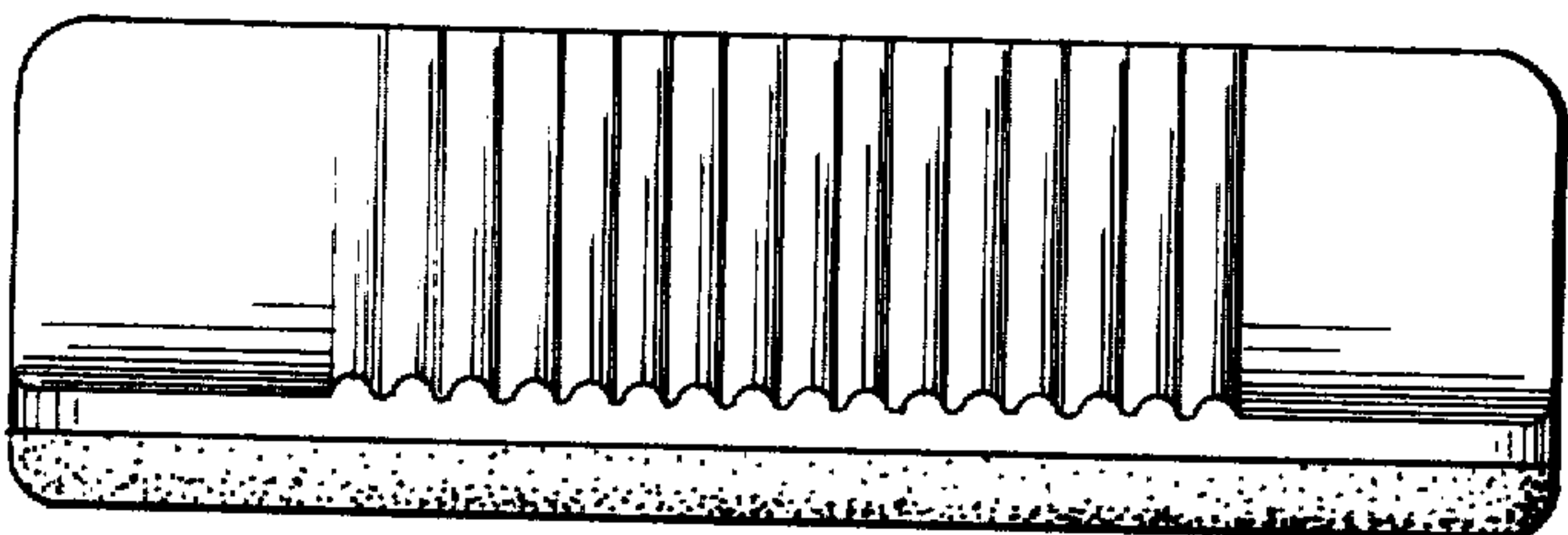


FIG 6

FIG 7

