

[54] COVER FOR A FOOD CONTAINER

[75] Inventor: Rino Conti, Stoughton, Mass.

[73] Assignee: Dart Industries Inc., Los Angeles, Calif.

[*] Notice: The portion of the term of this patent subsequent to Jan. 20, 1995, has been disclaimed.

[**] Term: 14 Years

[21] Appl. No.: 11,245

[22] Filed: Feb. 12, 1979

[51] Int. Cl. D07-01; D07-07

[52] U.S. Cl. D7/131; D9/435

[58] Field of Search D7/40, 16, 76, 131; D9/219, 237, 238, 239, 242, 254

[56]

References Cited

U.S. PATENT DOCUMENTS

D. 213,390	2/1969	Bruce	D7/40
D. 232,703	9/1974	Konzi	D9/237
D. 239,818	5/1976	Vatne	D9/254
D. 241,599	9/1976	Croyle et al.	D7/16 X
2,585,180	2/1952	Smith	D7/131 X
2,885,135	5/1959	Friday	D9/219 X

Primary Examiner—Winifred E. Herrmann
Attorney, Agent, or Firm—Leigh B. Taylor

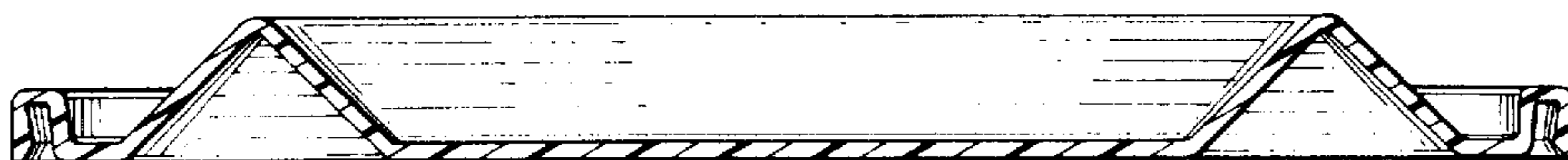
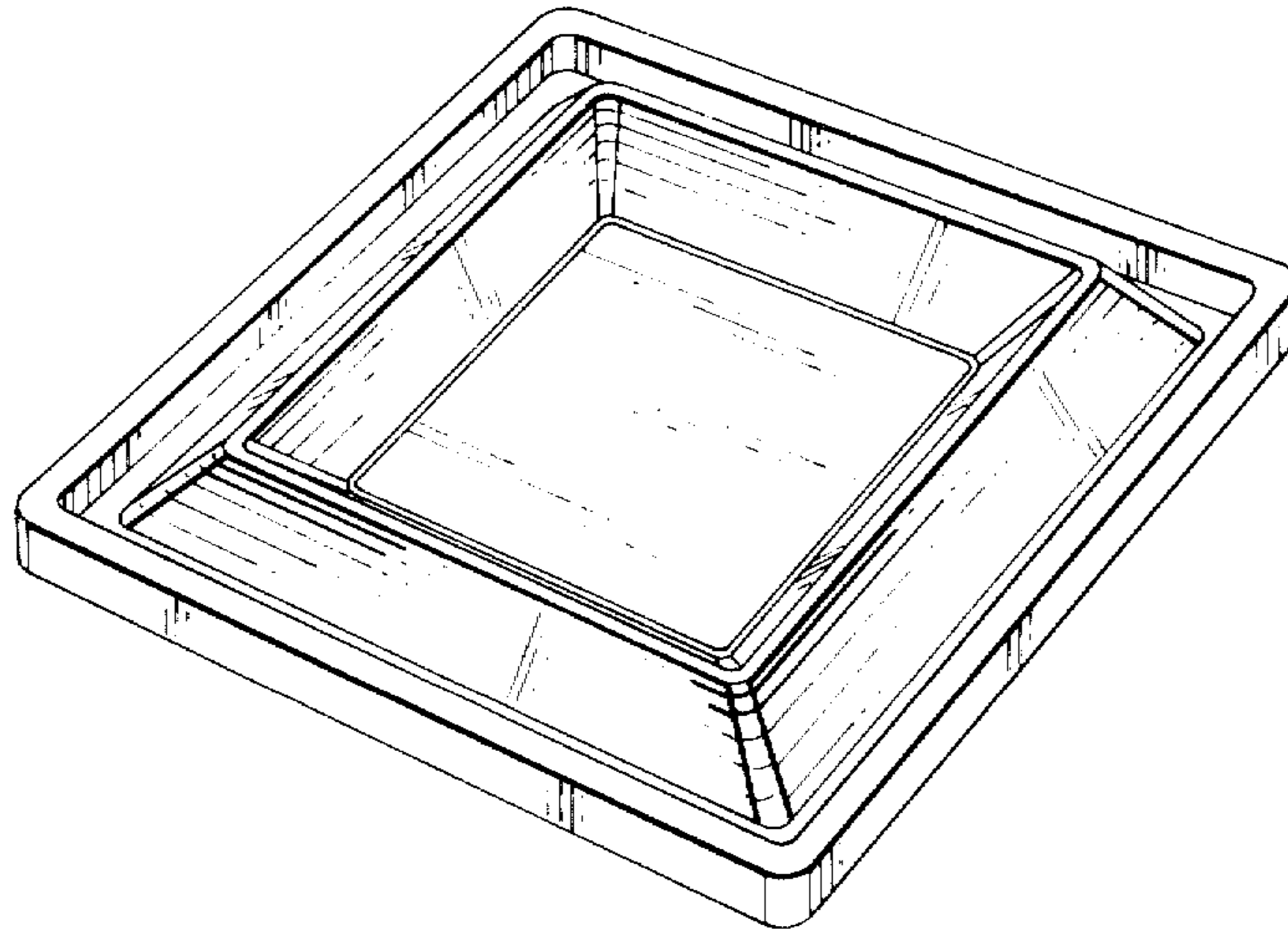
[57]

CLAIM

The ornamental design for a cover for a food container, substantially as shown.

DESCRIPTION

FIG. 1 is a top perspective view of a cover for a food container showing my new design; FIG. 2 is a side elevational view thereof; FIG. 3 is a top plan view thereof; FIG. 4 is a bottom plan view thereof; and FIG. 5 is an enlarged cross-sectional view thereof taken along line 5-5 of FIG. 3.



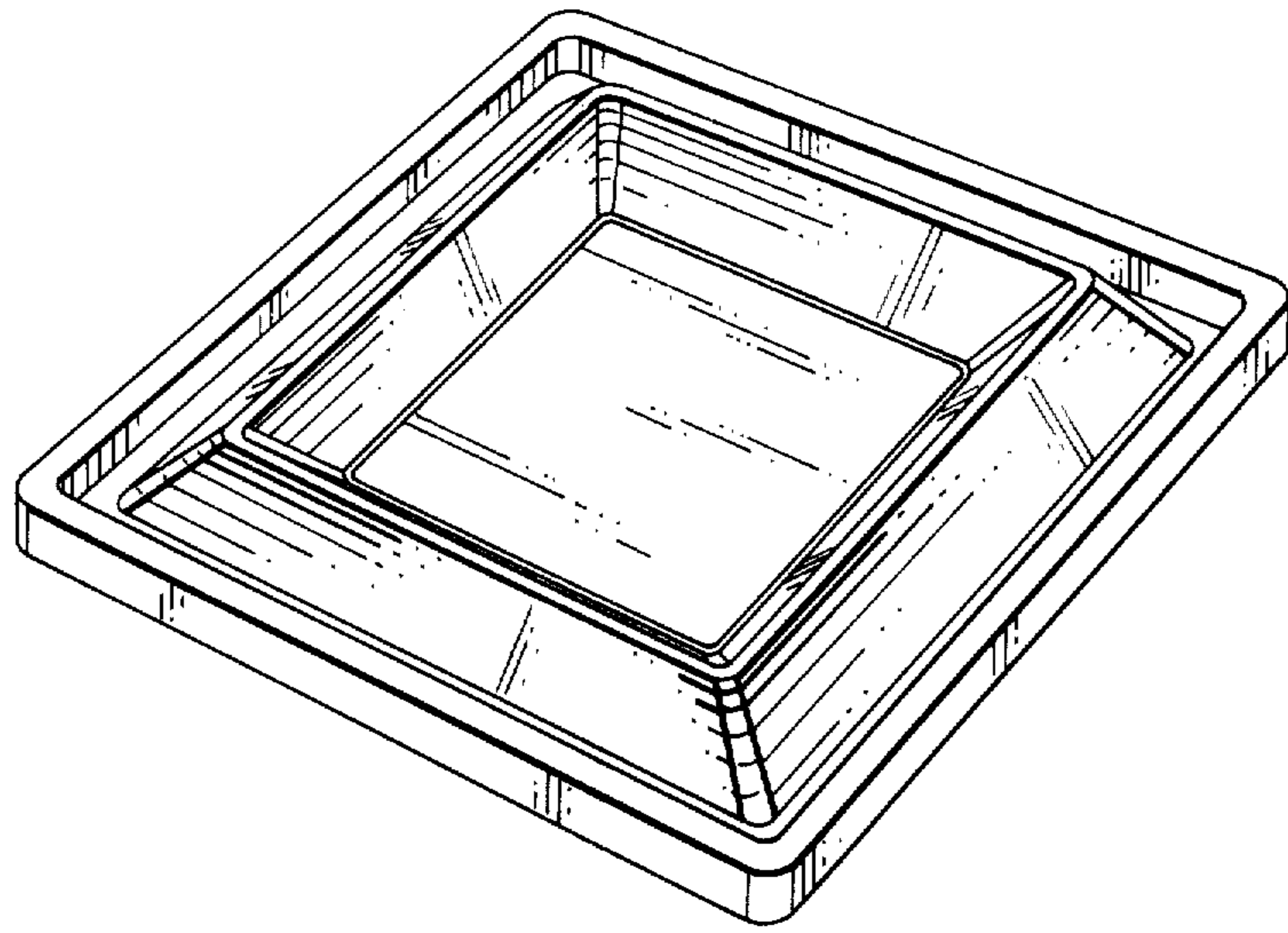


FIG. 1

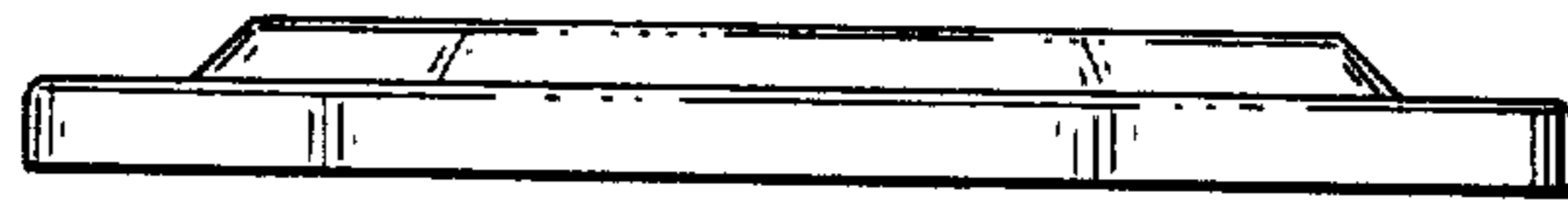


FIG. 2

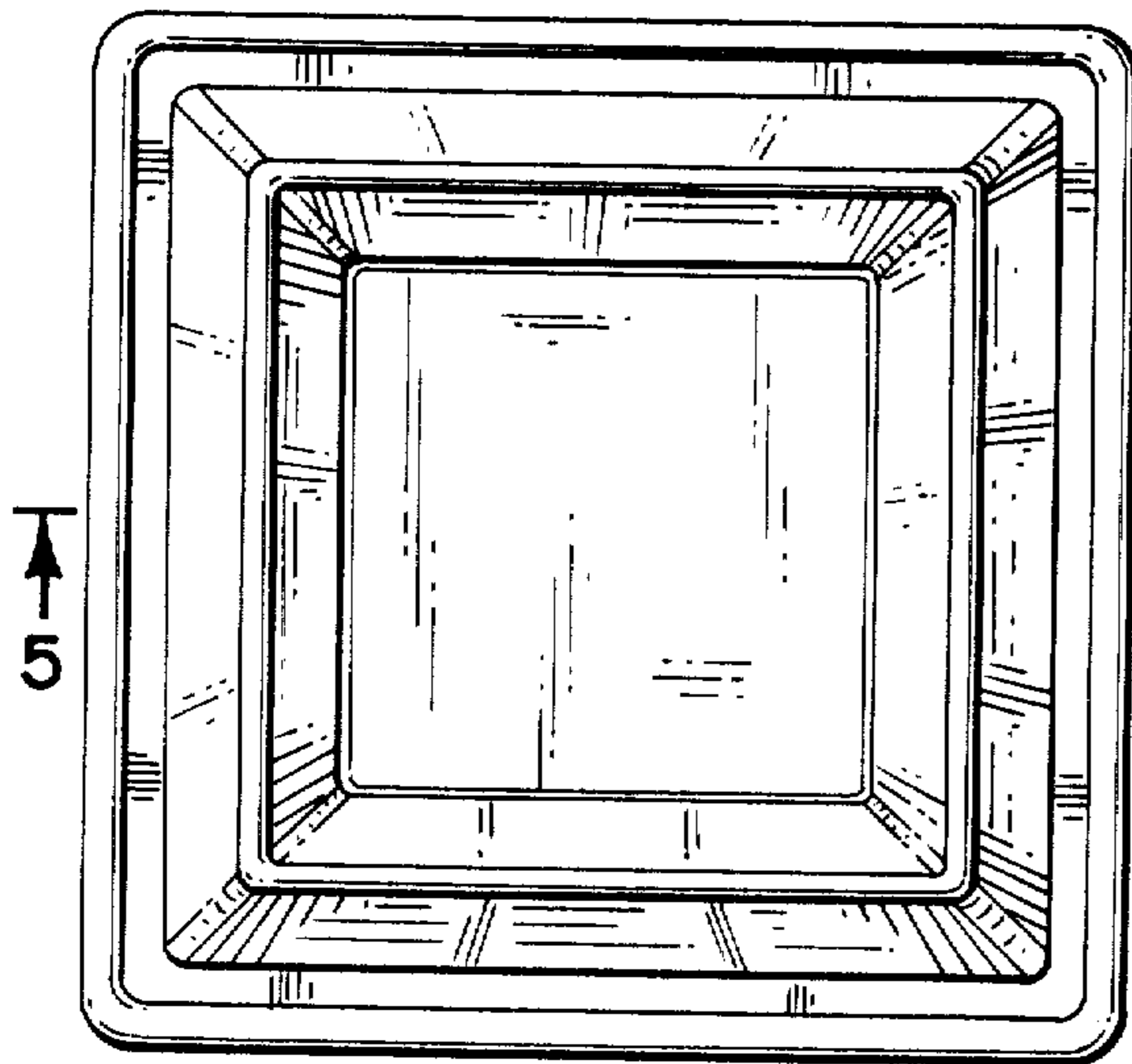


FIG. 3

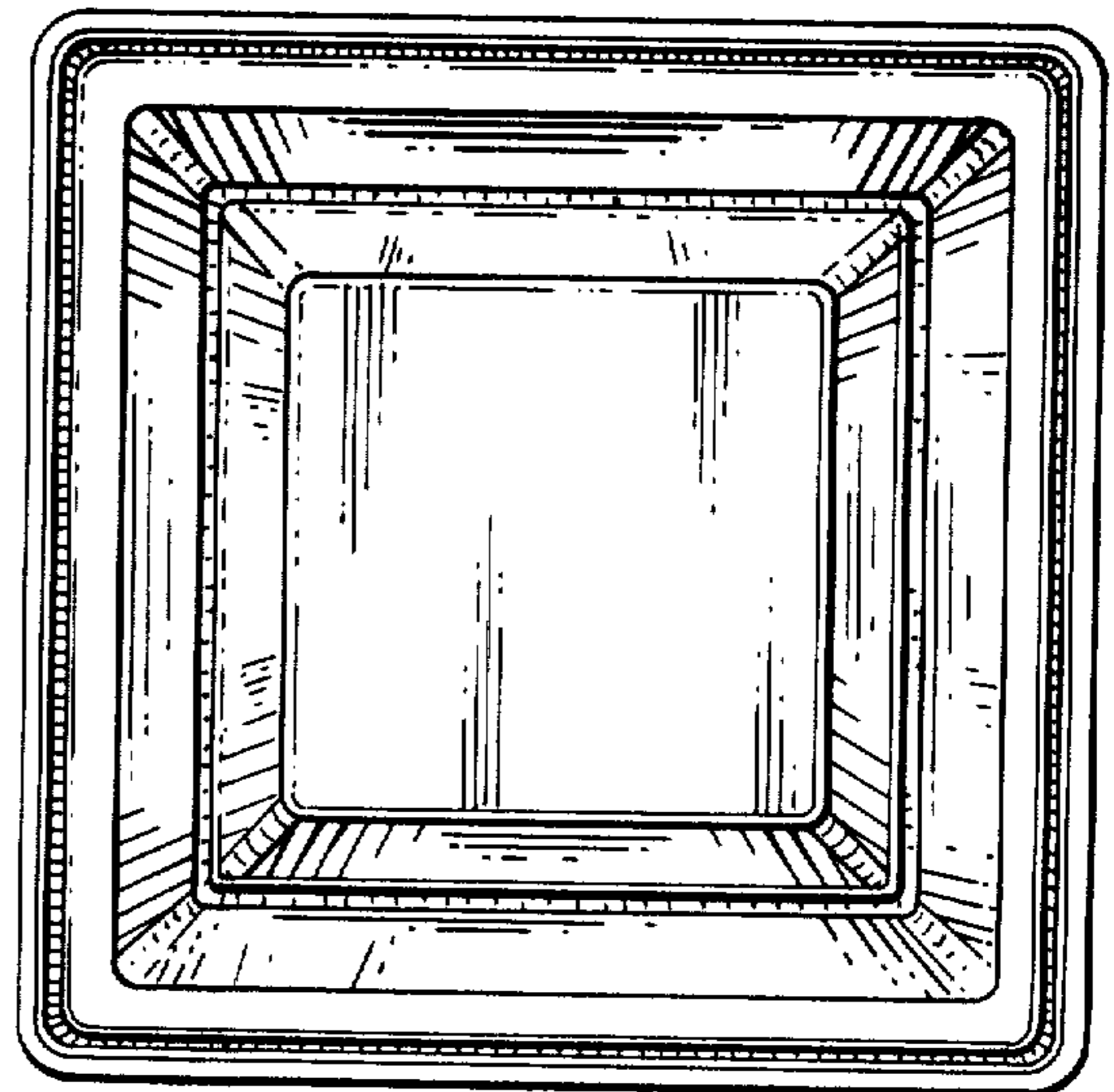


FIG. 4

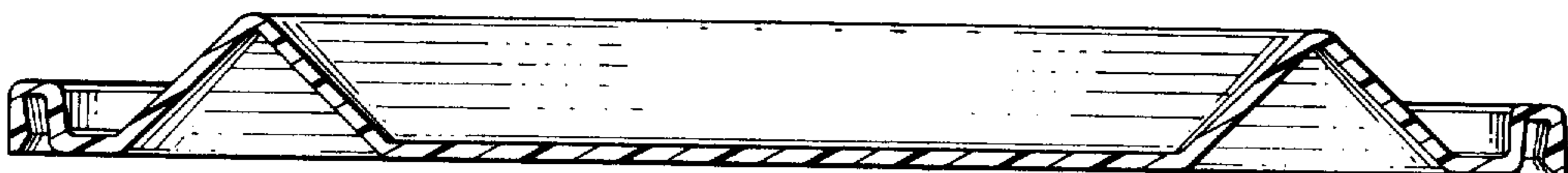


FIG. 5