

[54] BOLOGNA CUTTER

[76] Inventor: Nancy K. Gilmore, 109 Shamrock Dr., Summerville, S.C. 29483

[**] Term: 14 Years

[21] Appl. No.: 2,879

[22] Filed: Nov. 13, 1979

[51] Int. Cl. D07-04

[52] U.S. Cl. D7/43; D7/106

[58] Field of Search D7/43, 99, 41, 106; 30/302, 303

[56] References Cited

U.S. PATENT DOCUMENTS

D. 33,328 10/1900 Kent D7/106

D. 158,334 4/1950 Shaw D7/43
D. 246,411 11/1977 Blanchard D7/43
1,581,310 4/1926 Fetschan D7/106 X
2,631,331 3/1953 Babbitt D7/43 X

Primary Examiner—Winifred E. Herrmann

[57] CLAIM

The ornamental design for a bologna cutter, as shown.

DESCRIPTION

FIG. 1 is a side elevational view of a bologna cutter showing my new design;

FIG. 2 is a bottom plan view thereof;

FIG. 3 is a top plan view thereof;

FIG. 4 is a cross-sectional view thereof taken on line 4-4 of FIG. 3;

FIG. 5 is a bottom perspective view thereof.

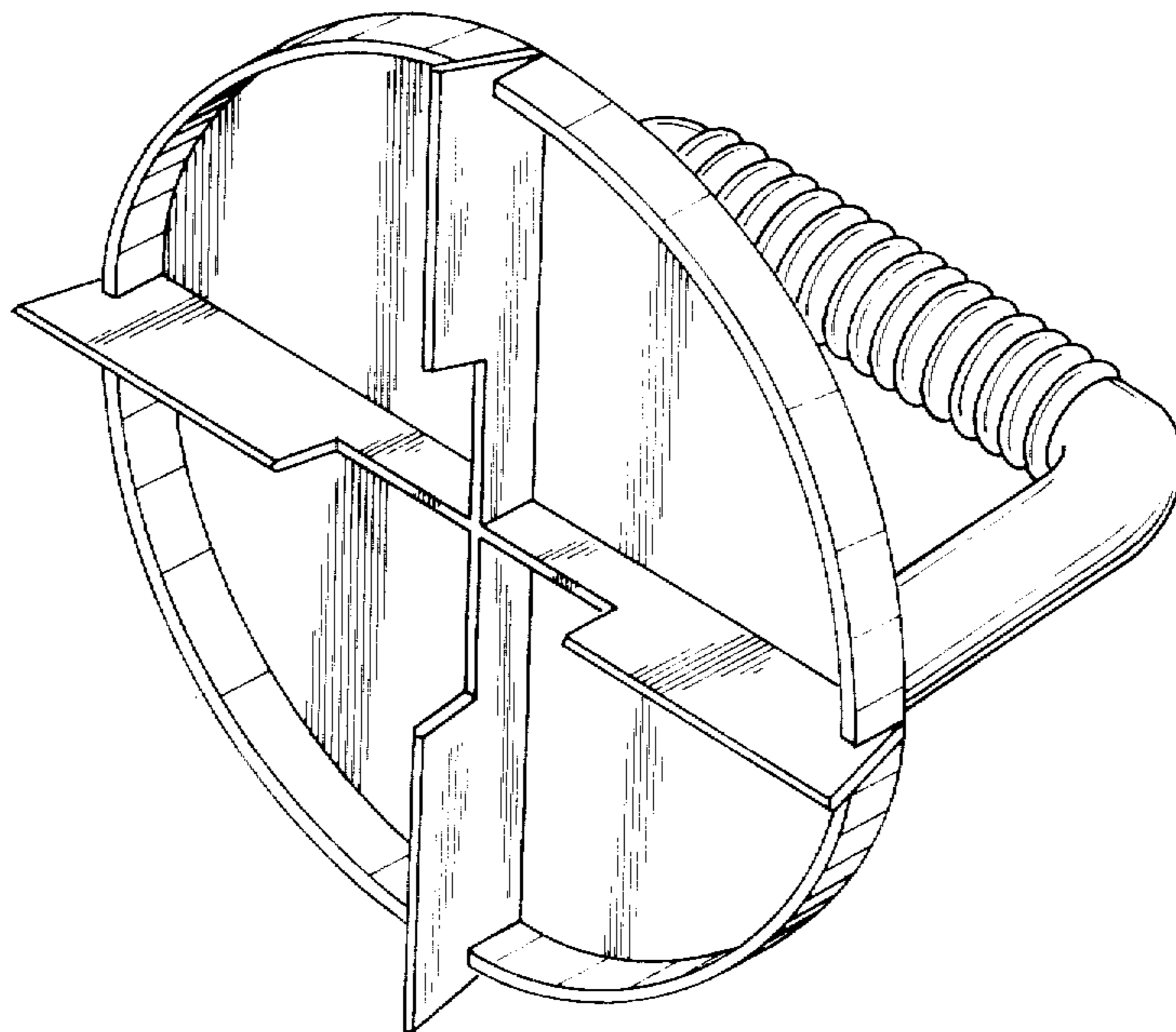
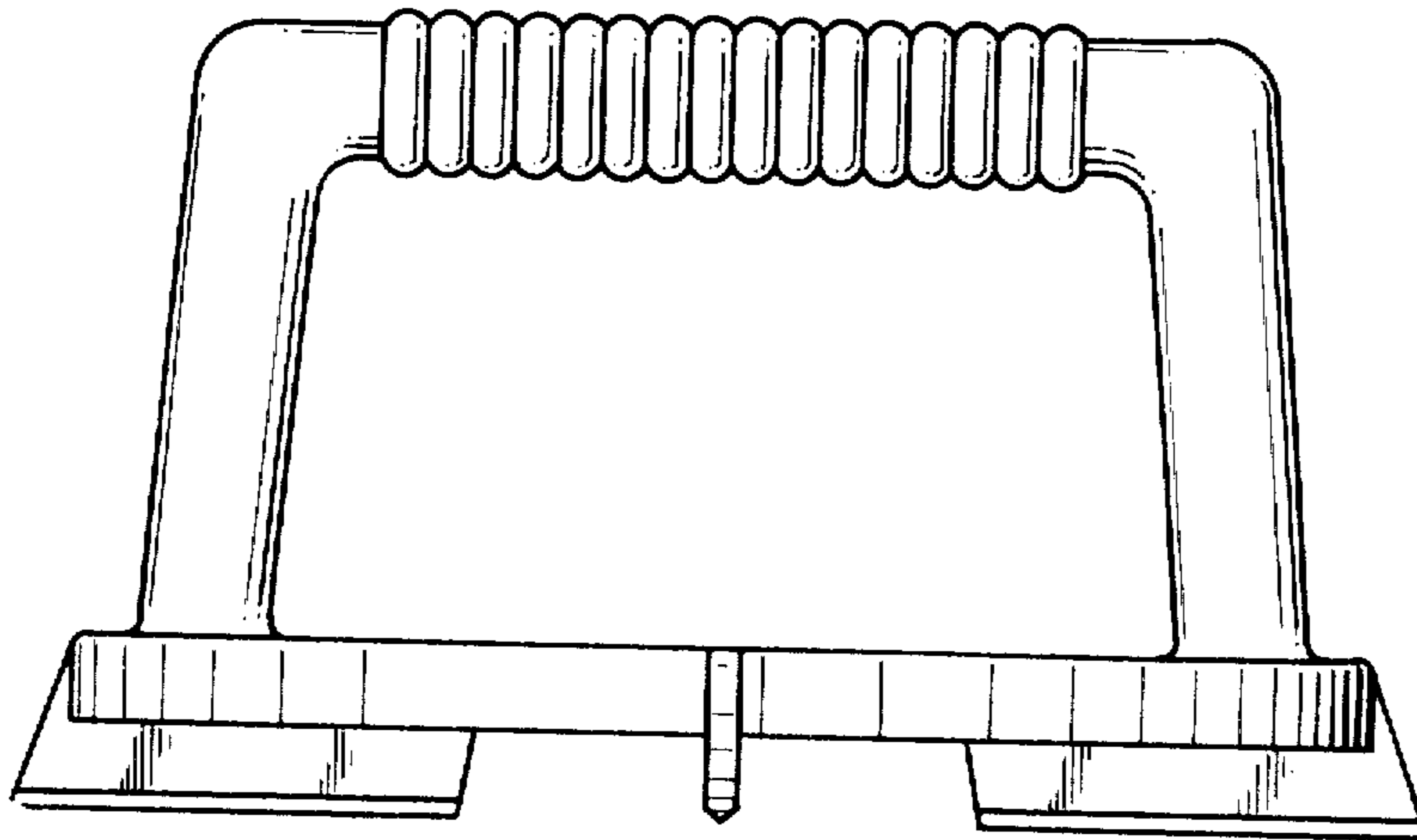


FIG. 1

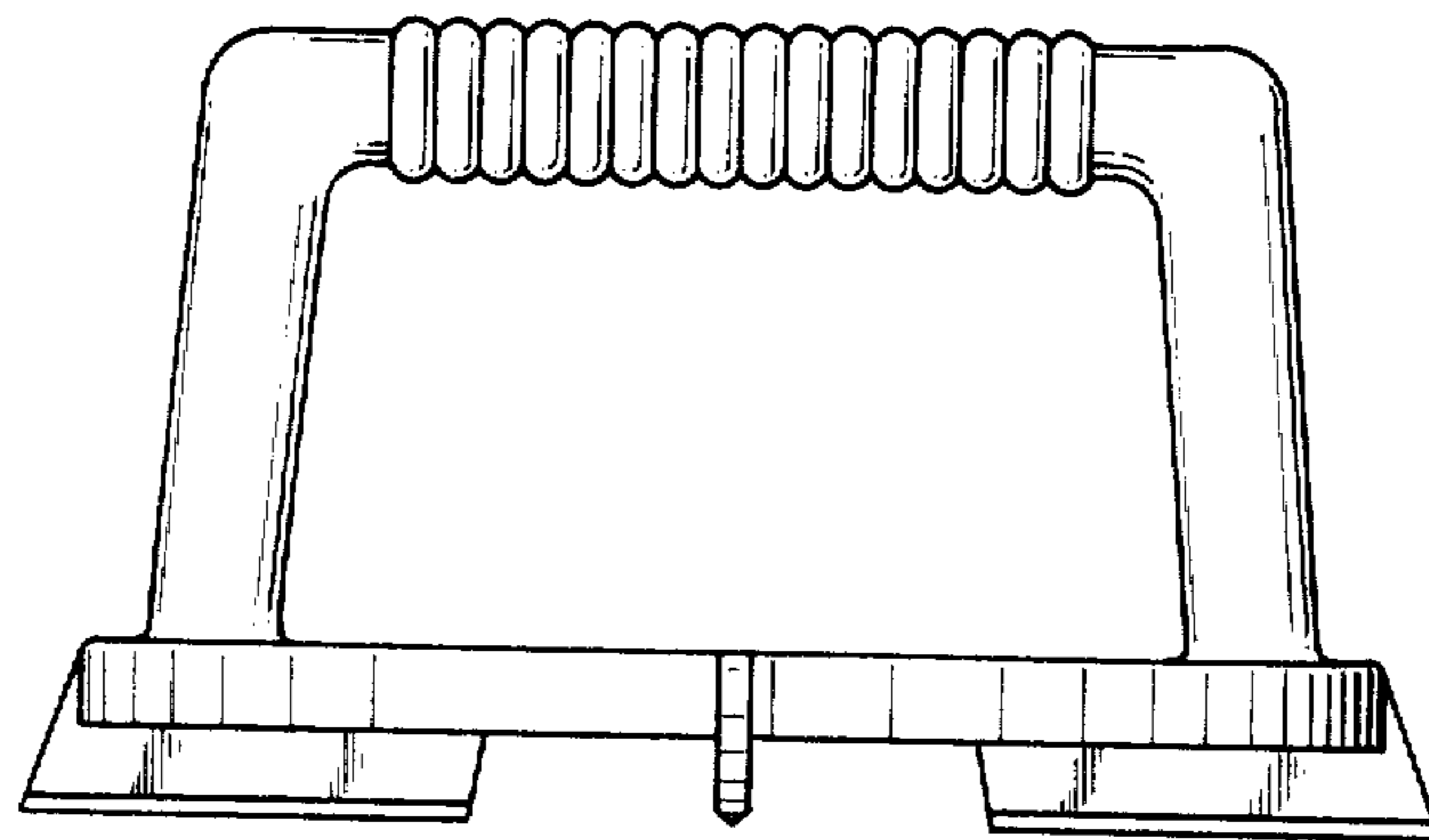


FIG. 2

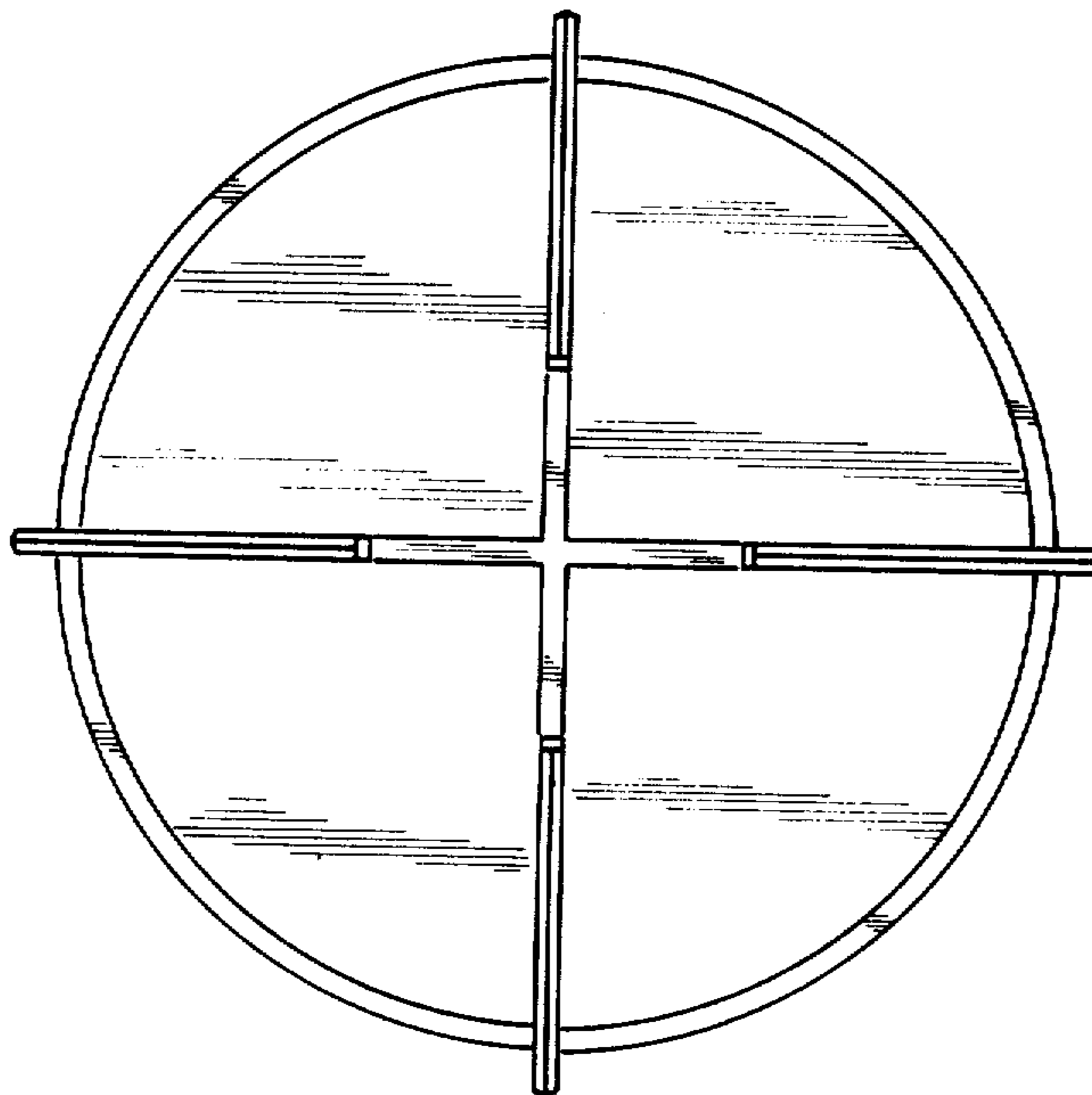


FIG. 3

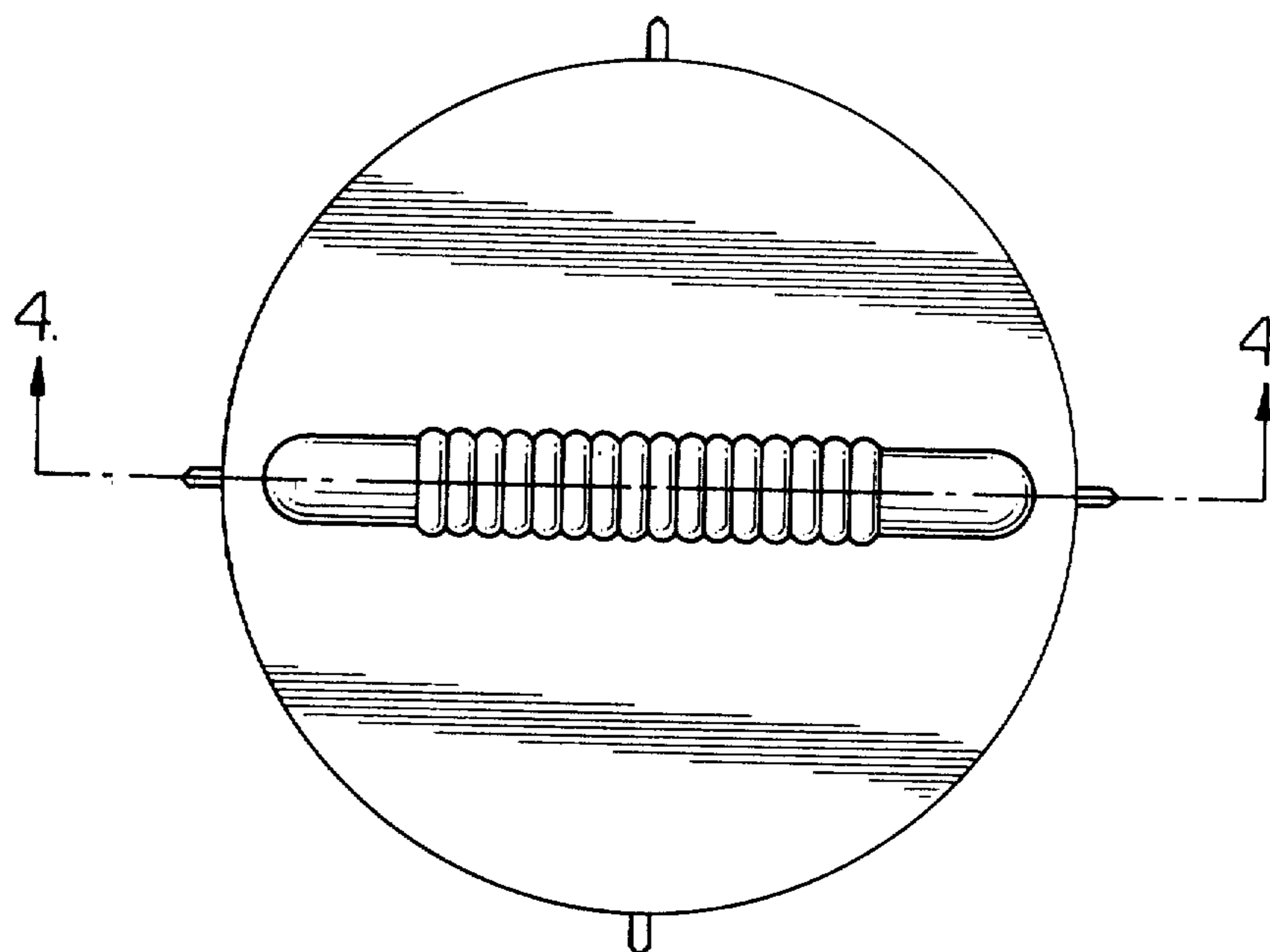


FIG. 4

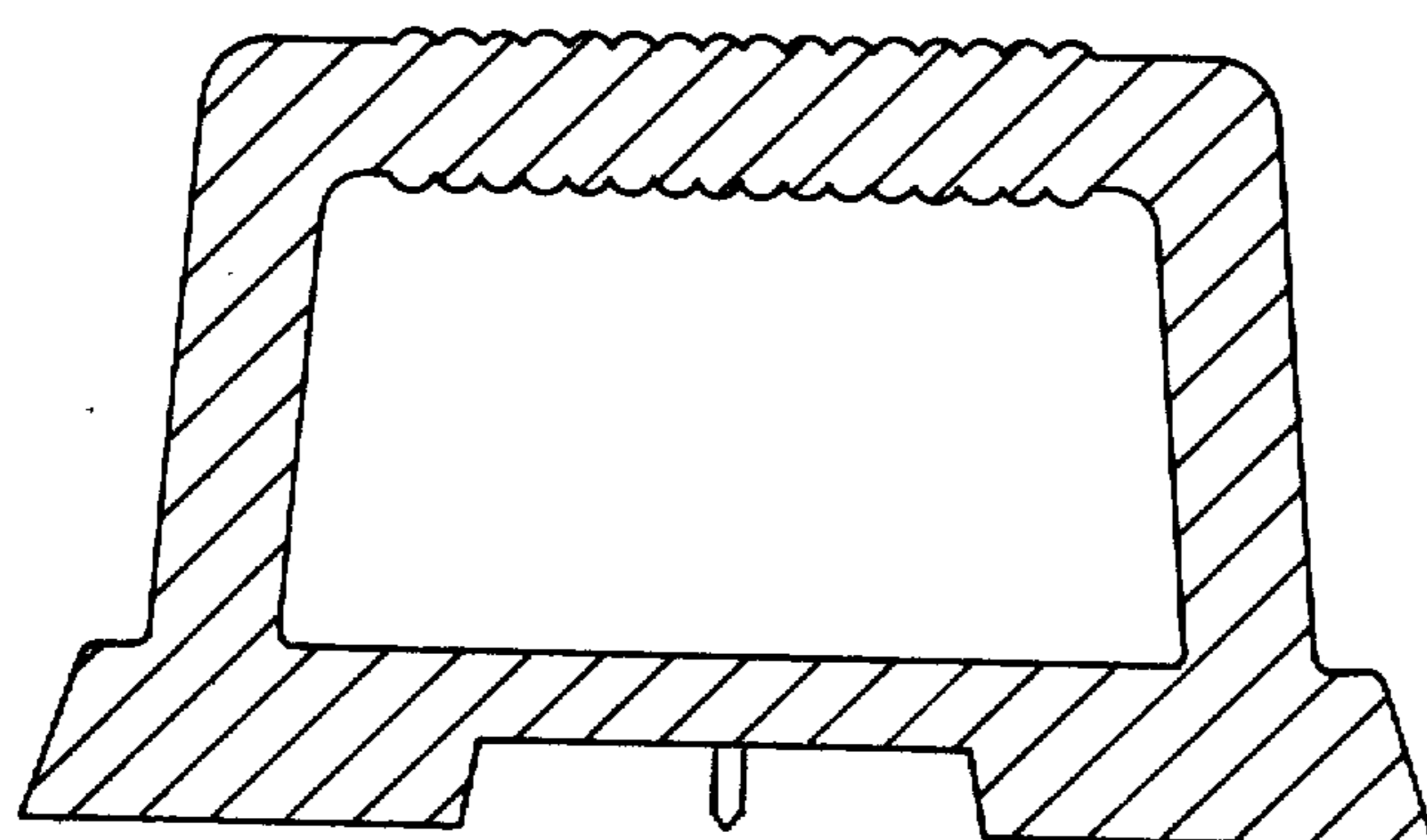


FIG. 5

