

[54] **TABLE OR SIMILAR ARTICLE**

[75] Inventors: **Lydia de Polo; Jack G. Dunbar**, both of New York, N.Y.

[73] Assignee: **General Mills, Inc.**, Minneapolis, Minn.

[\*\*] Term: **14 Years**

[21] Appl. No.: **45,155**

[22] Filed: **Jun. 4, 1979**

[51] Int. Cl. .... **D06—03**

[52] U.S. Cl. .... **D6/177**

[58] Field of Search ..... **D6/158, 159, 160, 161, 165, 166, 167, 168, 169, 170, 177, 178, 179, 146; 312/111, 263, 107**

[56] **References Cited**

**U.S. PATENT DOCUMENTS**

- D. 141,354 5/1945 Brandenburger ..... D6/161
- D. 141,359 5/1945 Carlson et al. .... D6/158
- 3,870,390 3/1975 Herrmann ..... 312/263

**FOREIGN PATENT DOCUMENTS**

- 6411238 3/1966 Netherlands ..... 312/111

**OTHER PUBLICATIONS**

*Intrex* Jul. 1977; p. 51, Desk #11435, bottom left of page.

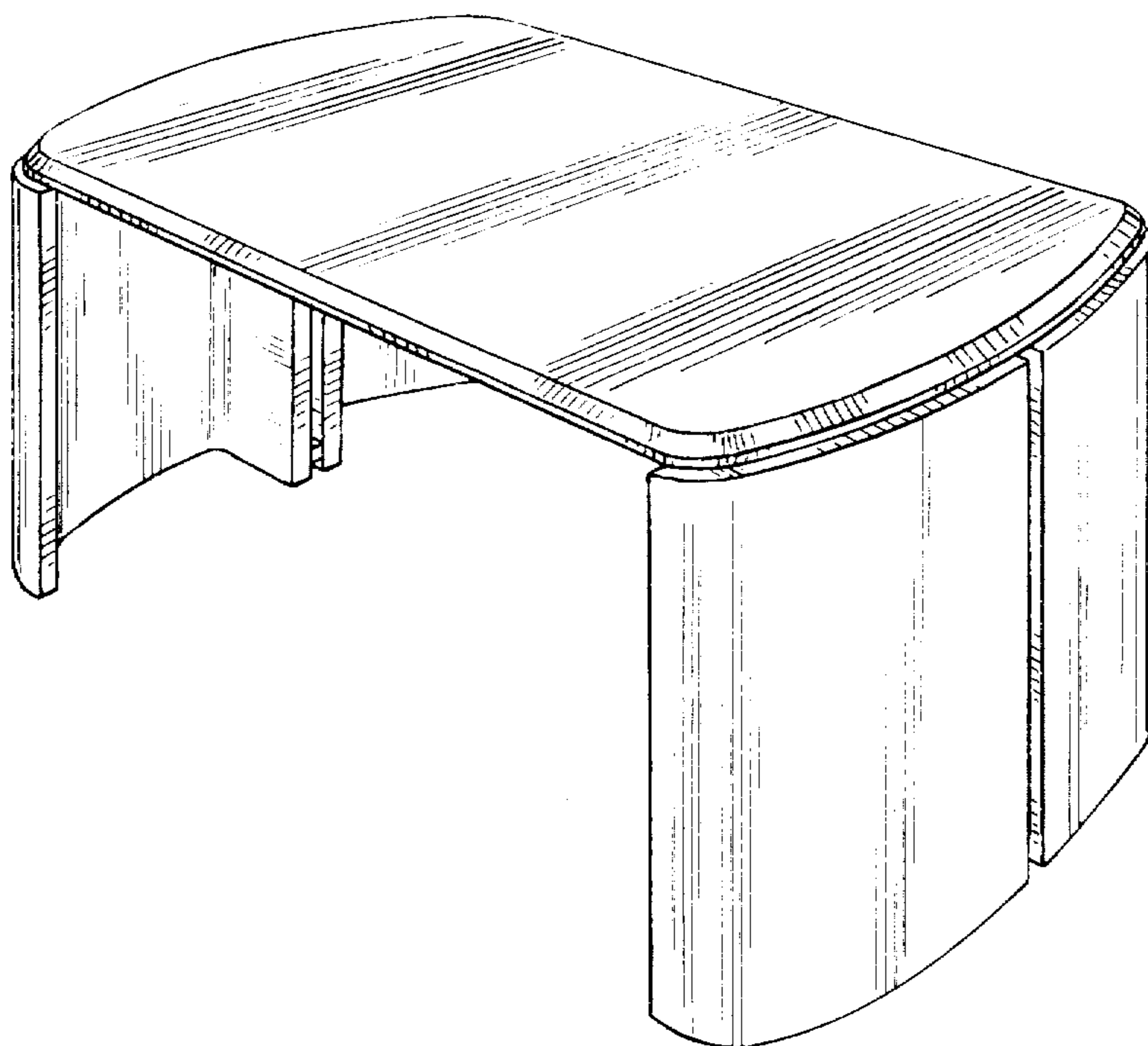
*Primary Examiner*—Joel Stearman  
*Assistant Examiner*—Carmen H. Vales  
*Attorney, Agent, or Firm*—L. MeRoy Lillehaugen; Gene O. Enockson

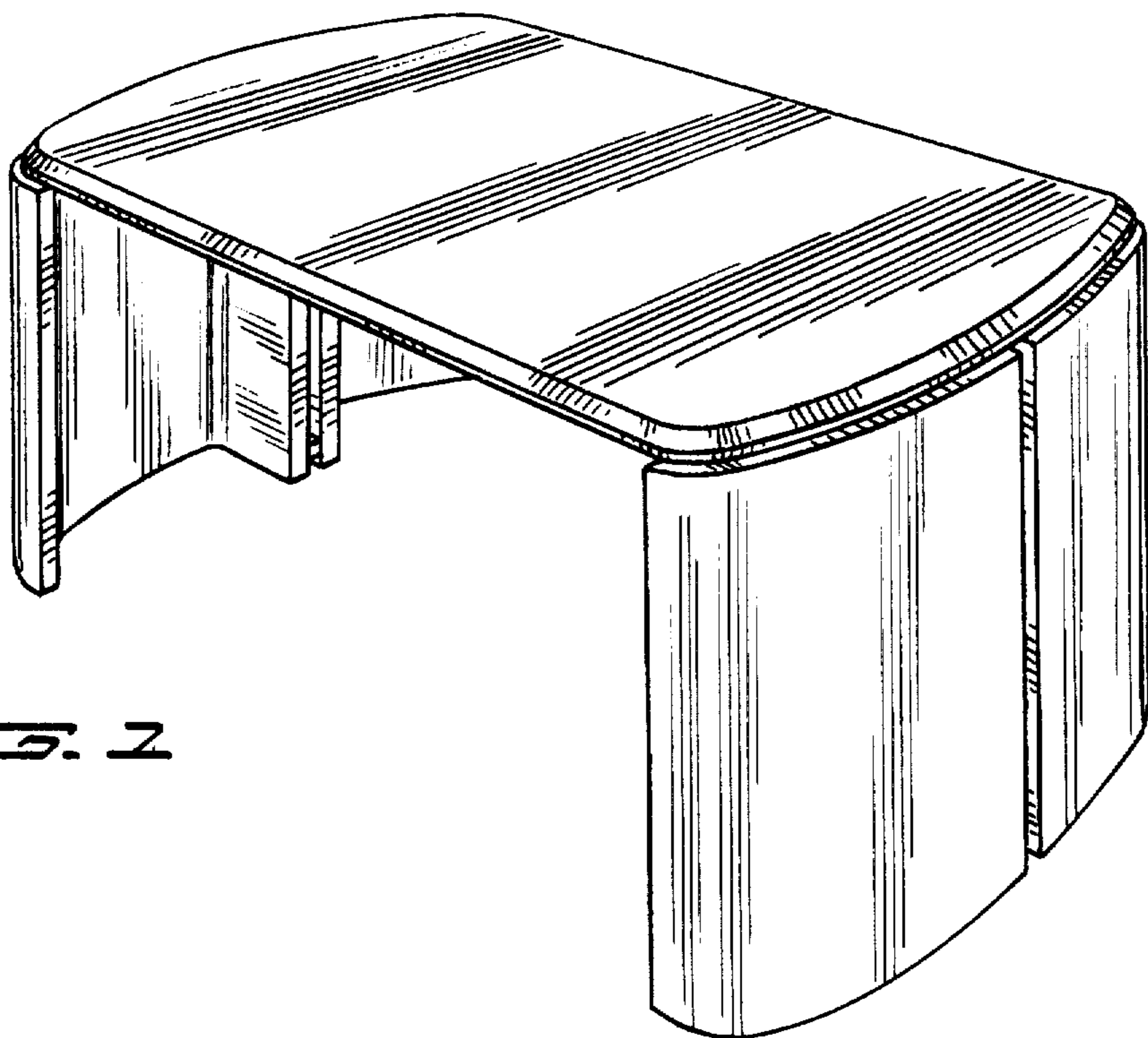
[57] **CLAIM**

The ornamental design for a table or similar article, substantially as shown and described.

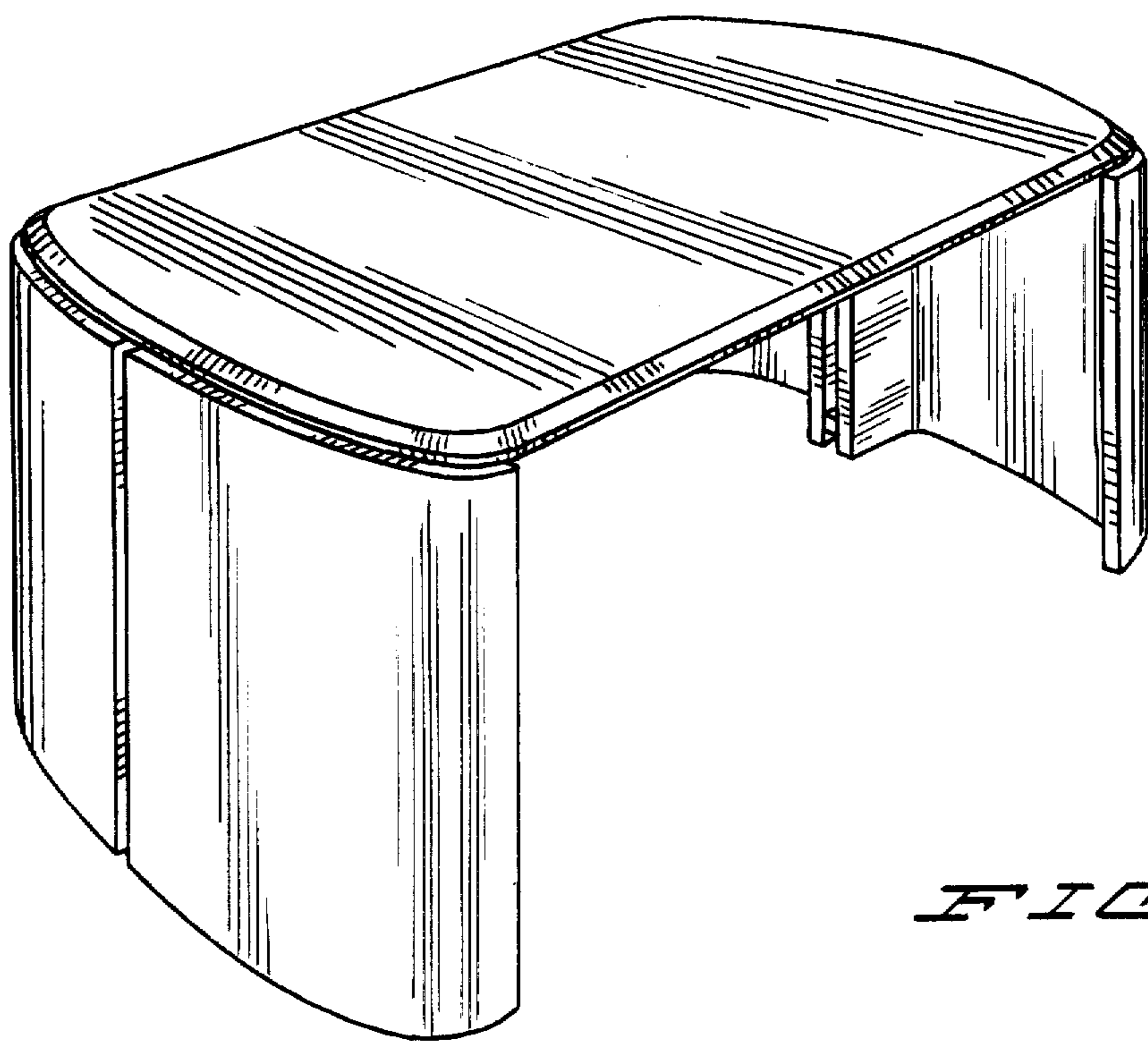
**DESCRIPTION**

FIG. 1 is a front perspective view of a table or similar article showing our new design;  
FIG. 2 is a rear perspective view thereof;  
FIG. 3 is a top plan view thereof;  
FIG. 4 is a front elevational view thereof, a view from the rear being substantially identical thereto;  
FIG. 5 is a side elevational view thereof, as viewed from the left of FIG. 4;  
FIG. 6 is a side elevational view thereof, as viewed from the right of FIG. 4; and  
FIG. 7 is a bottom plan view thereof.



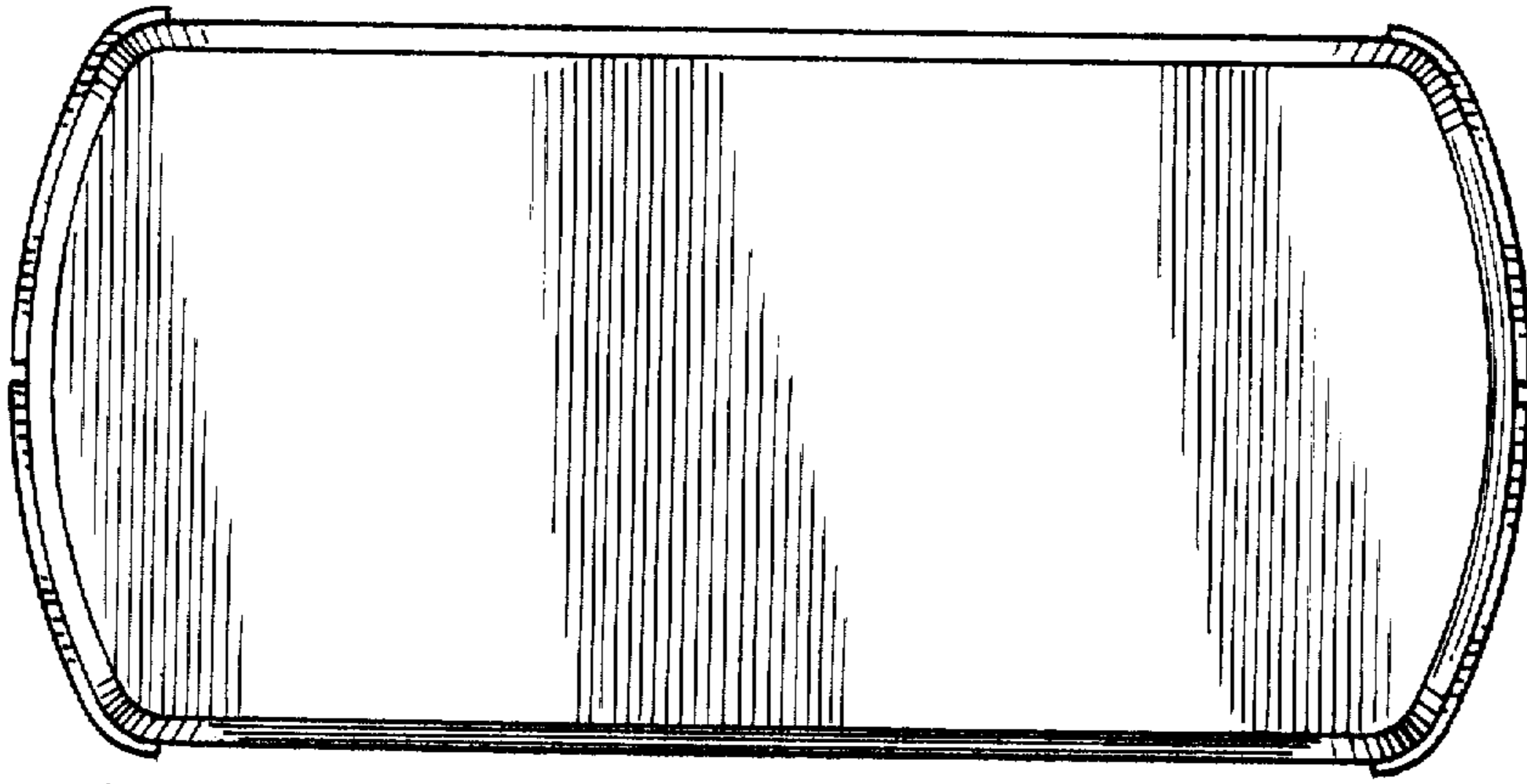


*FIG. 1*

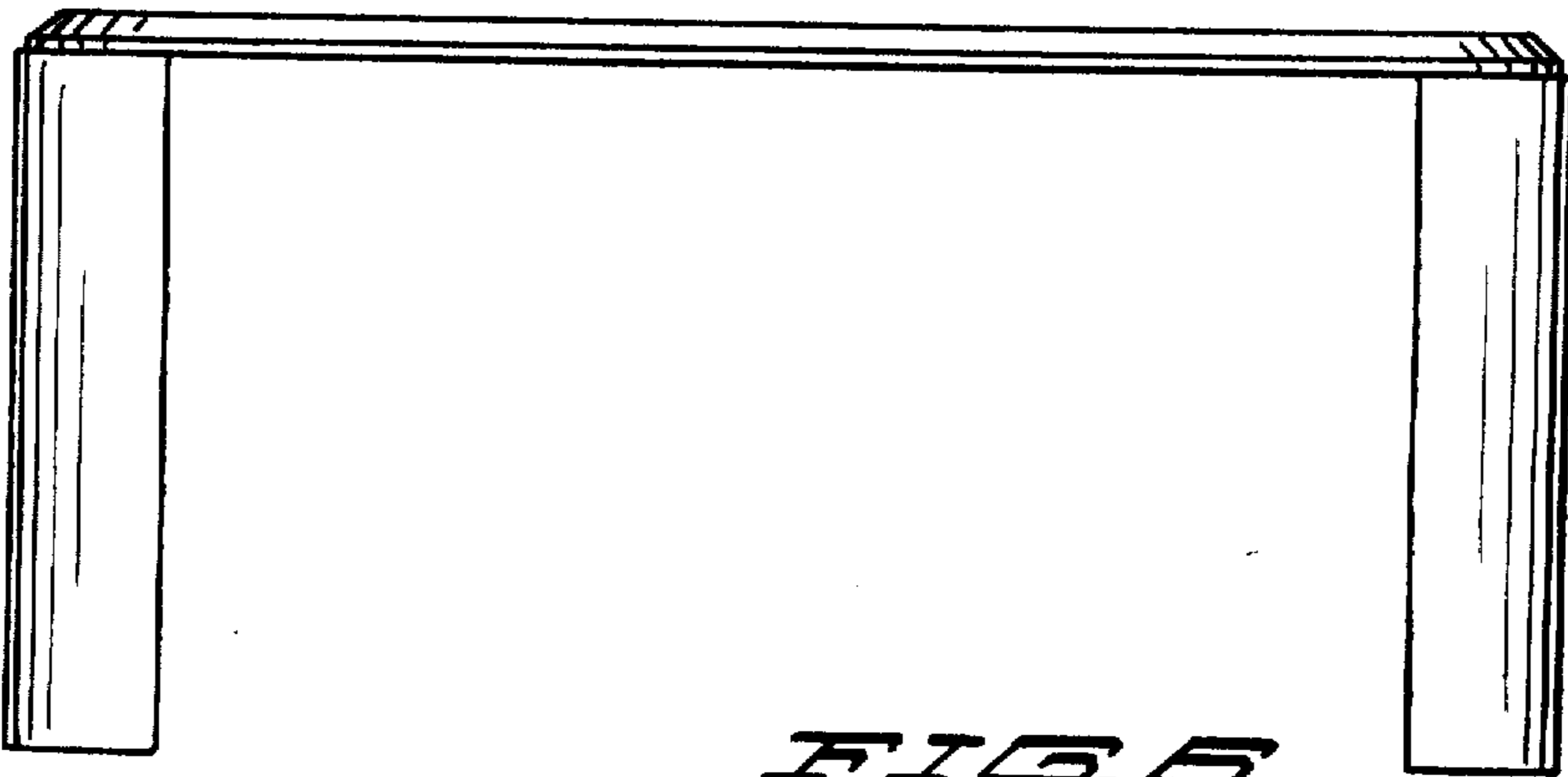


*FIG. 2*

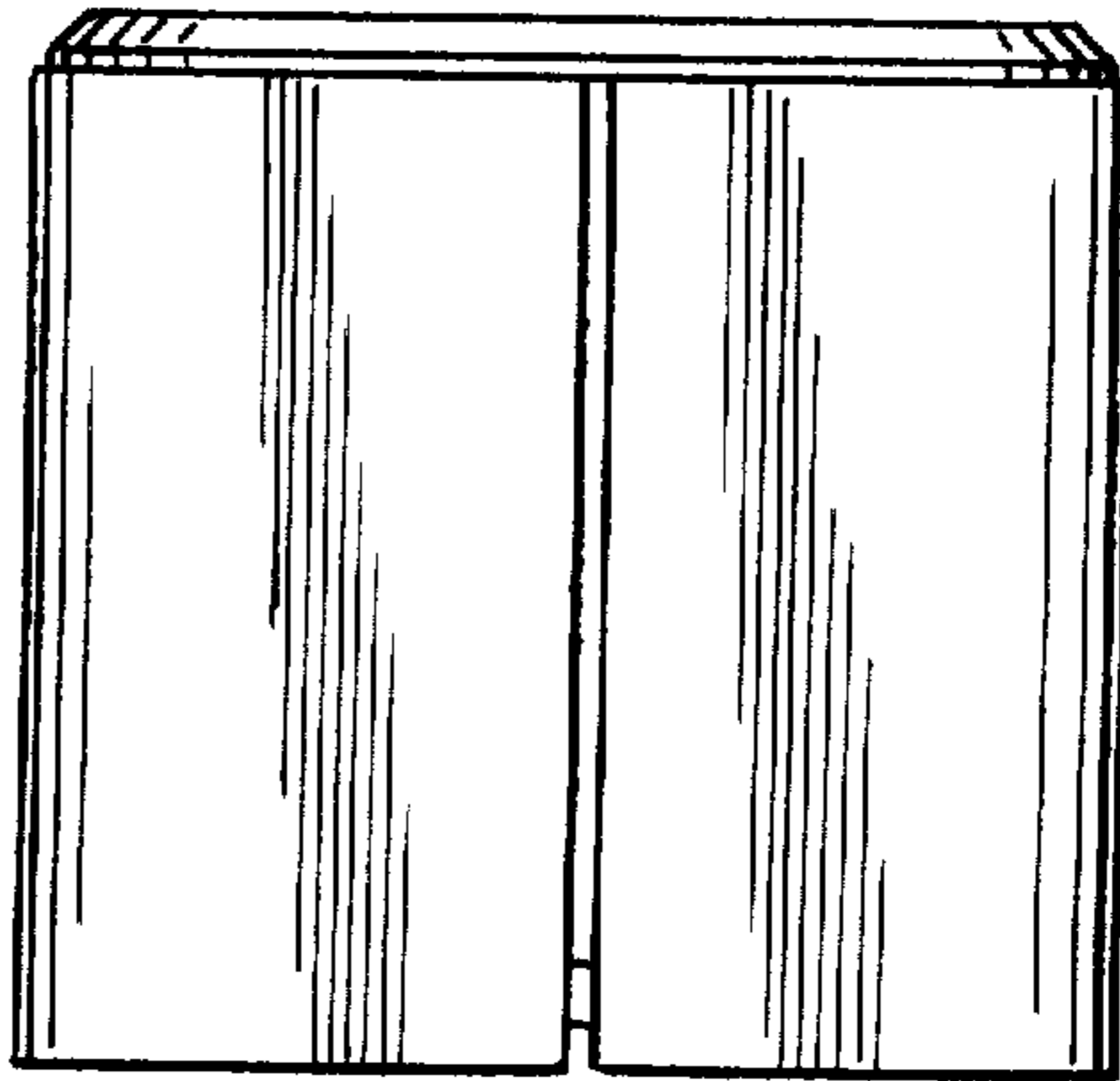
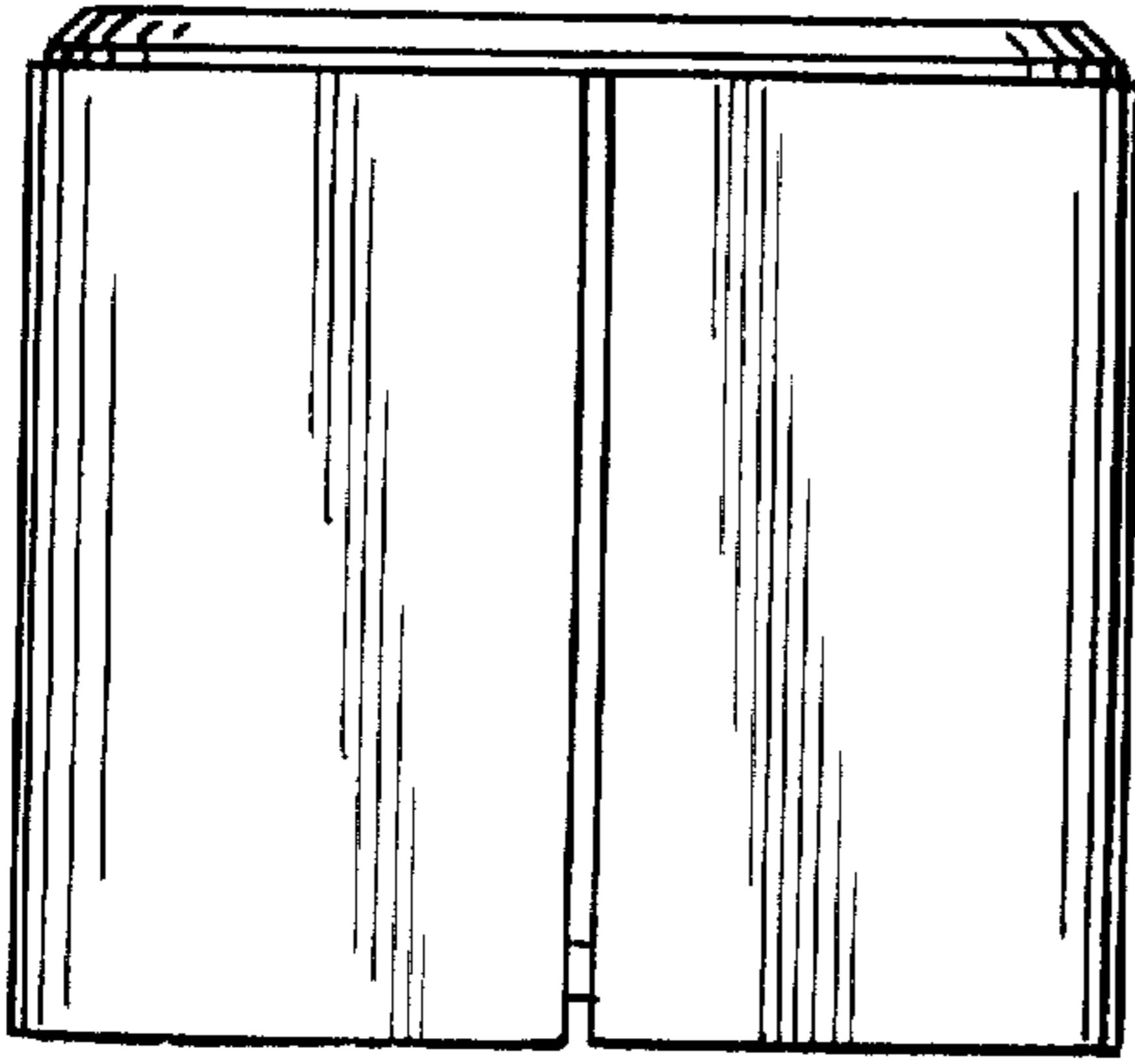
*FIG. 3*



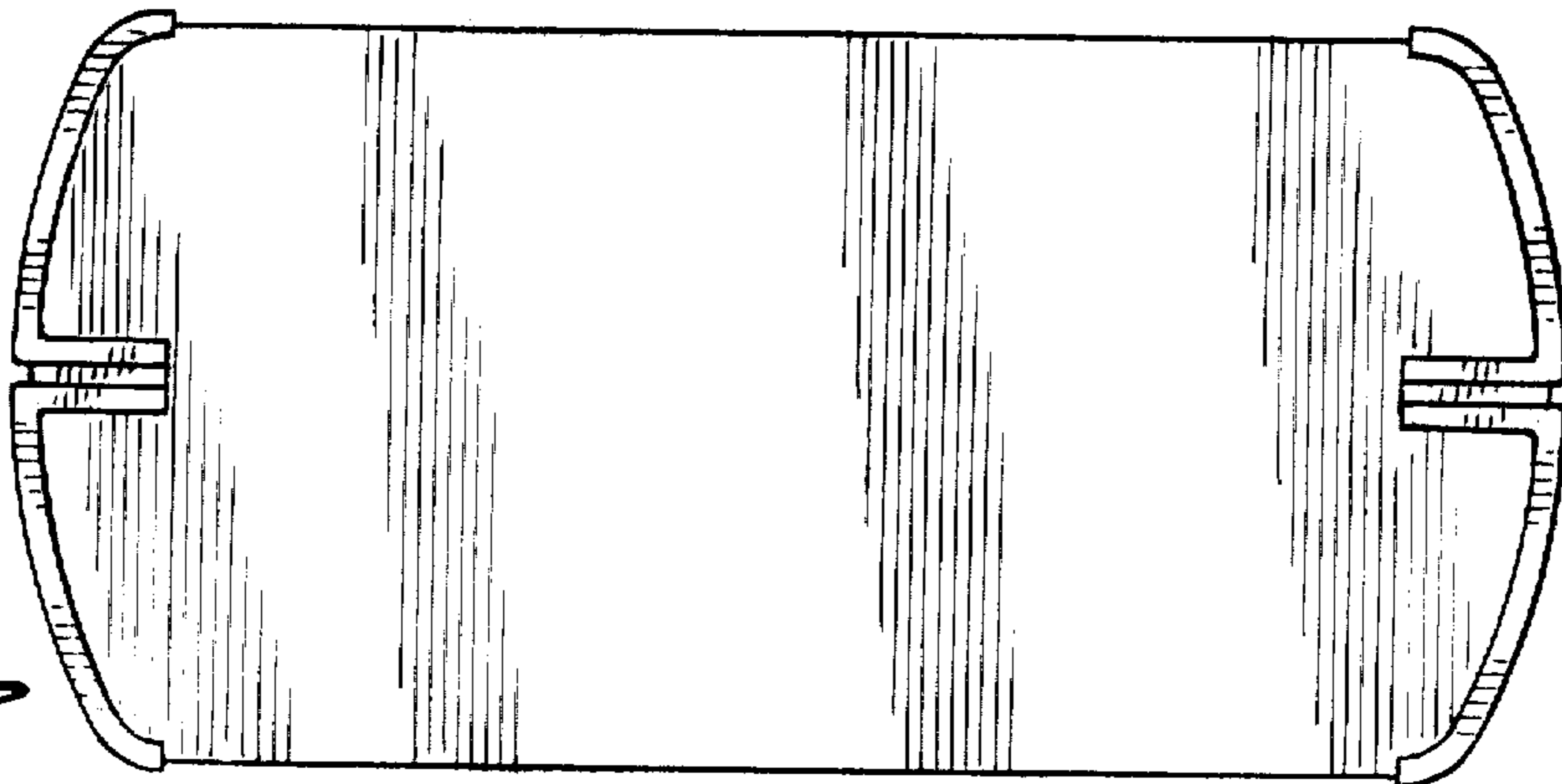
*FIG. 4*



*FIG. 6*



*FIG. 5*



*FIG. 7*