

[54] DESK OR SIMILAR ARTICLE

[75] Inventors: Lydia de Polo; Jack G. Dunbar, both of New York, N.Y.

[73] Assignee: General Mills, Inc., Minneapolis, Minn.

[**] Term: 14 Years

[21] Appl. No.: 45,156

[22] Filed: Jun. 4, 1979

[51] Int. Cl. D06-03

[52] U.S. Cl. D6/161

[58] Field of Search D6/158, 159, 160, 161, D6/165, 166, 167, 168, 169, 170, 177, 178, 179, 146, 312/107, 111, 263

References Cited

U.S. PATENT DOCUMENTS

D. 106,970	11/1937	Fuller	D6/161
D. 141,354	5/1945	Brandenburger	D6/161
D. 141,359	5/1945	Carlson et al.	D6/158
3,890,023	6/1975	Mohr et al.	312/263

OTHER PUBLICATIONS

Intrex Jul. 1977; p. 51, Deak #10344; second row from bottom, left desk.

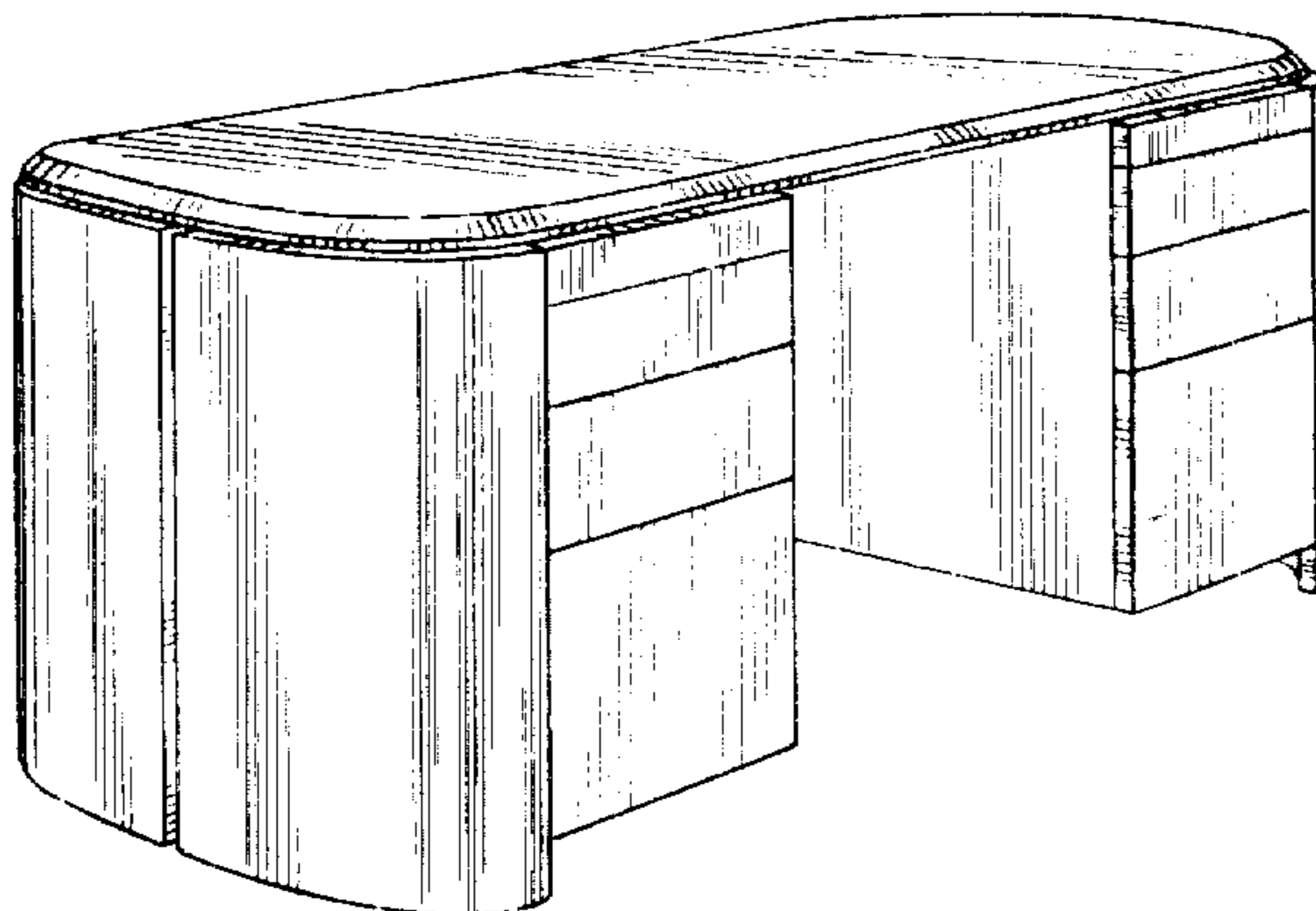
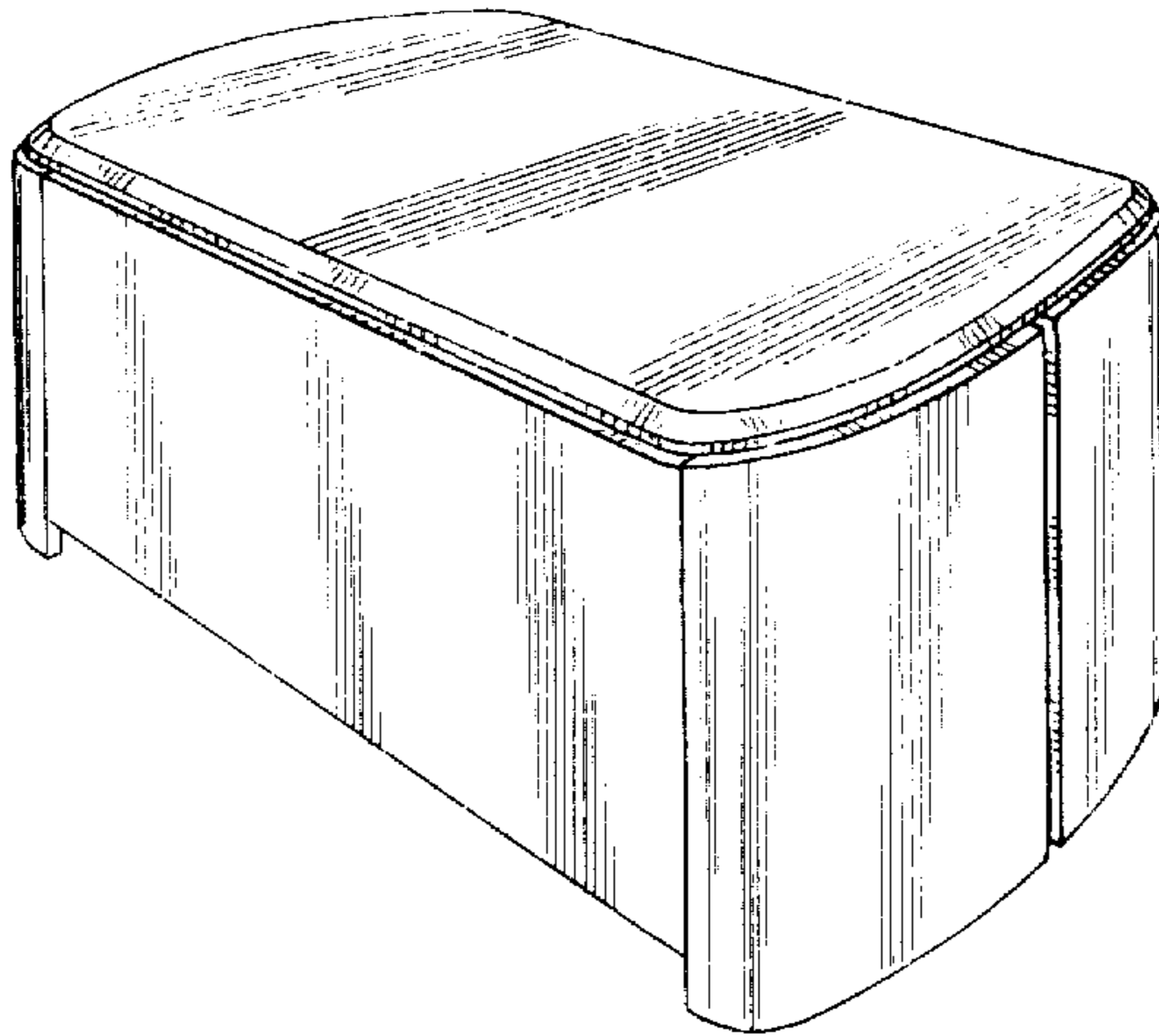
Primary Examiner—Joel Stearman
Assistant Examiner—Carmen H. Vales
Attorney, Agent, or Firm—L. MeRoy Lillehaugen; Gene O. Enockson

CLAIM

The ornamental design for a desk or similar article, substantially as shown and described.

DESCRIPTION

FIG. 1 is a front perspective view of a desk or similar article showing our new design;
FIG. 2 is a rear perspective view thereof;
FIG. 3 is a top plan view thereof;
FIG. 4 is a front elevational view thereof;
FIG. 5 is a side elevational view thereof, as viewed from the left of FIG. 4;
FIG. 6 is a side elevational view thereof, as viewed from the right of FIG. 4; and
FIG. 7 is a rear elevational view thereof.



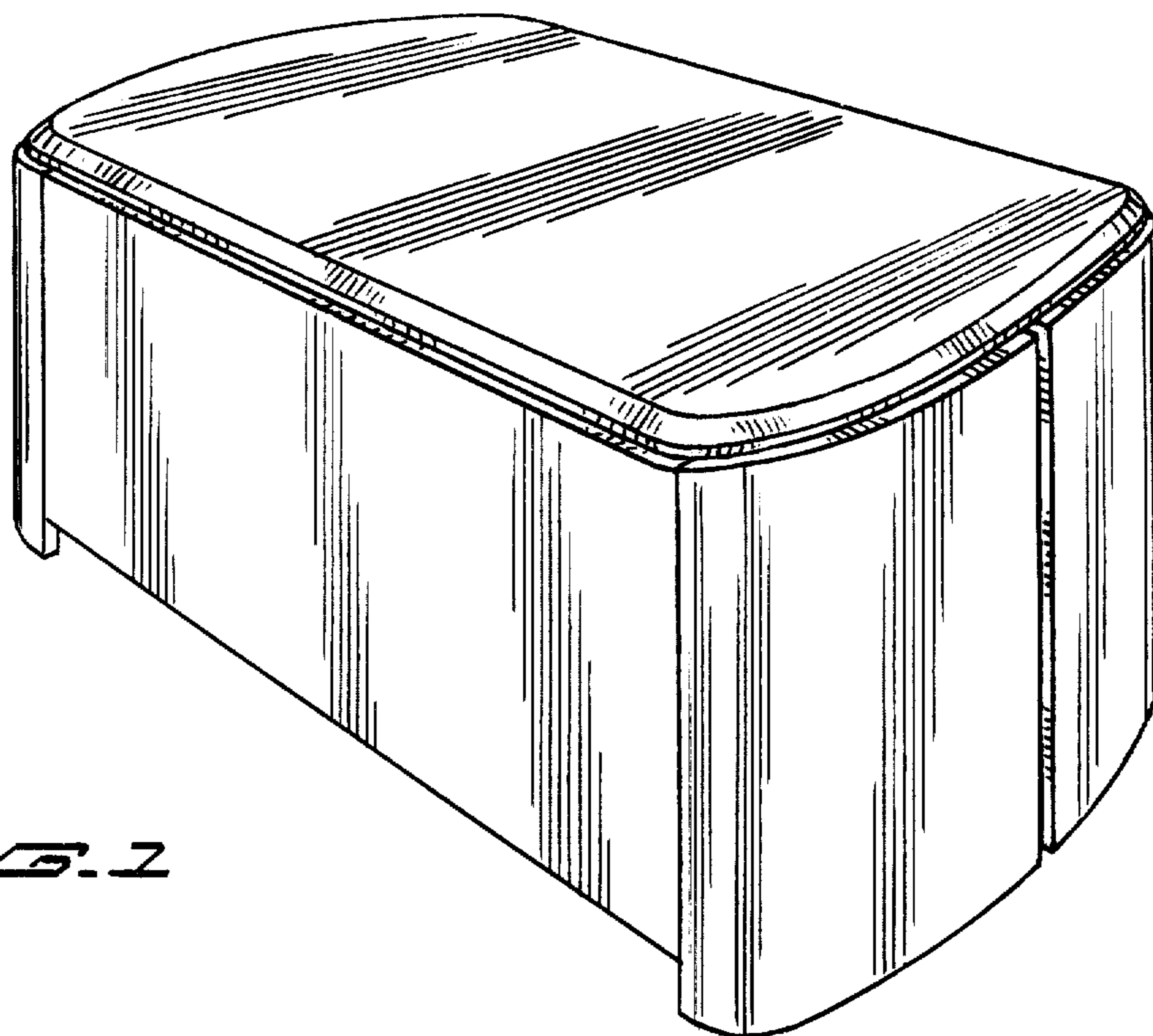


FIG. 1

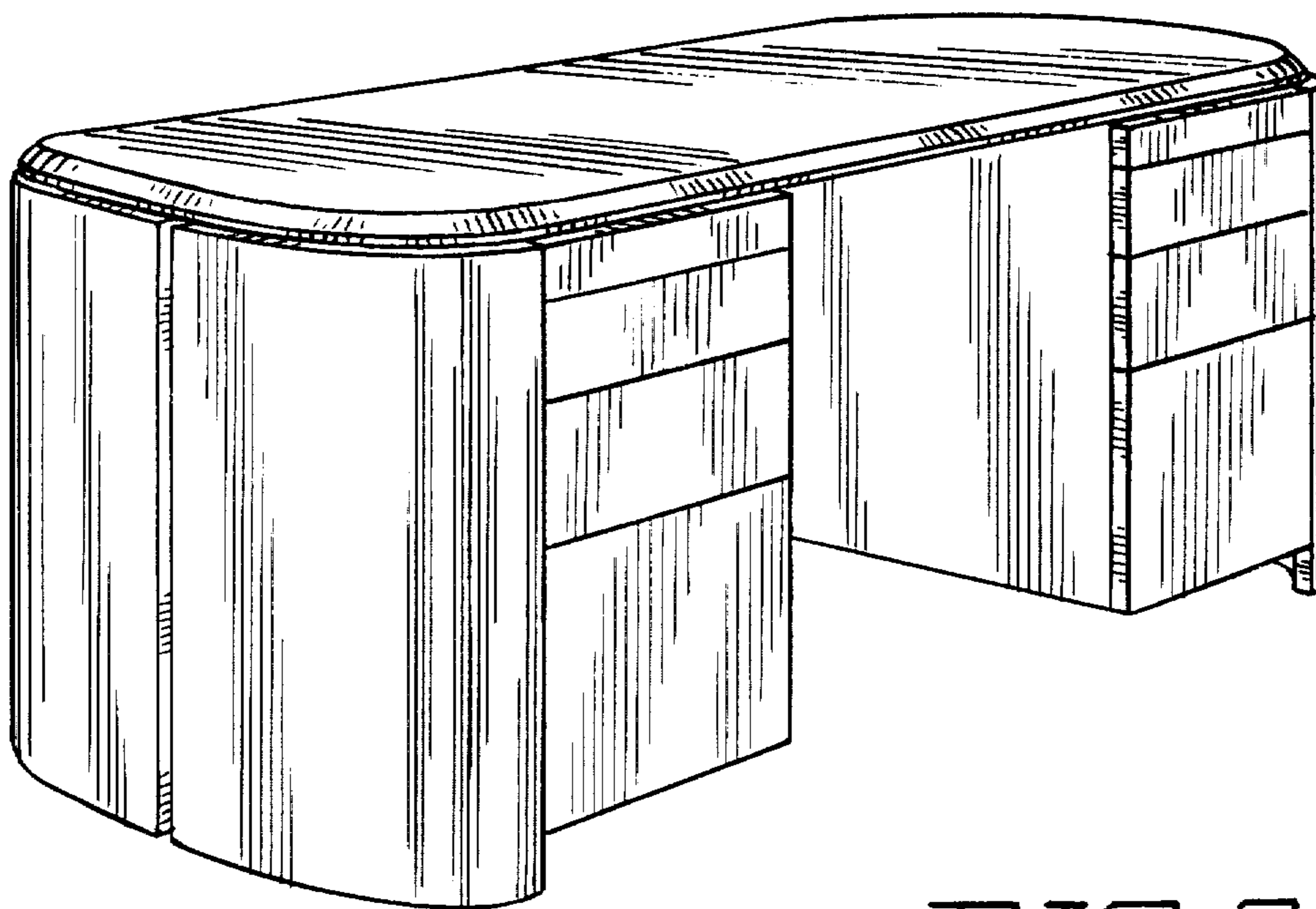


FIG. 2

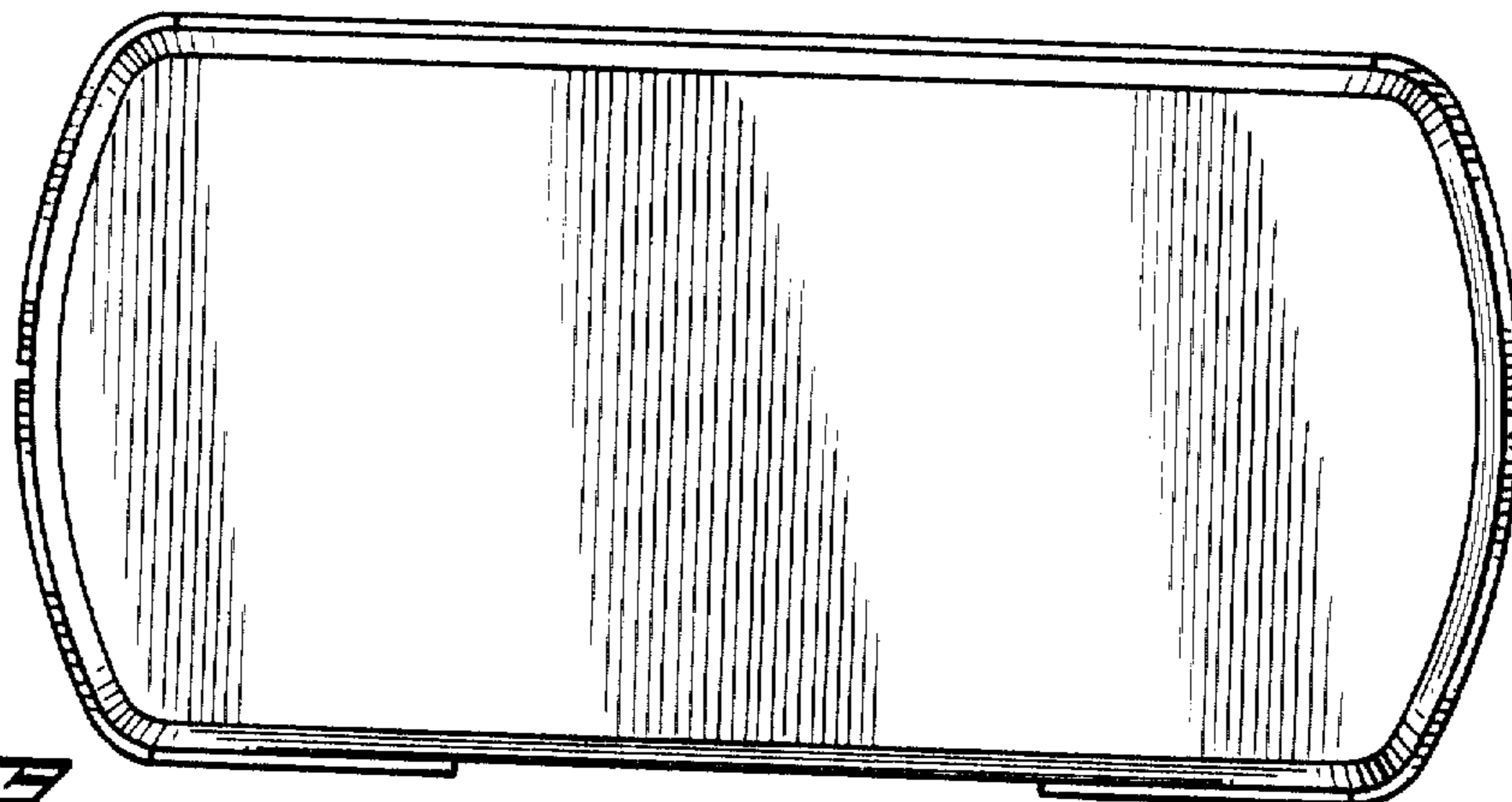


FIG. 3

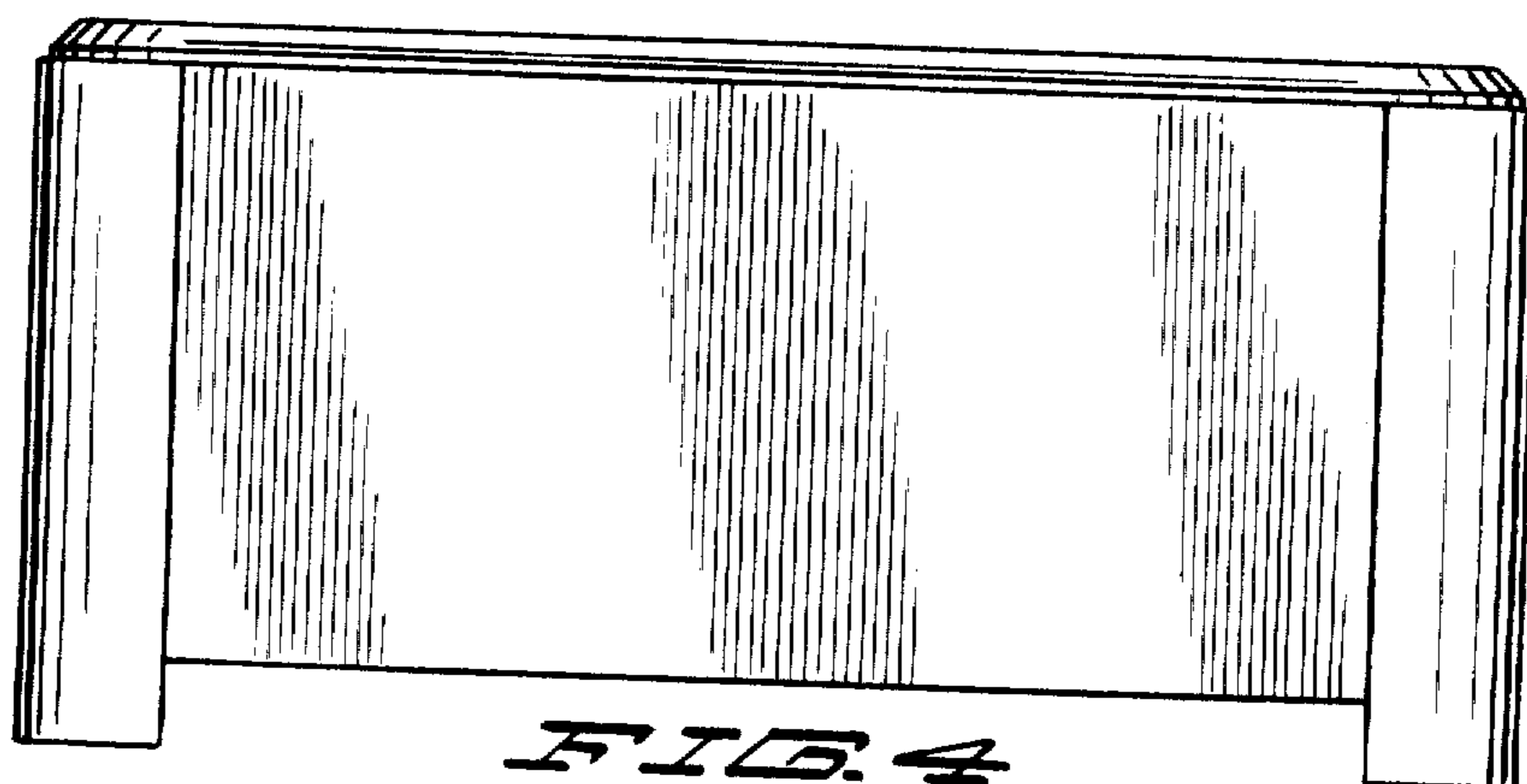


FIG. 4

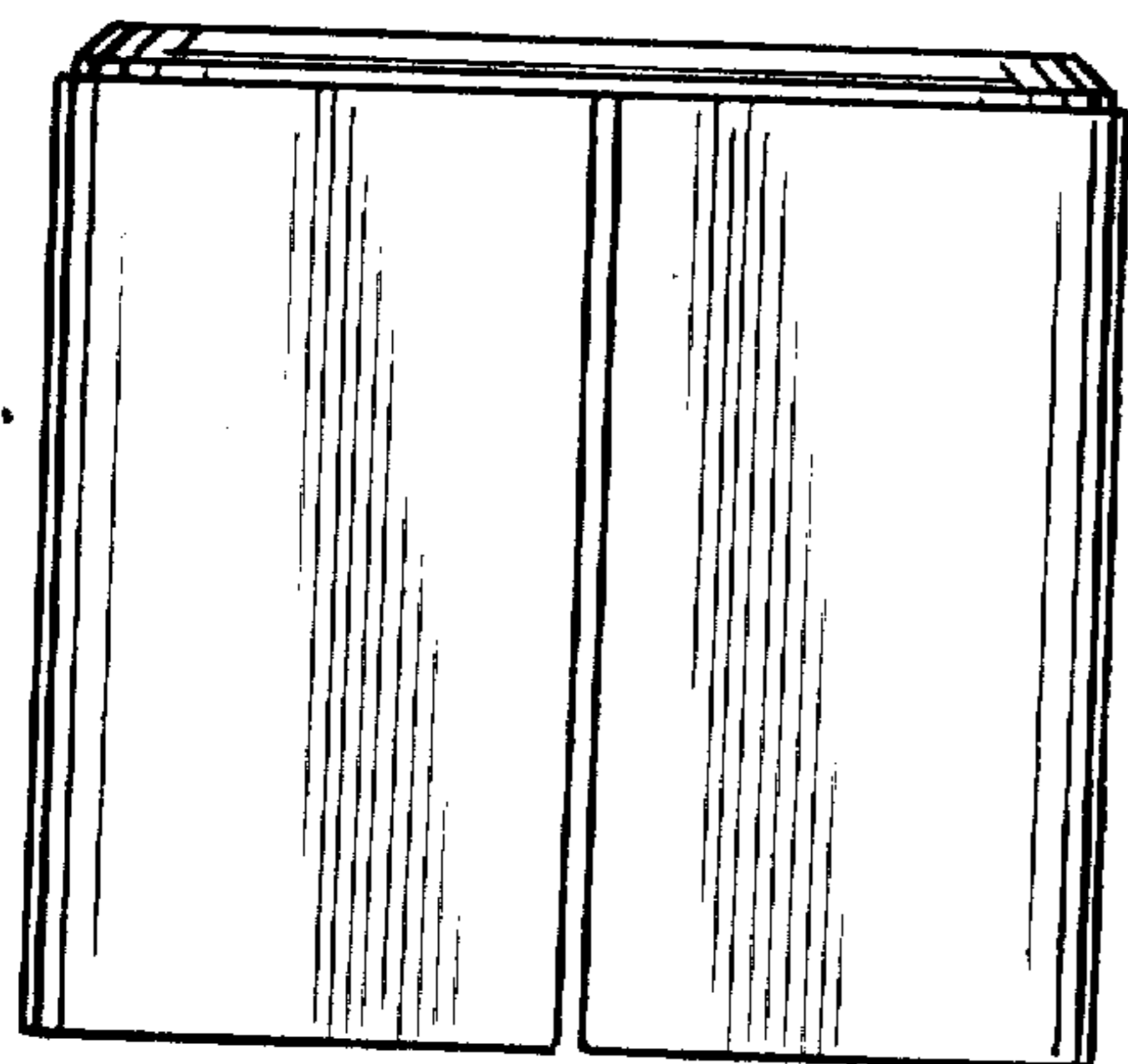


FIG. 5

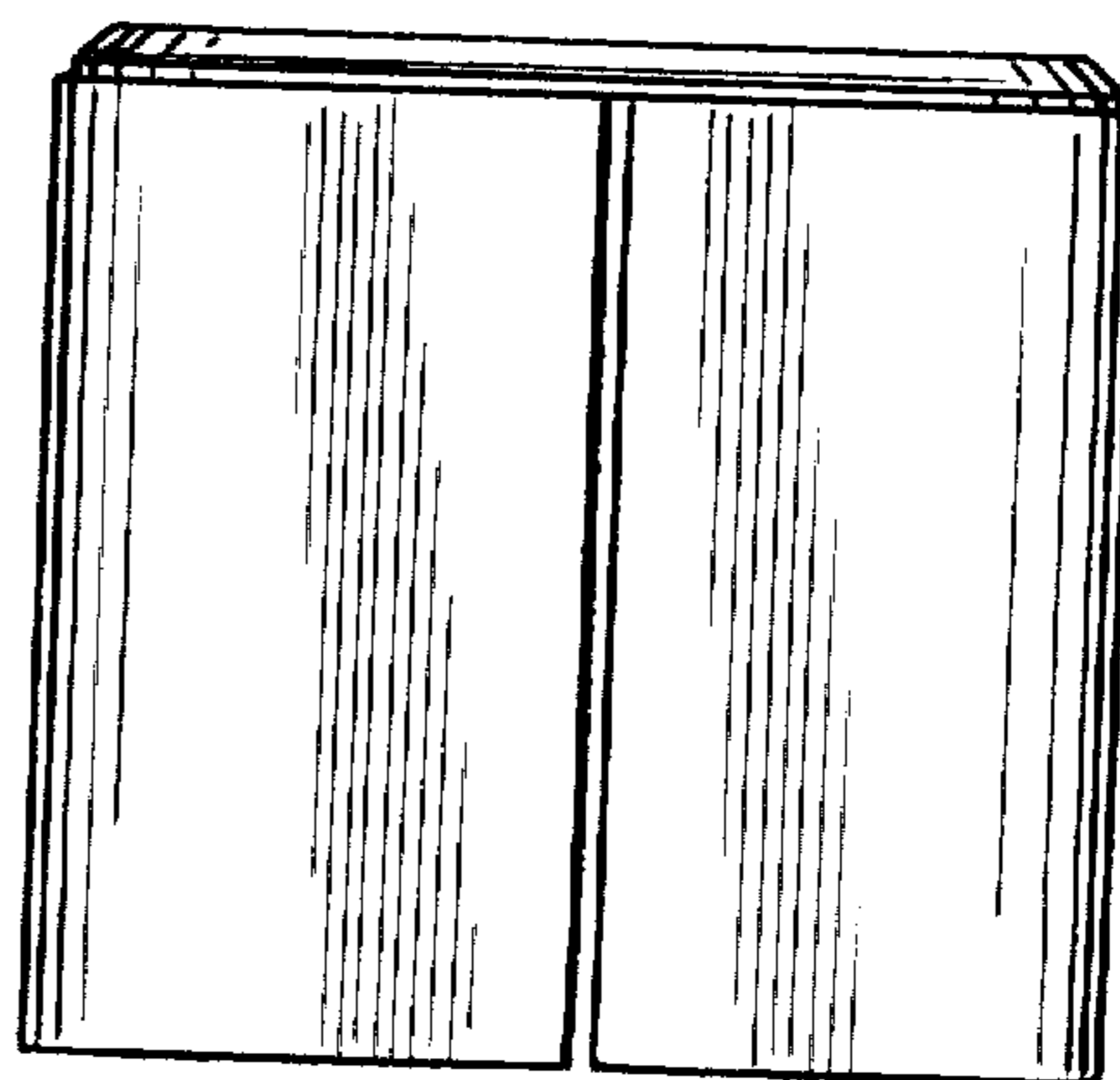


FIG. 6

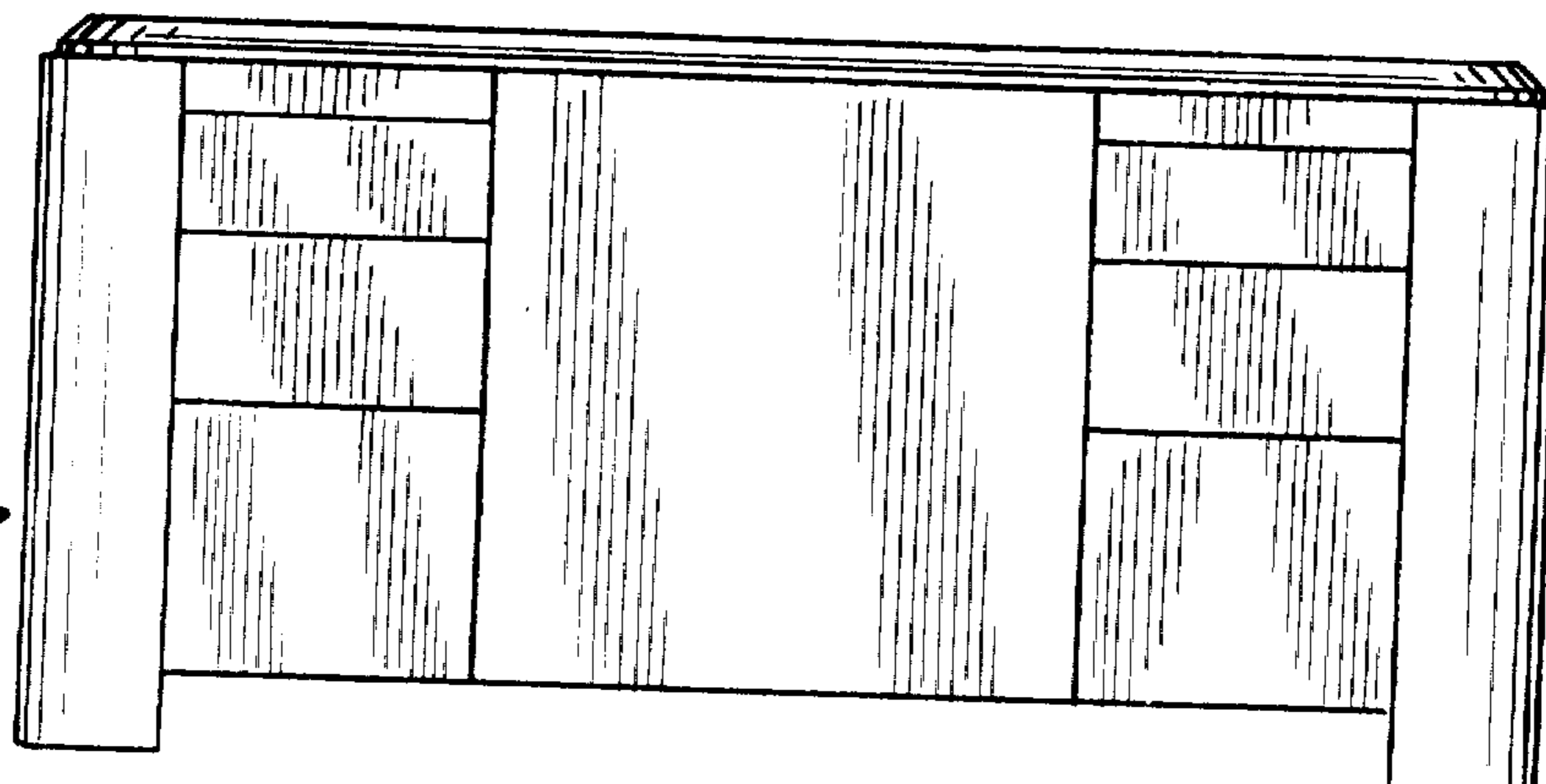


FIG. 7