

[54] TRAY

[75] Inventors: Sandra R. Verdesca; Joseph T. Verdesca, both of Dallas, Tex.

[73] Assignee: Computer Roomers, Dallas, Tex.

[**] Term: 14 Years

[21] Appl. No.: 926,714

[22] Filed: Jul. 21, 1978

Related U.S. Application Data

[63] Continuation-in-part of Ser. No. 732,453, Oct. 14, 1976, Pat. No. Des. 250,380.

[51] Int. Cl. D06-06

[52] U.S. Cl. D6/132; D3/40; D6/199

[58] Field of Search D6/132, 133, 134, 135, D6/136, 130, 199; D7/37; D8/380, 381; 108/41, 43, 44, 46; 248/235, 247, 225.2; 211/135; D3/40

[56]

References Cited

U.S. PATENT DOCUMENTS

D. 26,927	4/1897	Held	D8/381
D. 204,998	6/1966	Klein	D3/40
D. 257,296	10/1980	White	D3/40
1,891,180	12/1932	Ravlin	108/46
2,645,537	7/1953	Brath et al.	108/46
2,893,802	7/1959	Bittner	108/46
3,502,042	3/1970	Bowman et al.	108/46

Primary Examiner—Joel Stearman
Assistant Examiner—Carmen H. Vales
Attorney, Agent, or Firm—Richards, Harris & Medlock

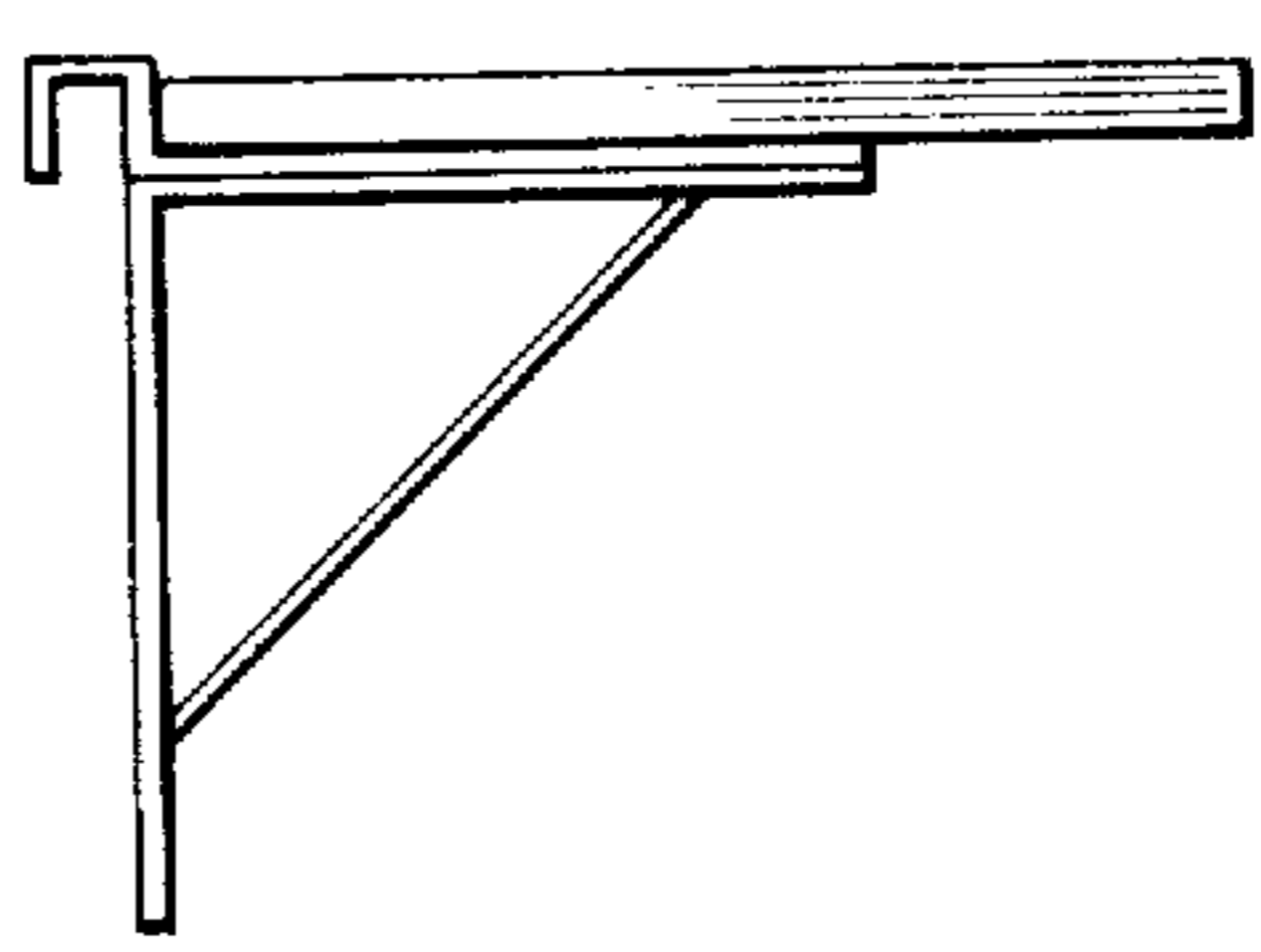
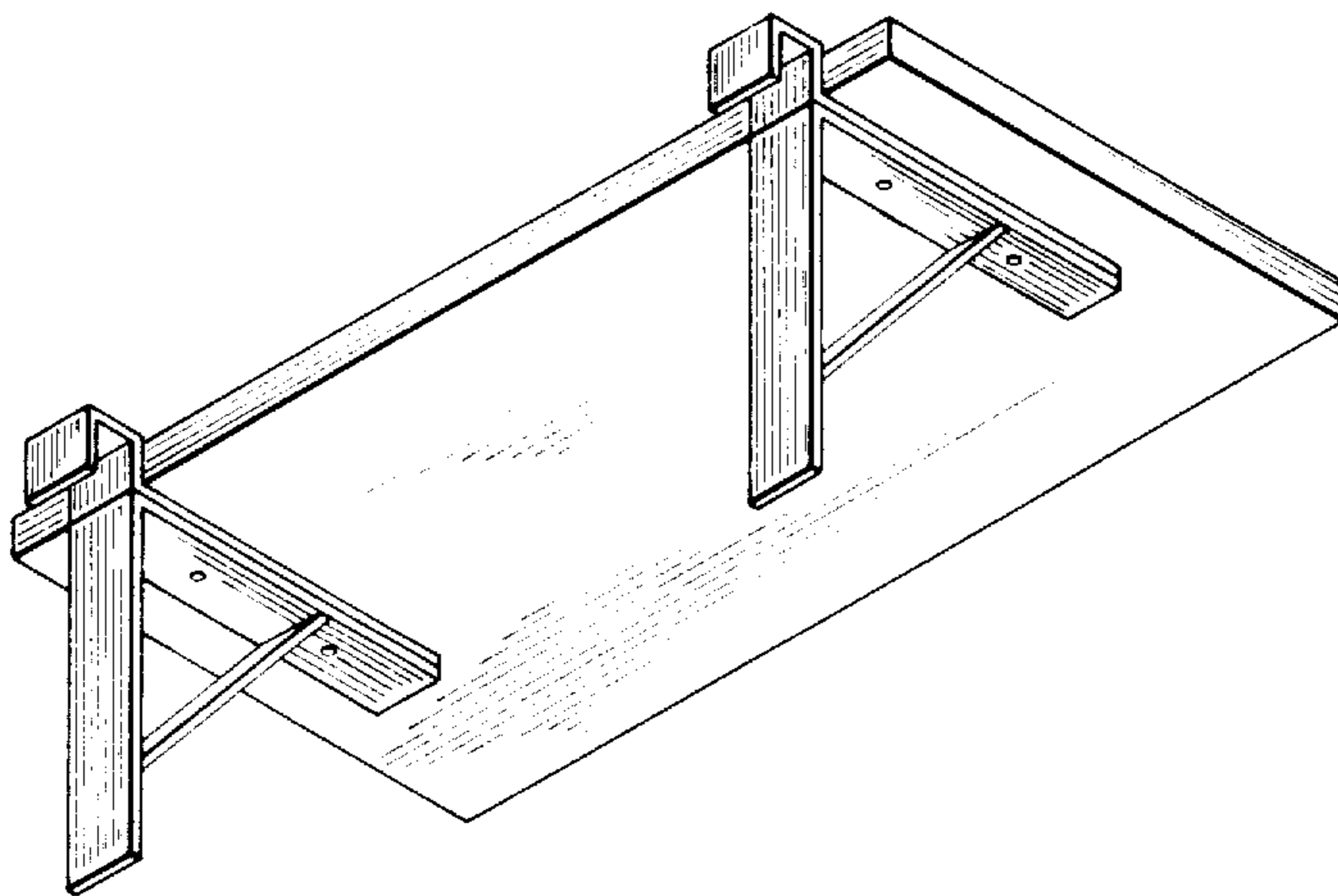
[57]

CLAIM

The ornamental design for a tray, as shown.

DESCRIPTION

FIG. 1 is a bottom perspective view of a tray showing our new design;
FIG. 2 is an end elevational view, the opposite end view being a mirror image thereof;
FIG. 3 is a front elevational view;
FIG. 4 is a bottom view;
FIG. 5 is a rear elevational view;
FIG. 6 is a top view;



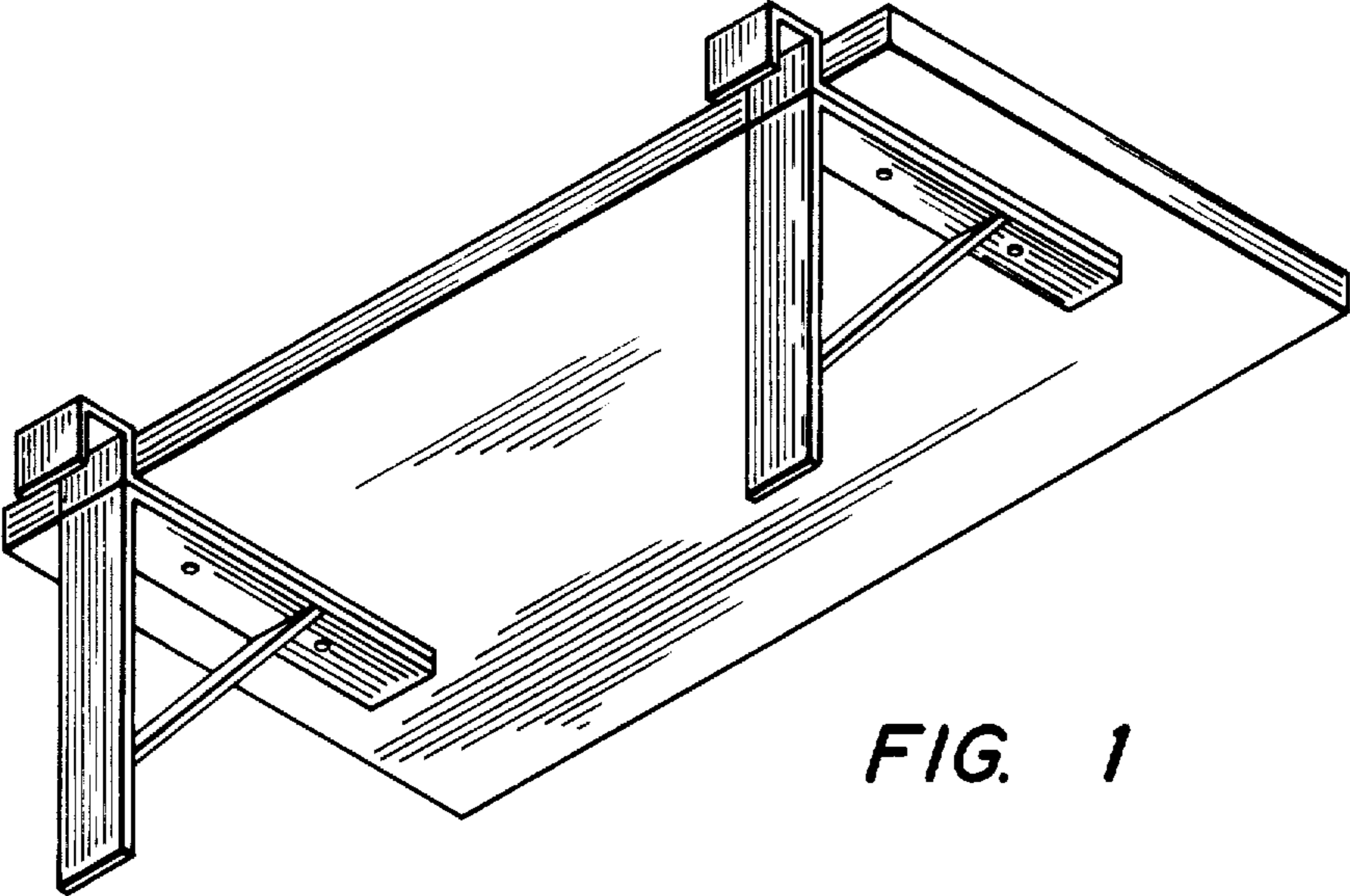


FIG. 1

FIG. 2

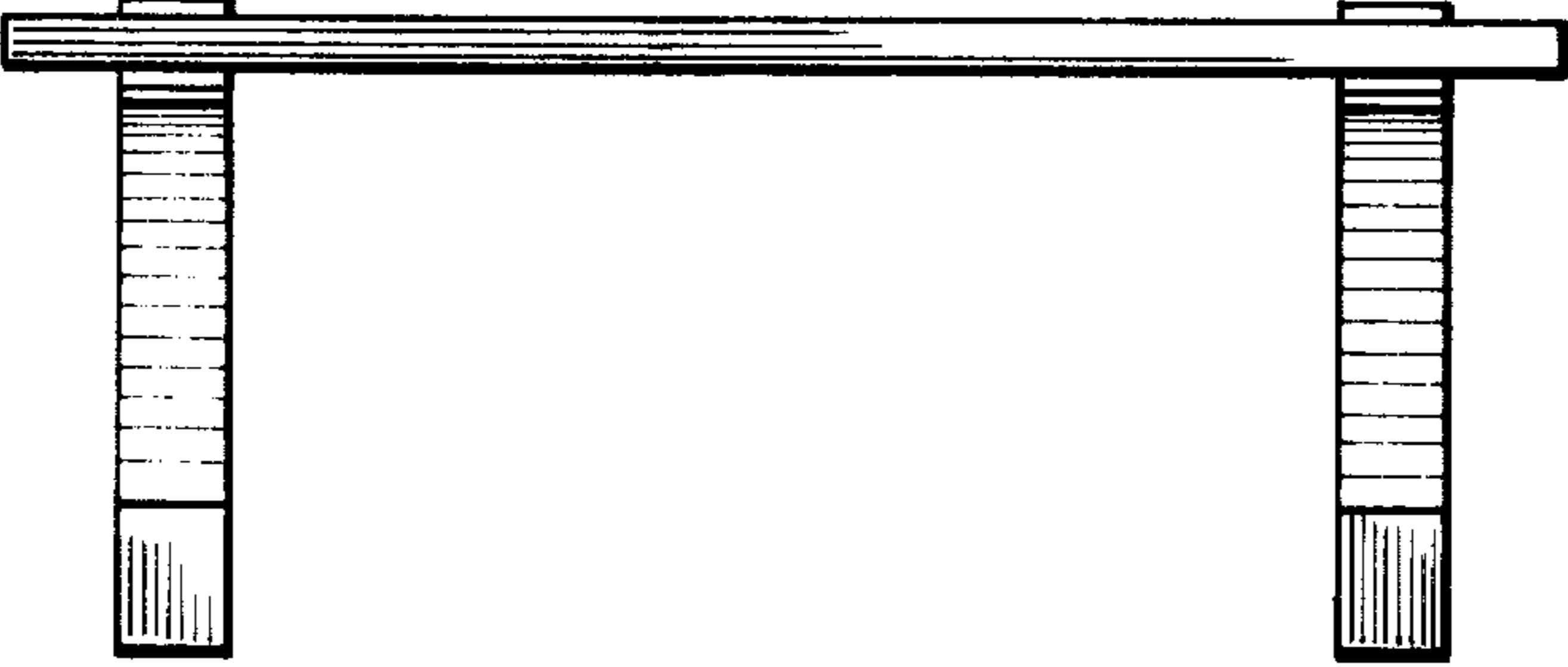
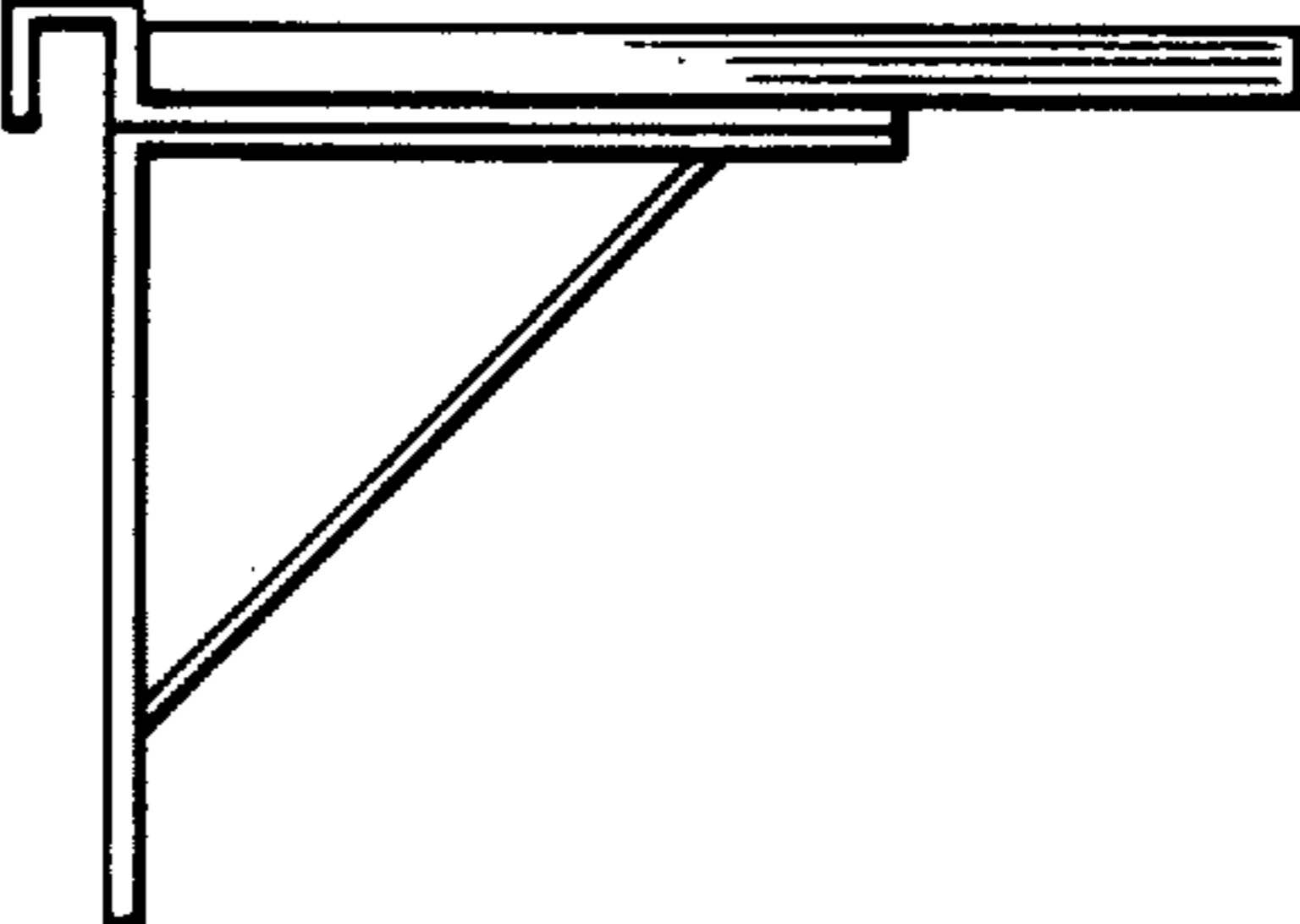


FIG. 3

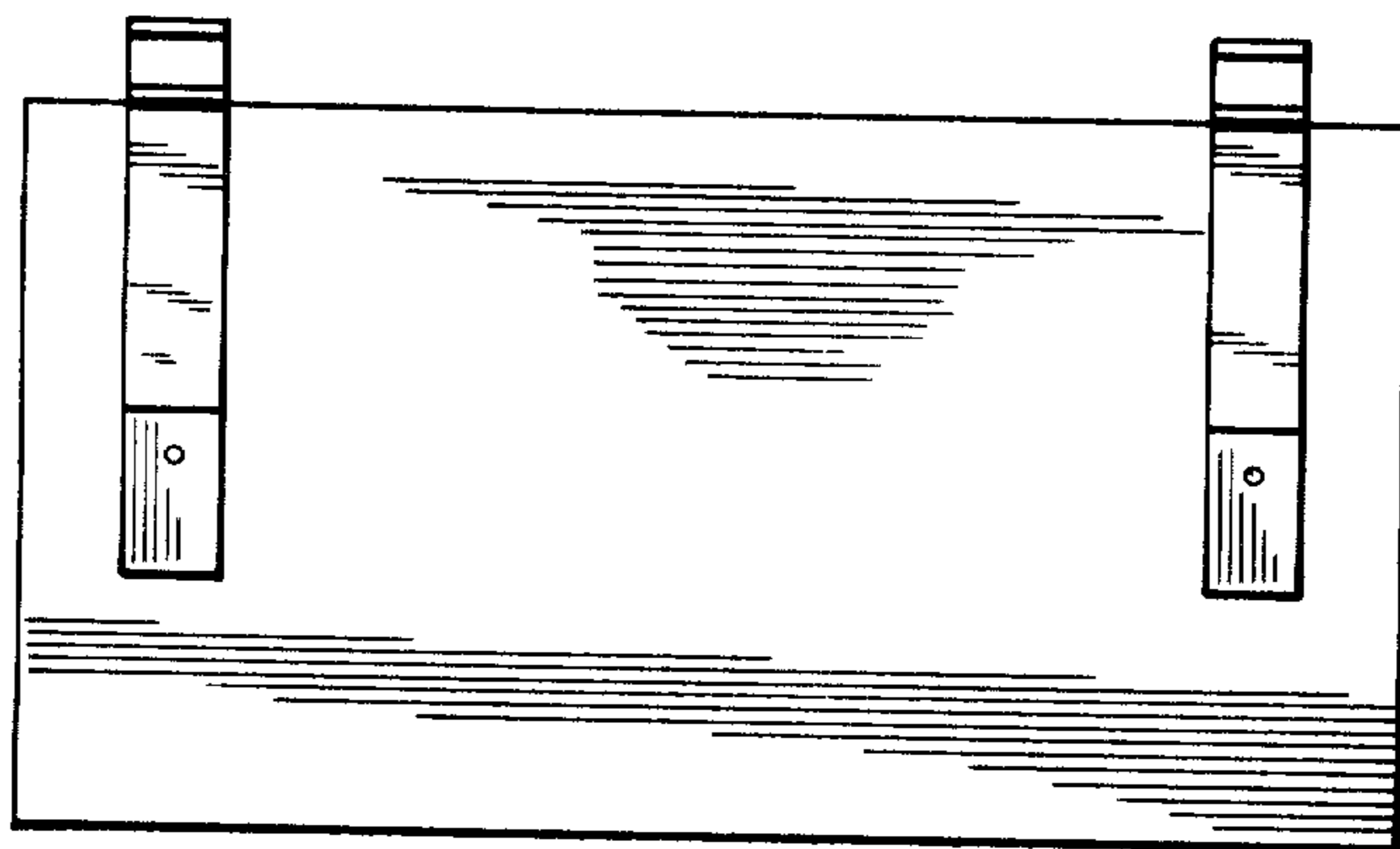


FIG. 4

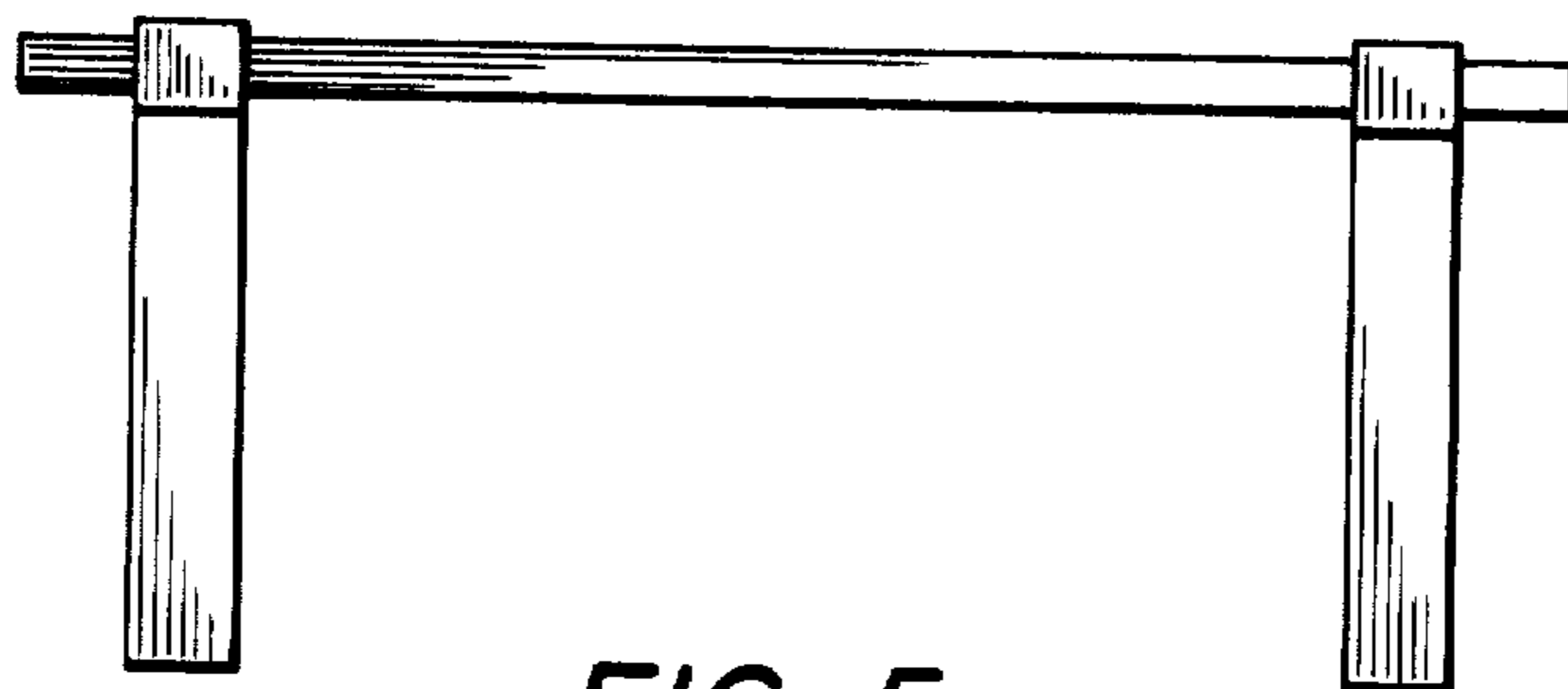


FIG. 5

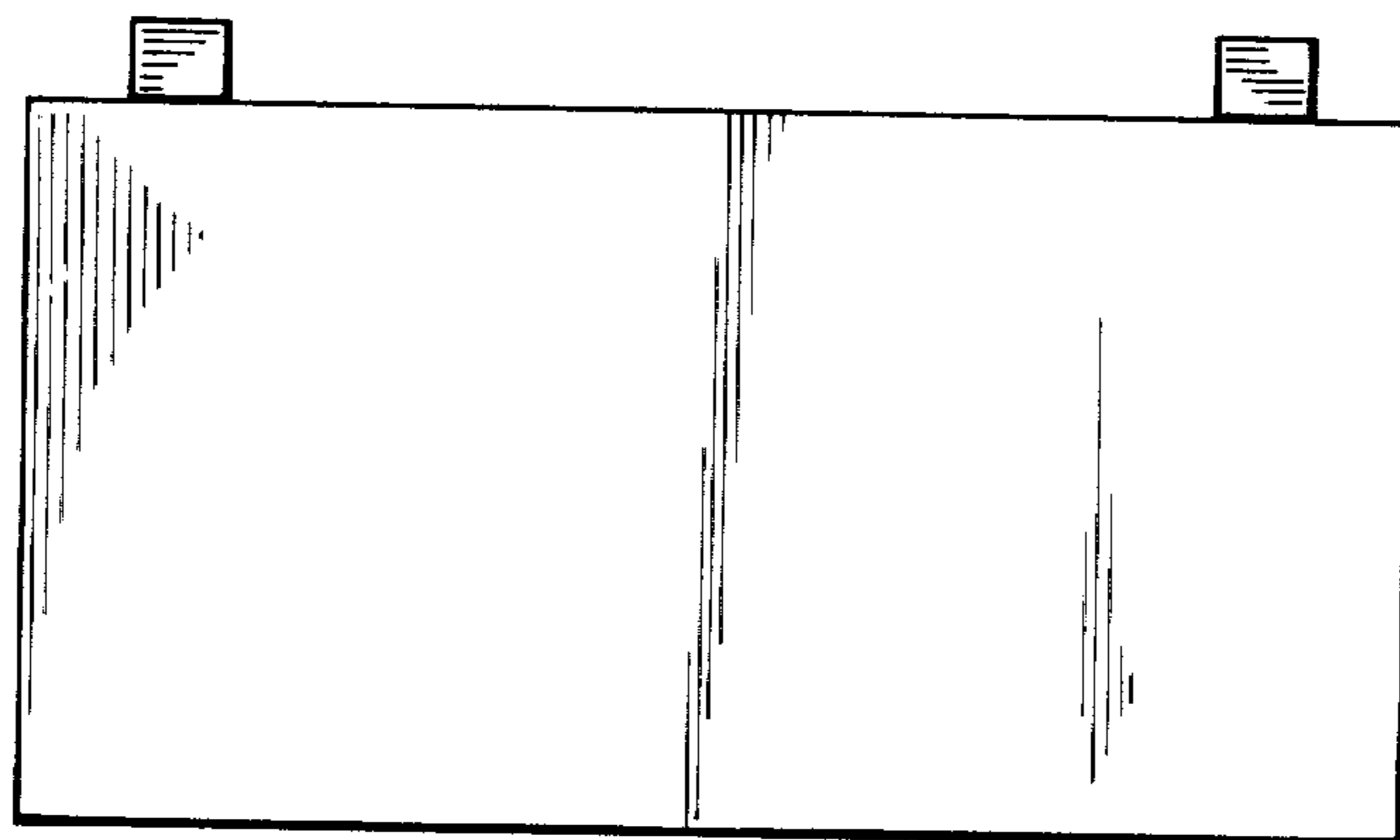


FIG. 6