

[54] SPORTS EQUIPMENT STORAGE RACK

[76] Inventor: E. Donald Trouba, 413 Winterburn, Elkhorn, Nebr. 68022

[**] Term: 14 Years

[21] Appl. No.: 170,205

[22] Filed: Jul. 18, 1980

[51] Int. Cl. D6-04

[52] U.S. Cl. D6/125; D6/134; D6/157; D6/188

[58] Field of Search D6/114, 125, 130, 132, D6/133, 134, 135, 136, 157, 186, 188; 211/13, 14, 60 R, 60 A, 60 T, 69, 87, 88, 90; 108/152

[56] References Cited

U.S. PATENT DOCUMENTS

D. 181,123 10/1957 Cassity D6/125

3,650,407	3/1972	Benham	211/14
3,737,131	6/1973	Larson	211/60 T
4,002,241	1/1977	Parrilla	211/14
4,125,192	11/1978	Dayen	211/14

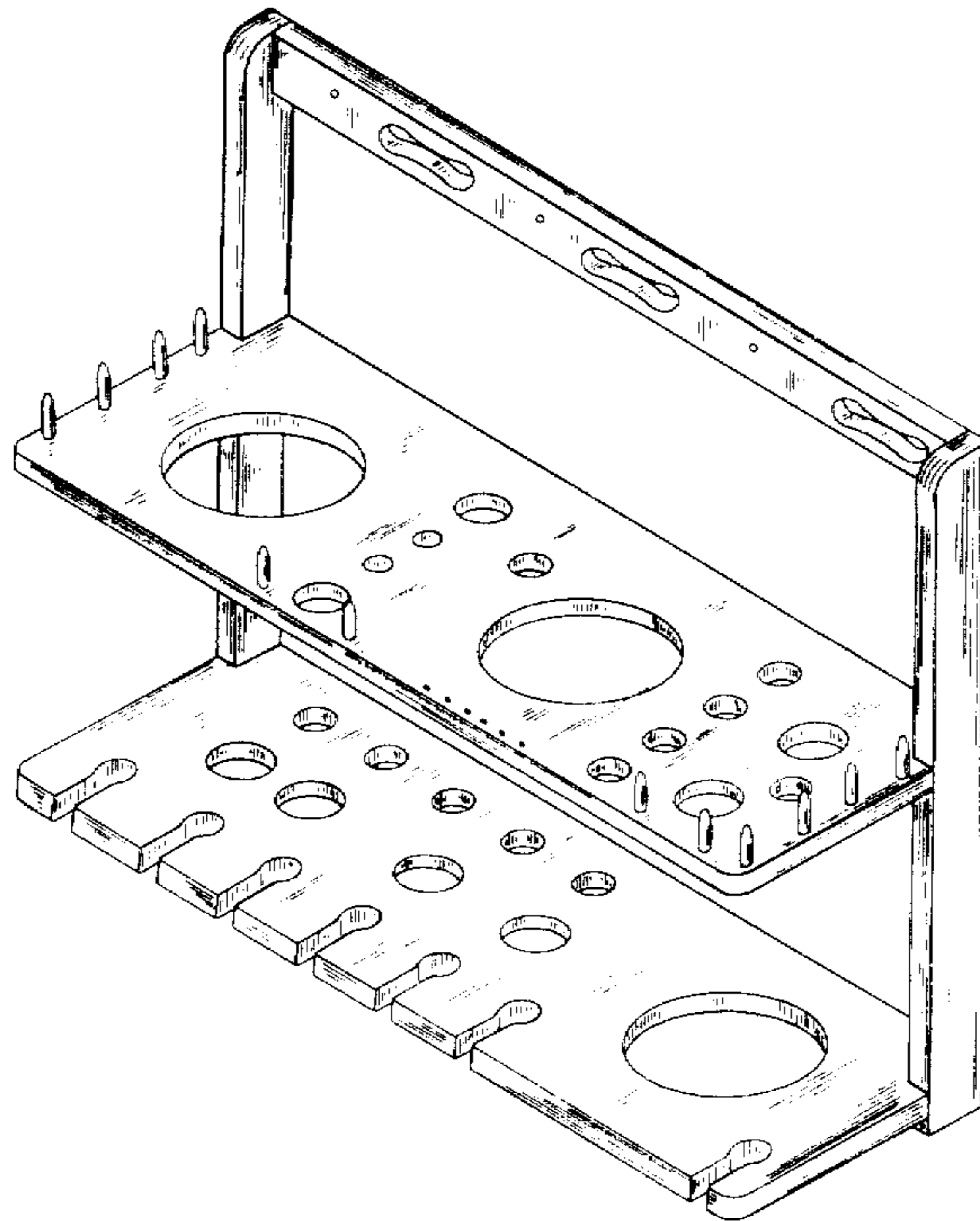
Primary Examiner—B. J. Bullock
Attorney, Agent, or Firm—Henderson & Sturm

[57] CLAIM

The ornamental design for a sports equipment storage rack, substantially as shown and described.

DESCRIPTION

FIG. 1 is a front perspective view of a sports equipment storage rack, showing my new design;
FIG. 2 is a front elevational view thereof;
FIG. 3 is a side elevational view taken from the right of FIG. 1, the side opposite being a mirror image thereof;
FIG. 4 is a top plan view thereof;
FIG. 5 is a bottom plan view thereof.



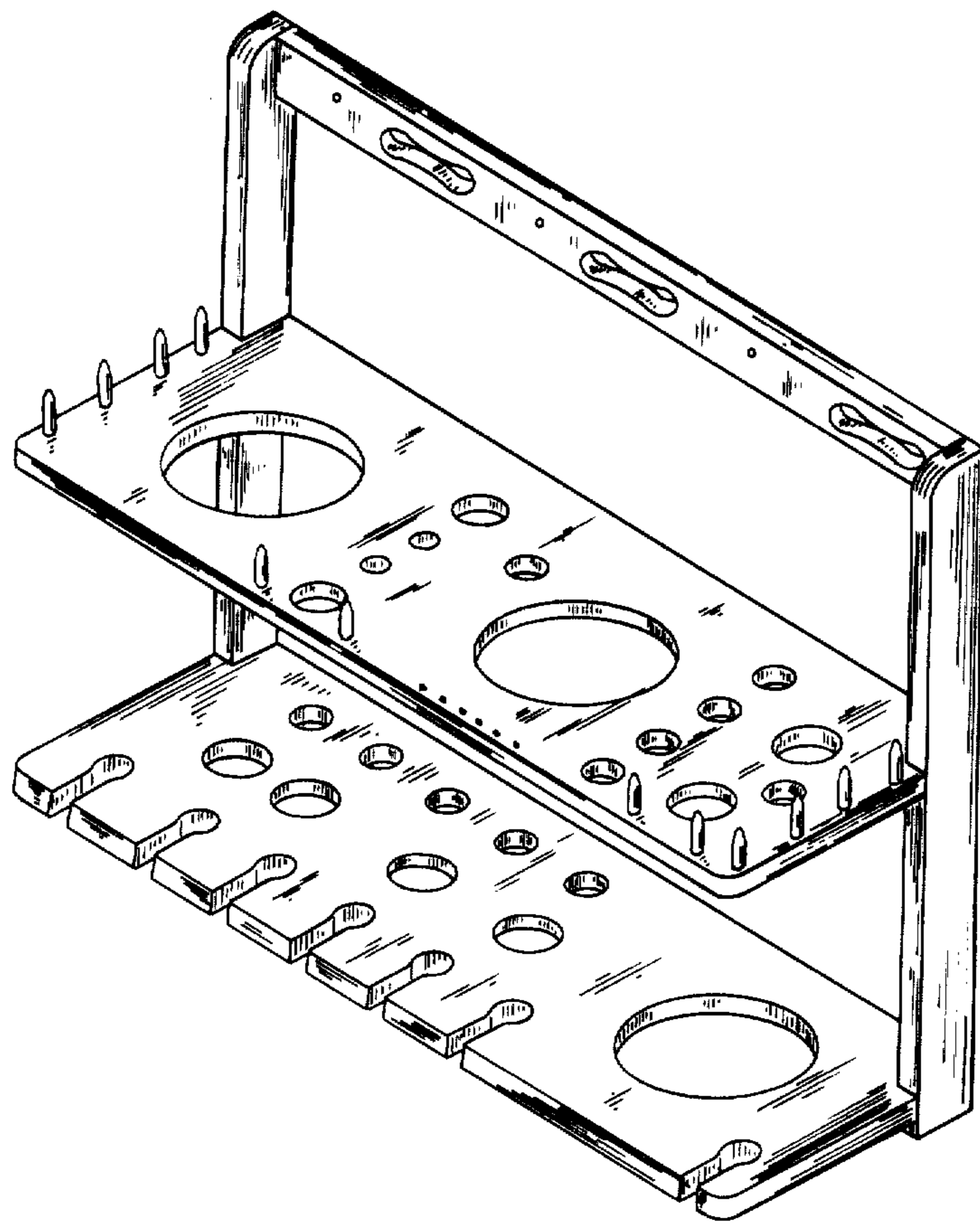


FIG. 1

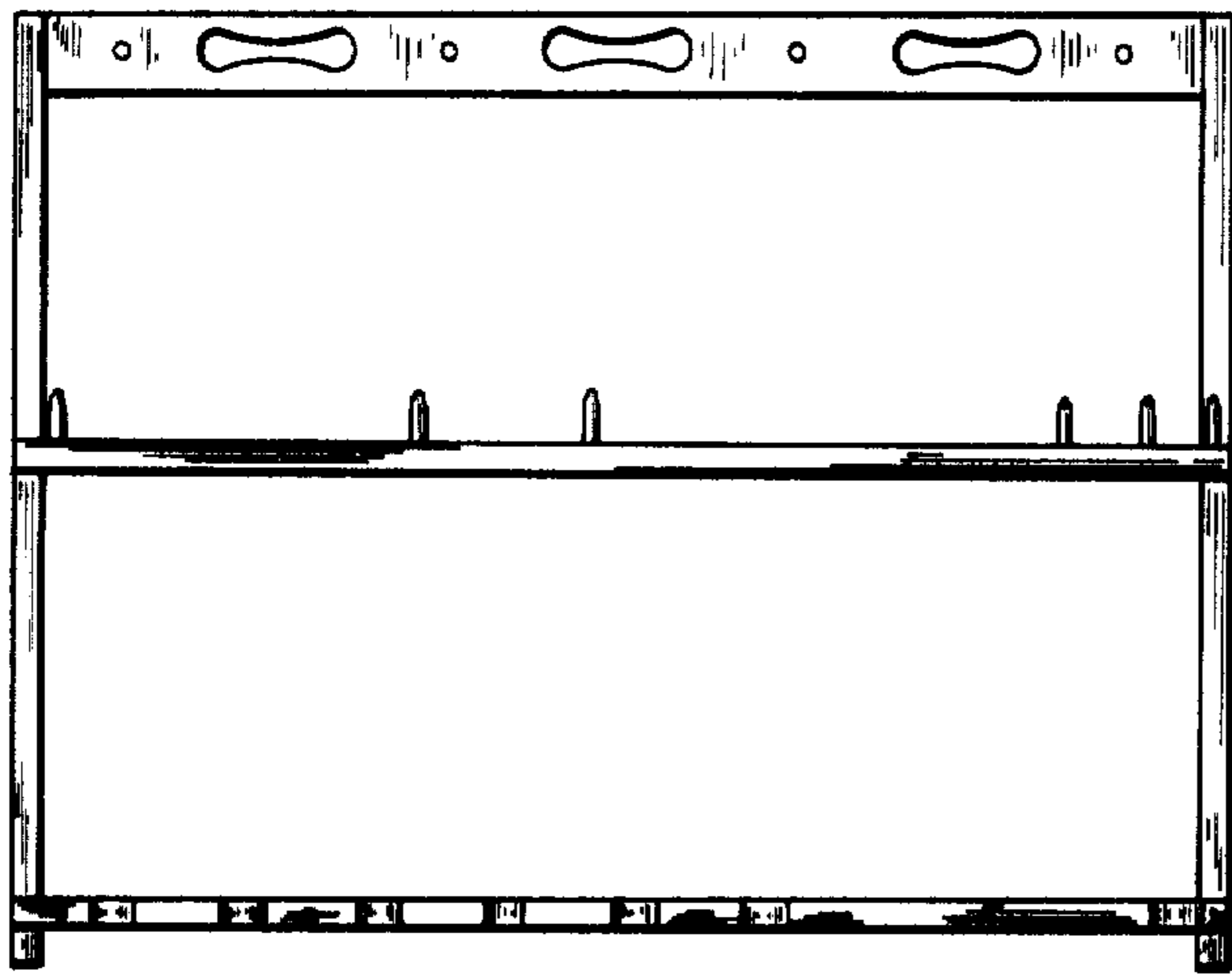


FIG. 2

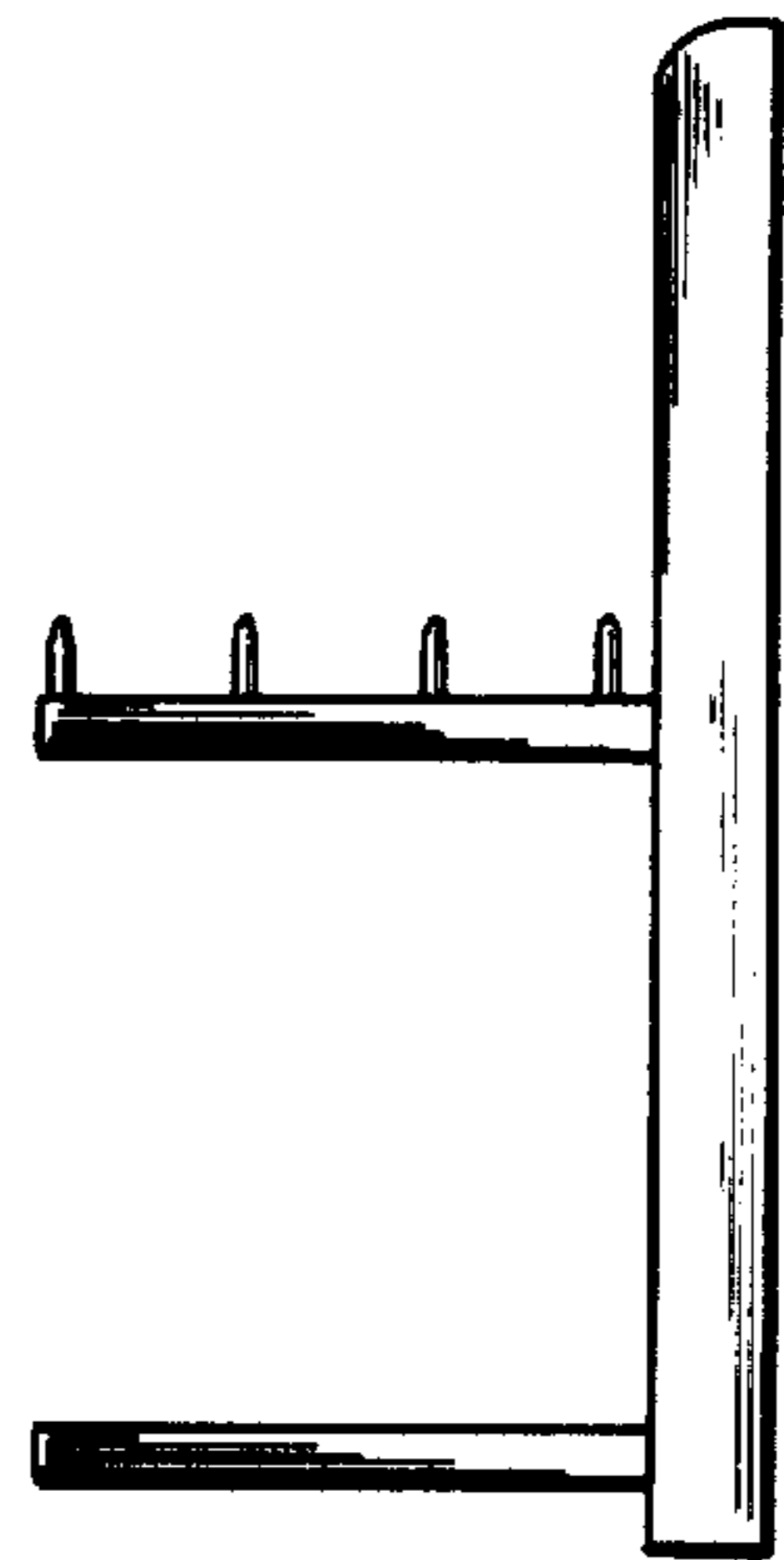


FIG. 3

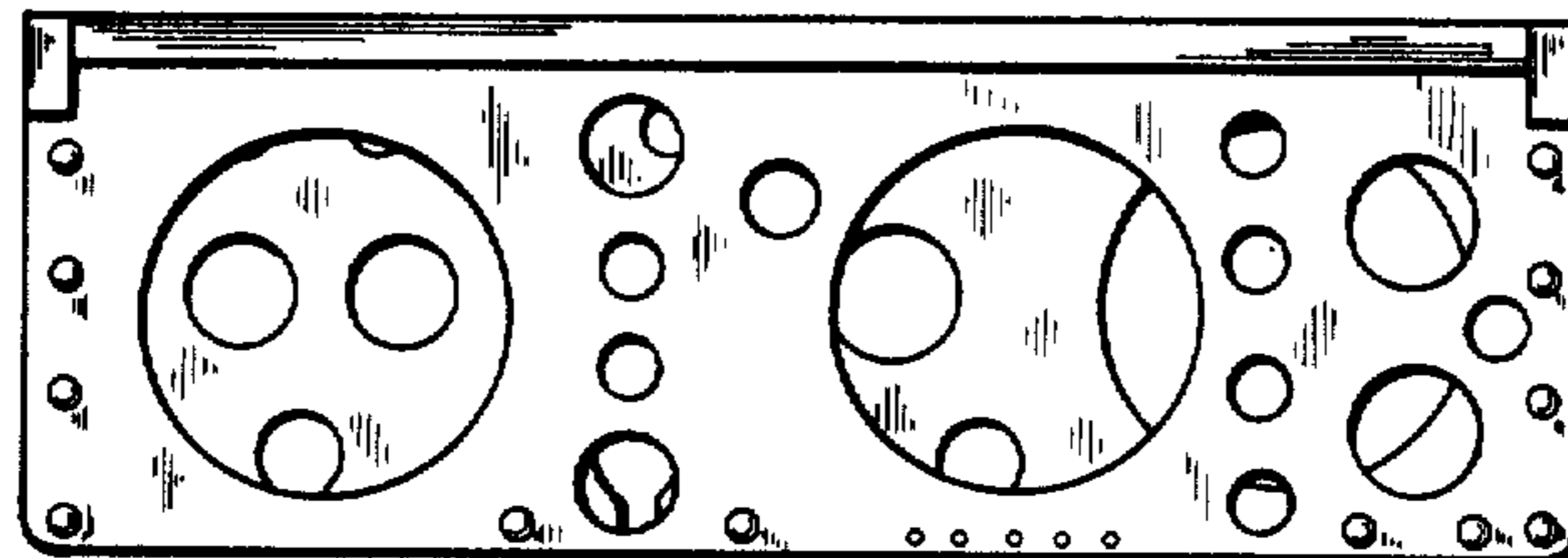


FIG. 4

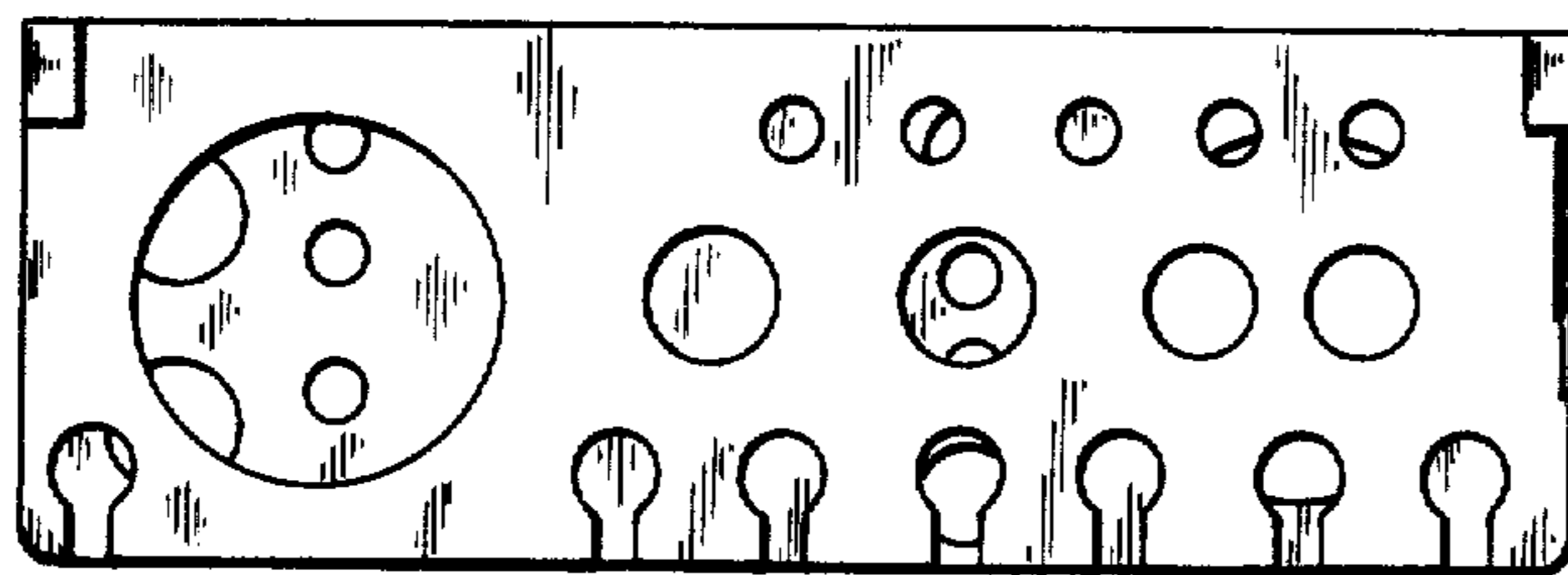


FIG. 5