

- [54] **KEY RACK OR THE LIKE**
- [75] Inventor: **Joan K. Creamer**, East Greenwich, R.I.
- [73] Assignee: **Dart Industries Inc.**, Los Angeles, Calif.
- [\*\*] Term: **14 Years**
- [21] Appl. No.: **143,062**
- [22] Filed: **Apr. 21, 1980**
- [51] Int. Cl. .... **D6-04; D8-08**
- [52] U.S. Cl. .... **D6/114; D6/151; D8/347**
- [58] Field of Search ..... **D6/114, 120, 157, 151; D8/347, 348, 373; 211/13, 87**

D. 242,096 11/1976 Hess ..... D6/114  
 2,889,050 6/1959 Modrey ..... 211/13

**OTHER PUBLICATIONS**

House Beautiful, 1/1965, p. 43, Key Rack, (bottom of page).

Primary Examiner—B. J. Bullock  
Attorney, Agent, or Firm—Leigh B. Taylor

[57] **CLAIM**

The ornamental design for a key rack or the like, substantially as shown.

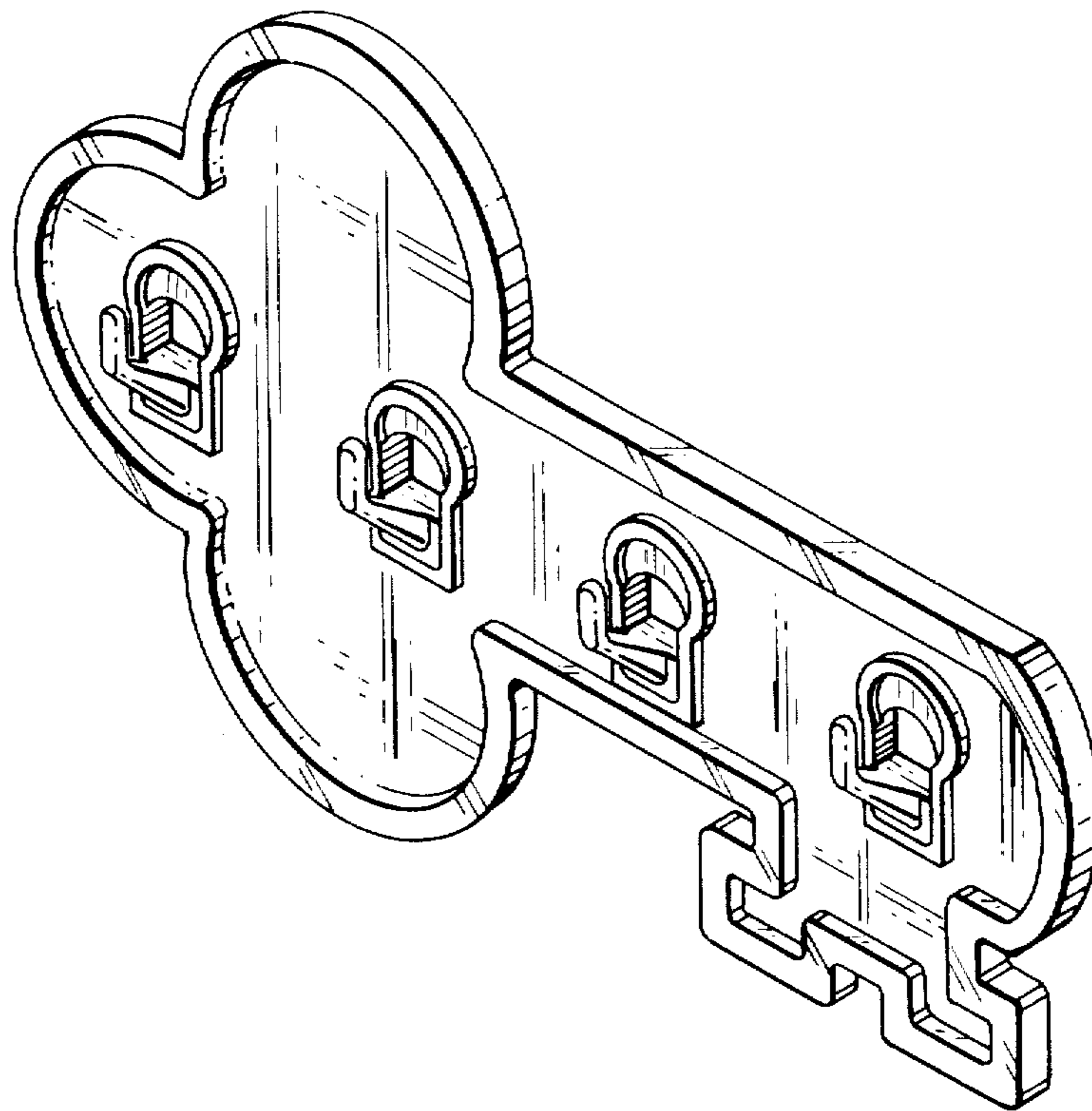
**DESCRIPTION**

FIG. 1 is a front perspective view of the key rack or the like showing my new design;  
 FIG. 2 is a side elevational view taken from the left of FIG. 1;  
 FIG. 3 is a front elevational view thereof;  
 FIG. 4 is a side elevational view taken from the right of FIG. 1;  
 FIG. 5 is a bottom plan view thereof;  
 FIG. 6 is a rear elevational view thereof.

[56] **References Cited**

**U.S. PATENT DOCUMENTS**

- D. 25,309 3/1896 Taylor ..... D8/348
- D. 39,689 12/1908 Jackson ..... D8/347
- D. 206,166 11/1966 Conover ..... D6/114



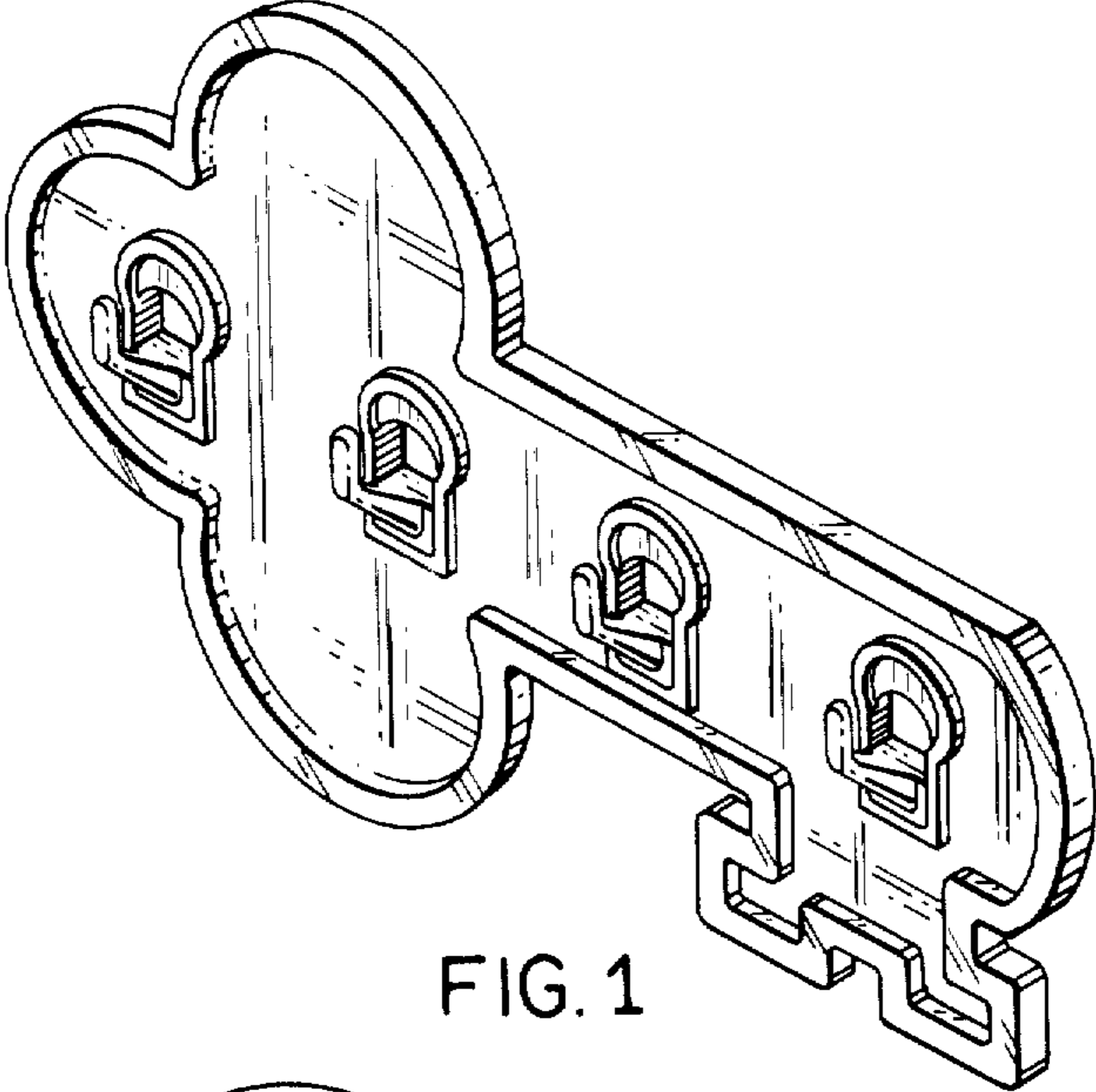


FIG. 1

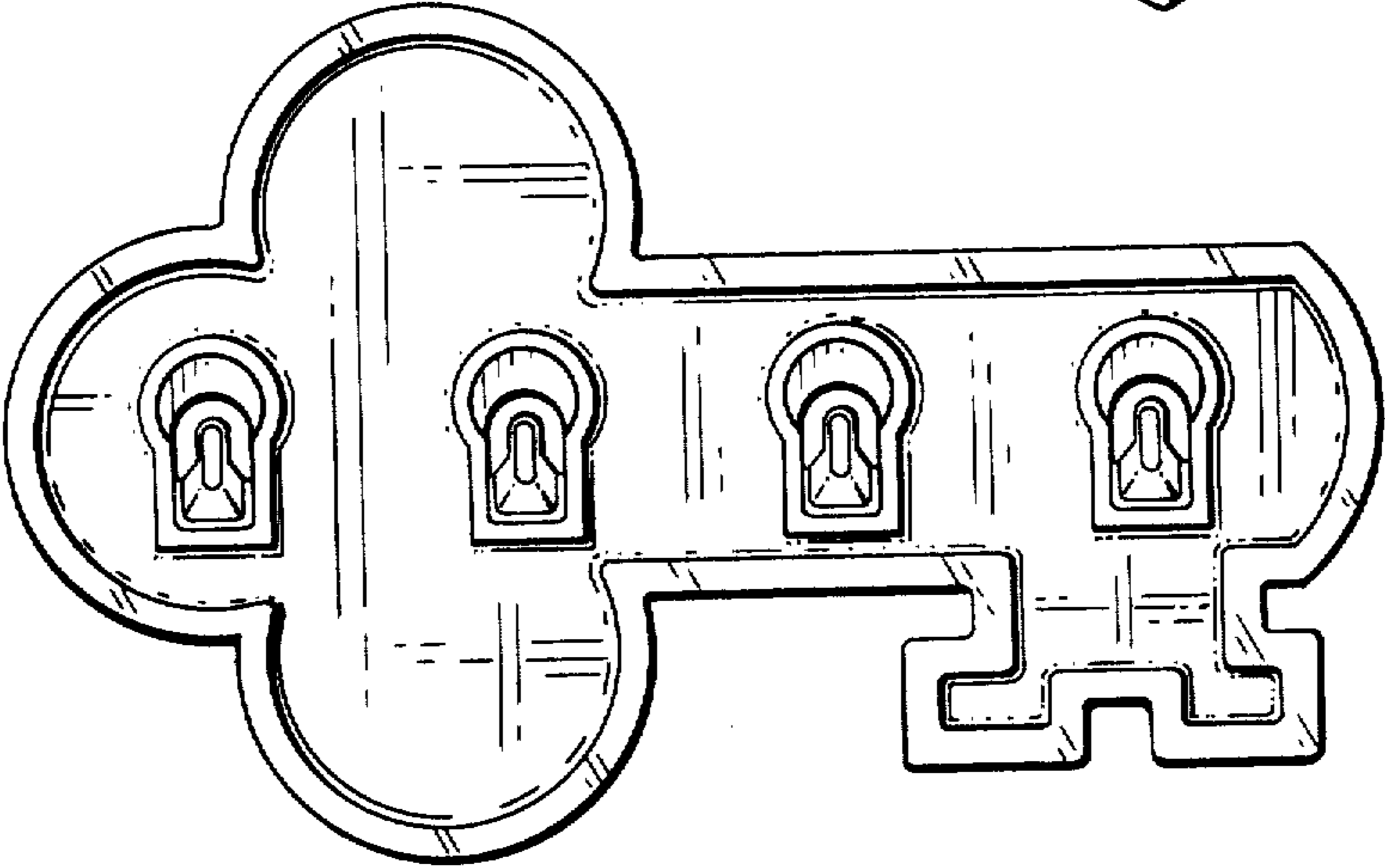


FIG. 3

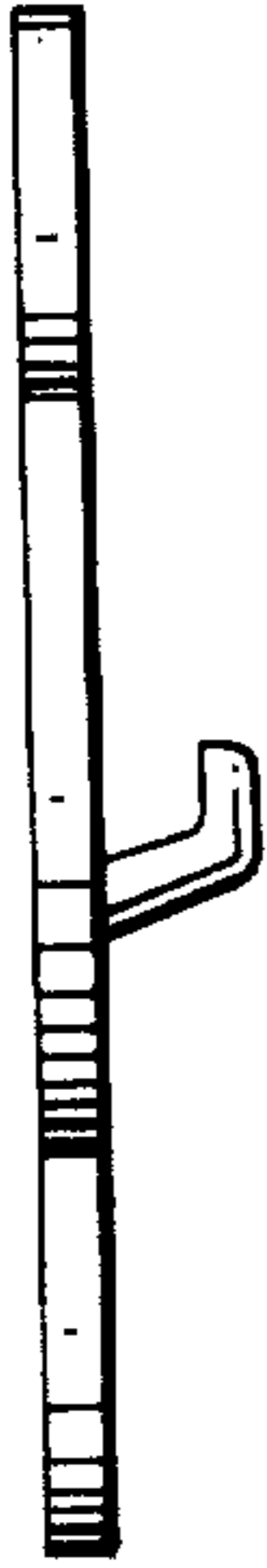


FIG. 2

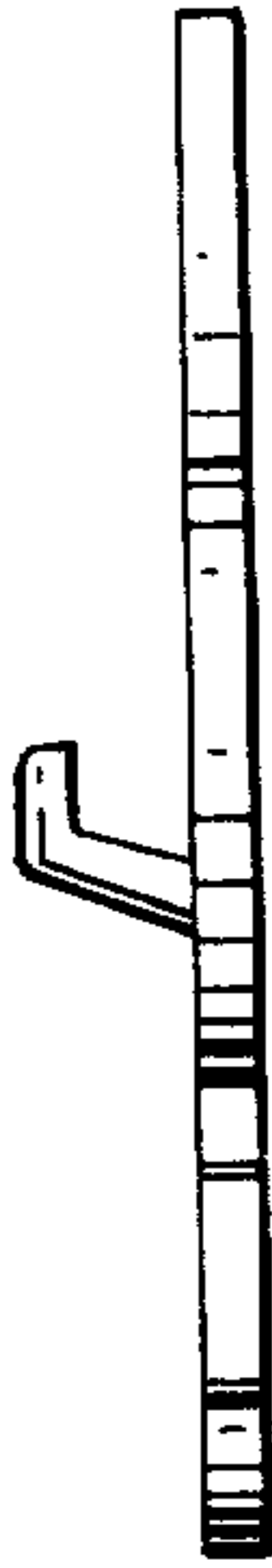


FIG. 4



FIG. 5

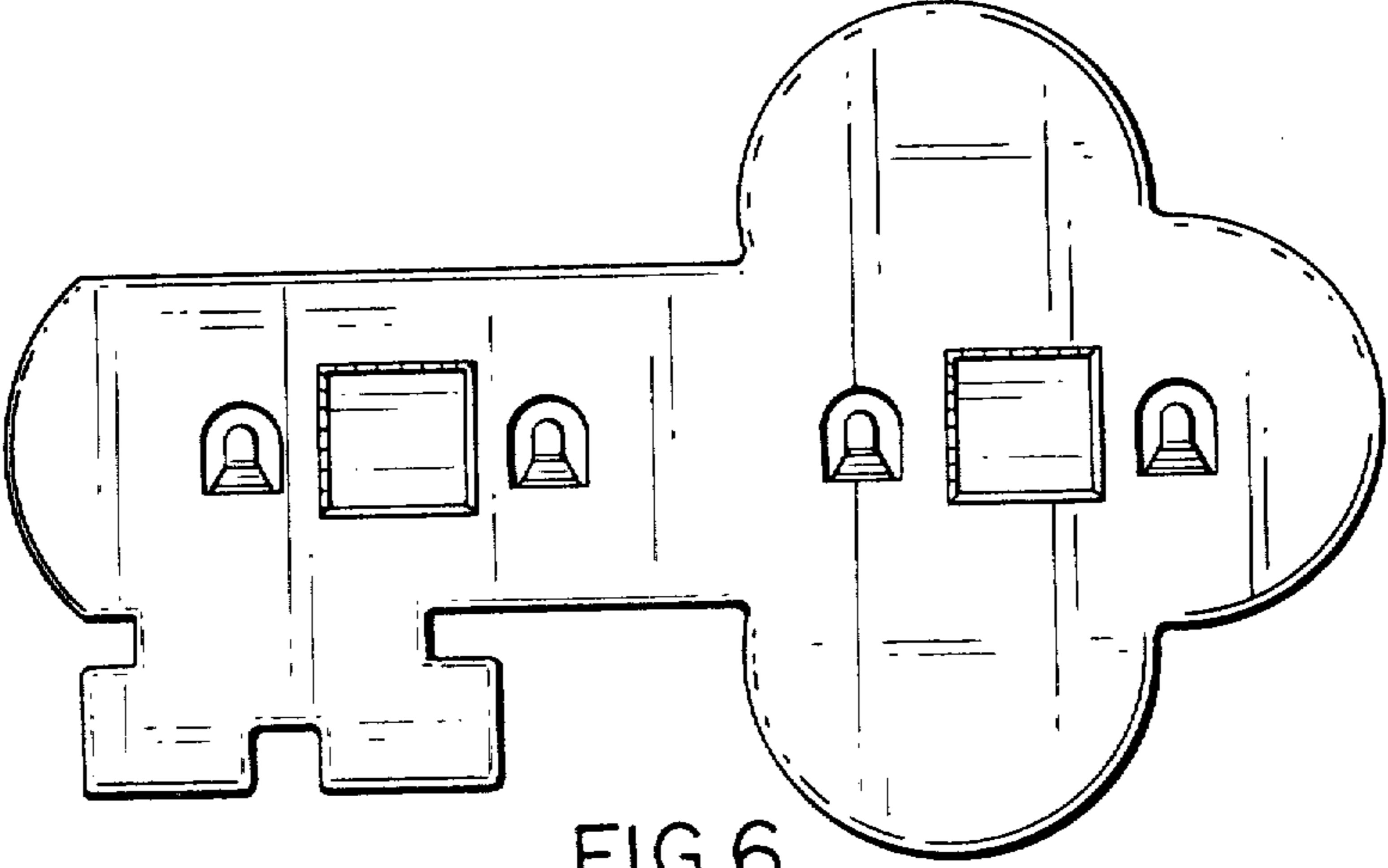


FIG. 6