

[54] **GAME CHAIR**

[75] Inventor: **Edward L. Stulik, Jr.**, Calabasas,  
Calif.  
[73] Assignee: **Michael Wichinsky**, Las Vegas, Nev.

[\*\*] Term: **14 Years**

[21] Appl. No.: **920,853**

[22] Filed: **Jun. 30, 1978**

[51] Int. Cl. .... **D6—05**  
[52] U.S. Cl. .... **D6/42; D6/64**  
[58] Field of Search ..... **D6/30, 31, 37-39,**  
**D6/67-78, 42, 43, 64**

[56]

**References Cited**

**U.S. PATENT DOCUMENTS**

D. 215,597 10/1969 Rich ..... D6/64  
D. 225,796 1/1973 Helverson ..... D6/43  
D. 236,566 9/1975 Parchan ..... D6/42 X  
D. 250,230 11/1978 Kotula ..... D6/42

*Primary Examiner*—Bruce W. Dunkins  
*Attorney, Agent, or Firm*—Julian J. Schamus

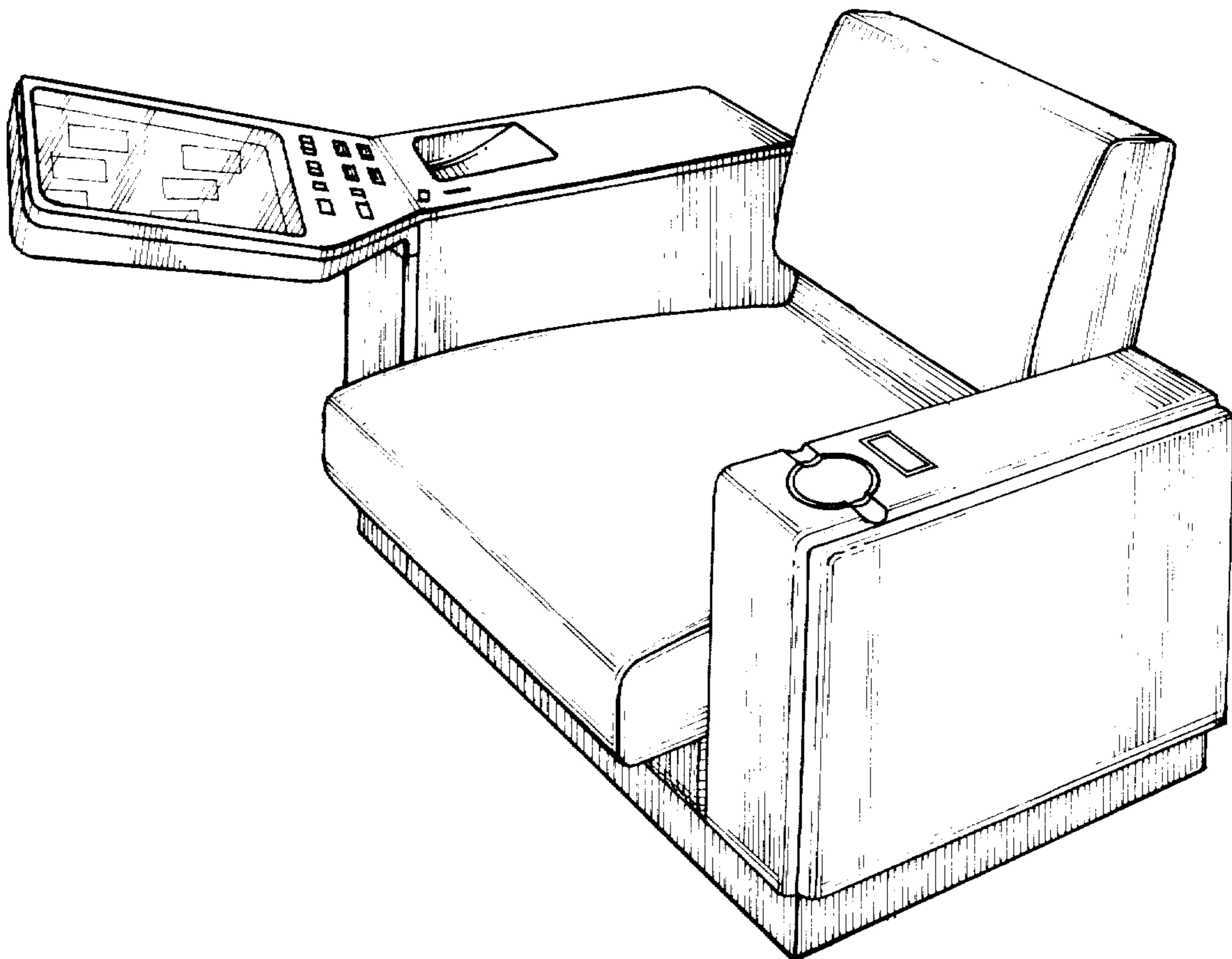
[57]

**CLAIM**

The ornamental design for a game chair, as shown and described.

**DESCRIPTION**

FIG. 1 is a perspective view of a game chair showing my new design;  
FIG. 2 is a right side elevation view thereof;  
FIG. 3 is a top view thereof;  
FIG. 4 is a front view thereof;  
FIG. 5 is a back view thereof;  
FIG. 6 is a bottom view thereof.



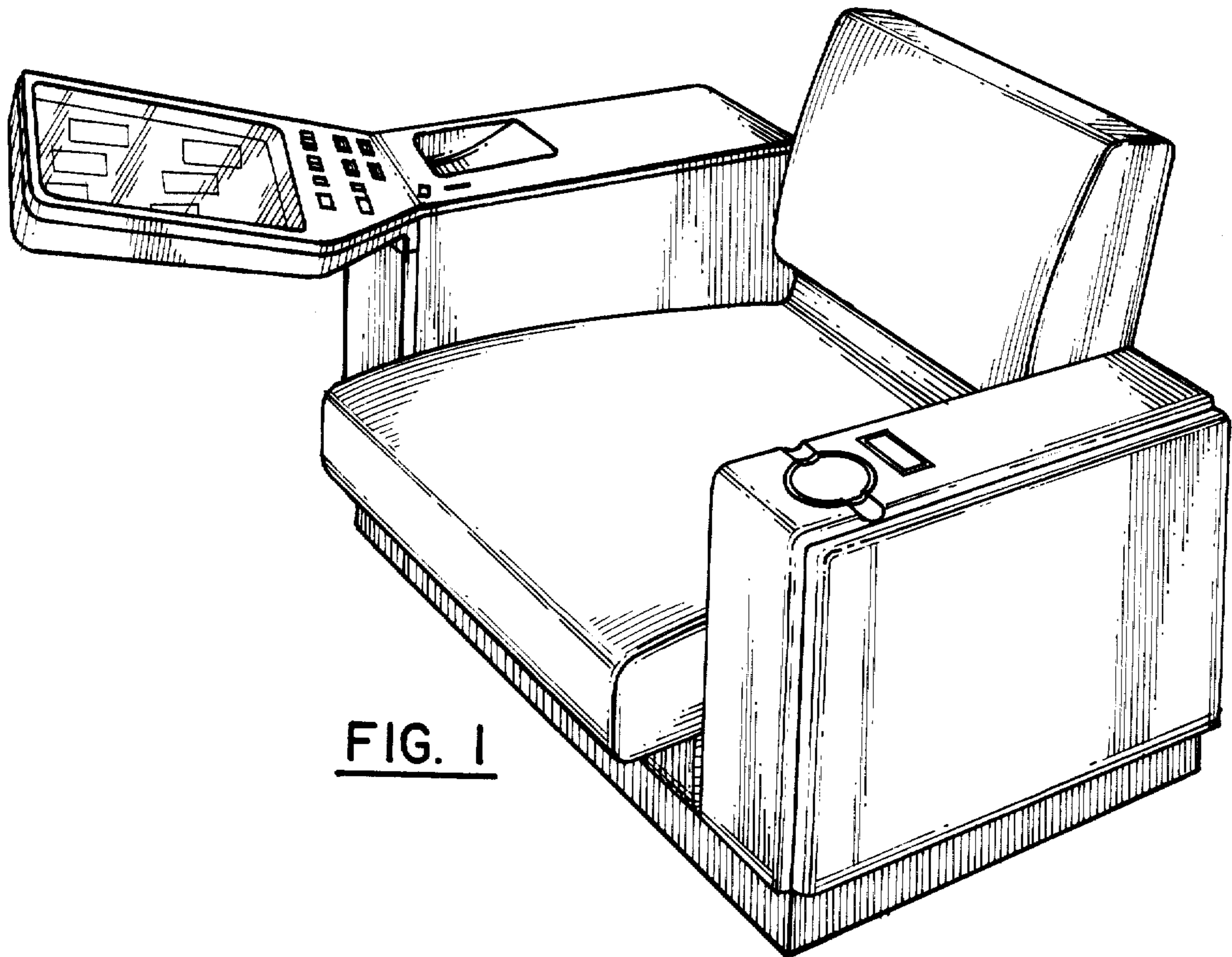


FIG. 1

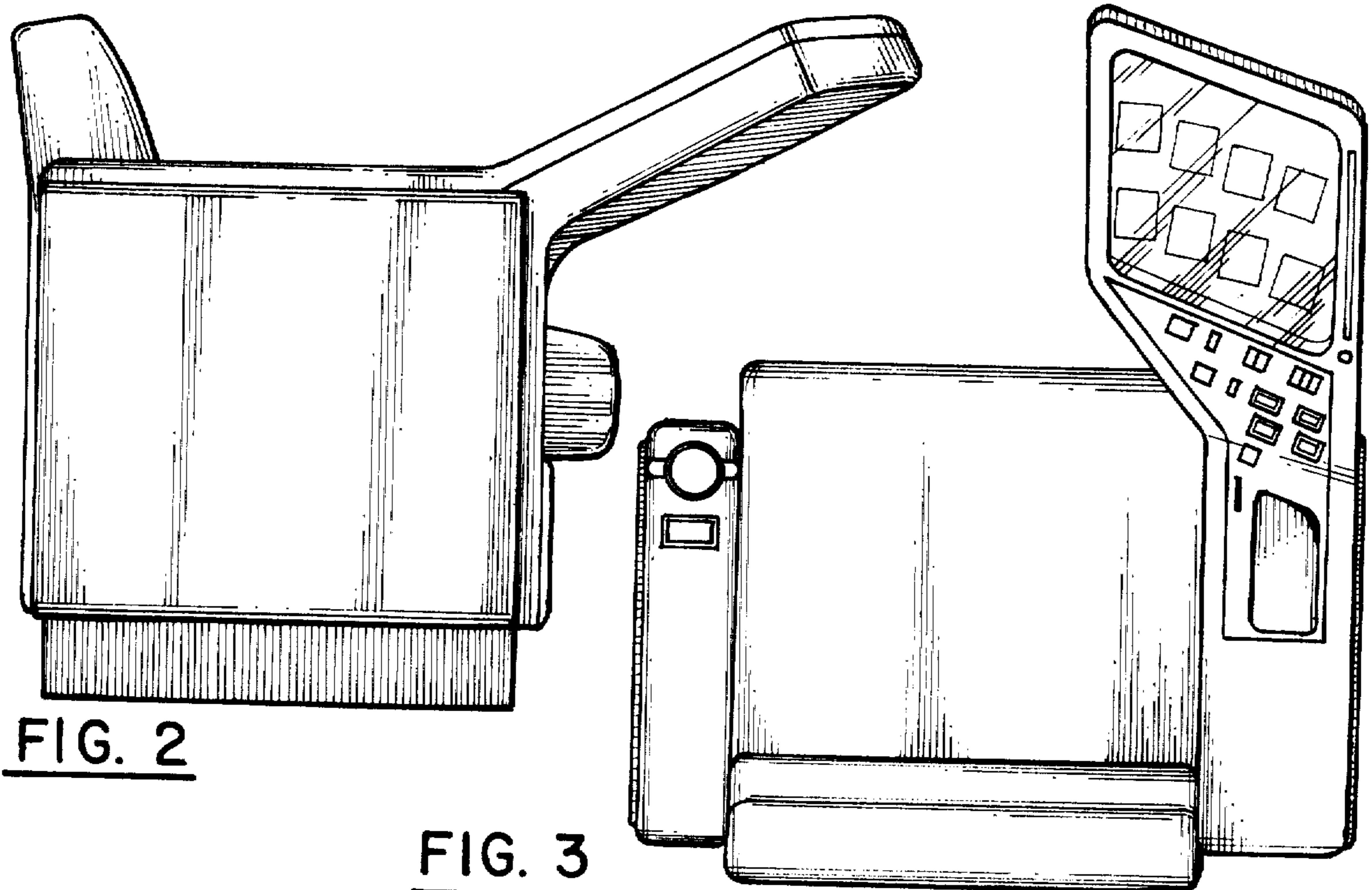
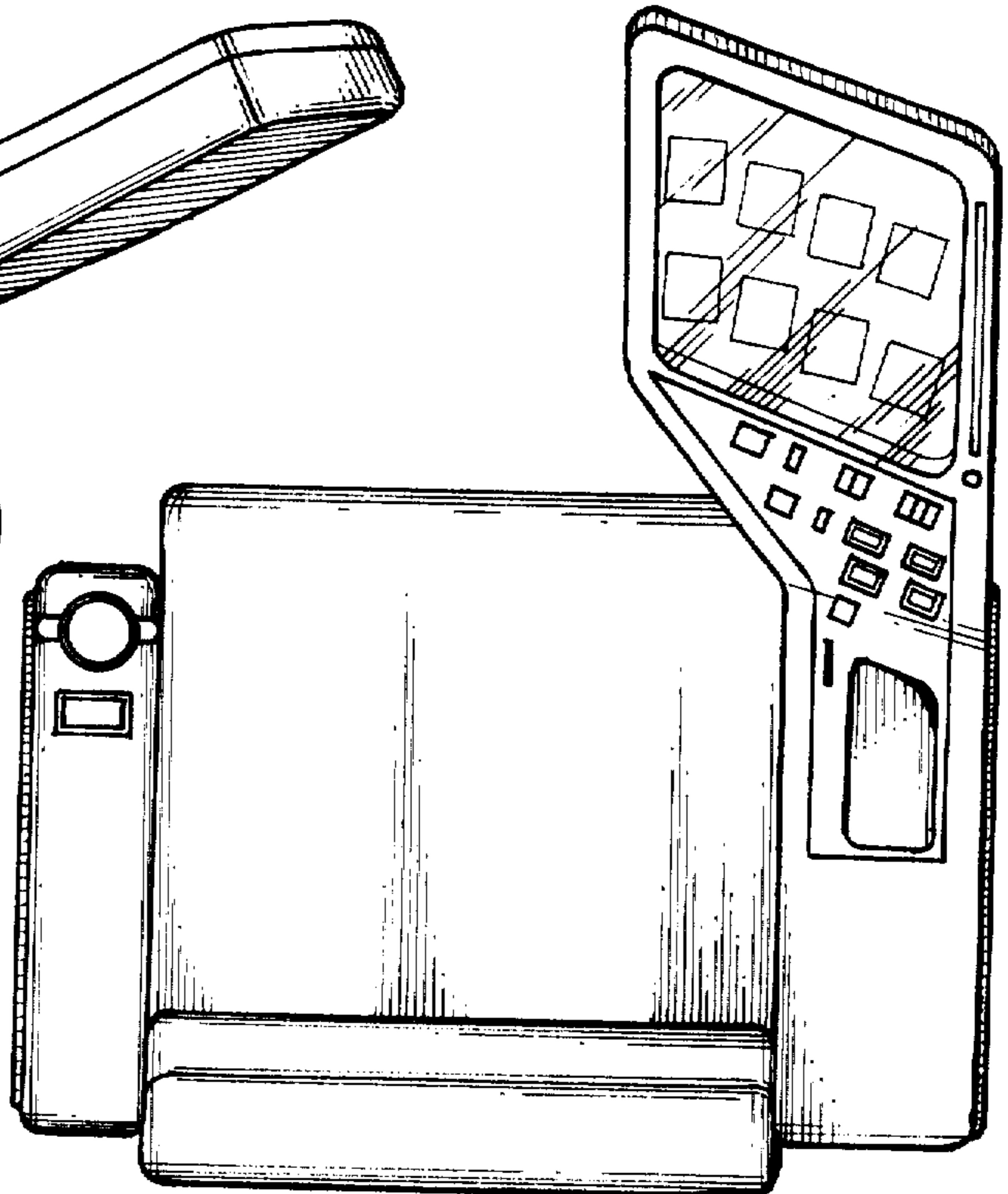


FIG. 2

FIG. 3



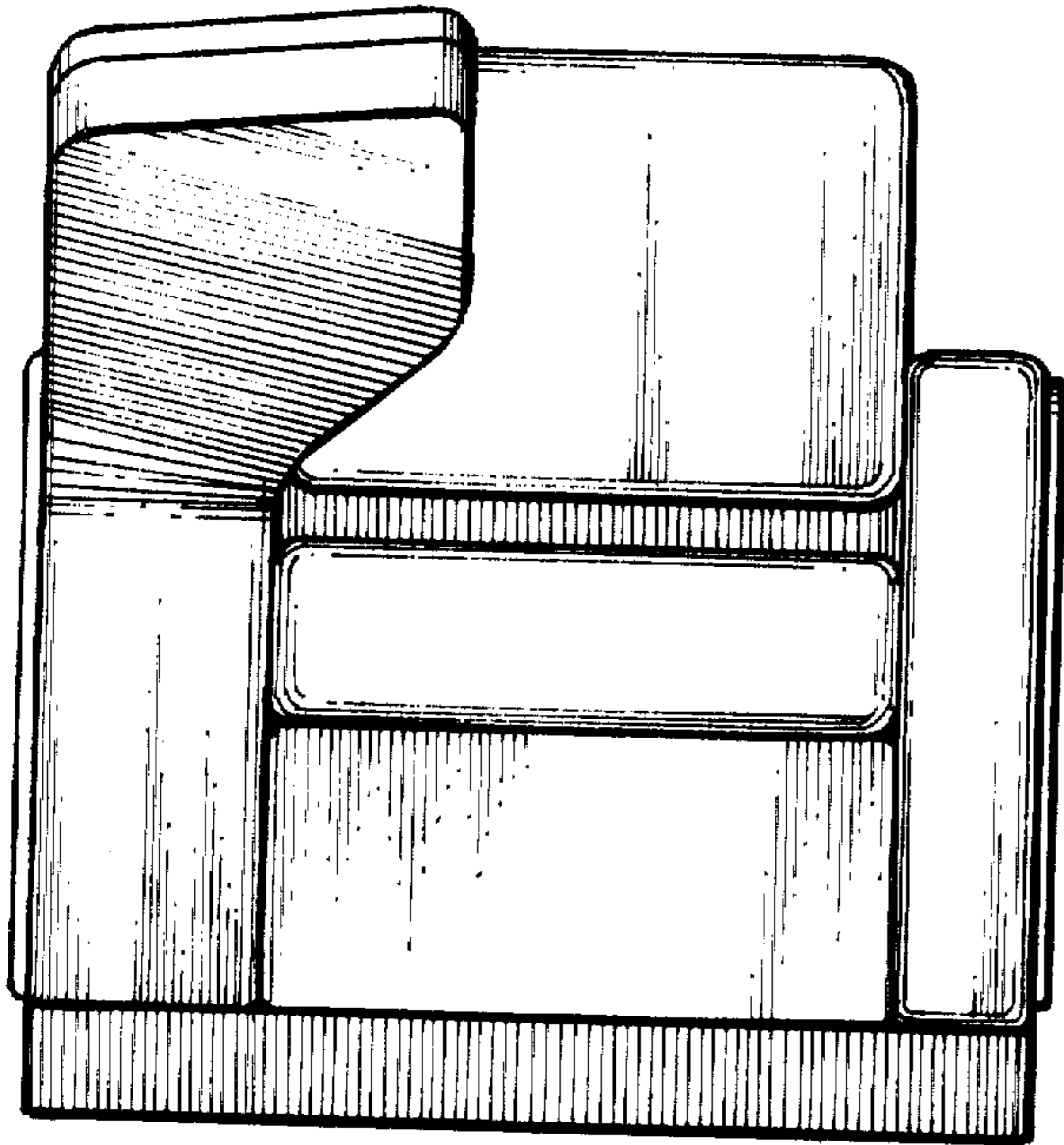


FIG. 4

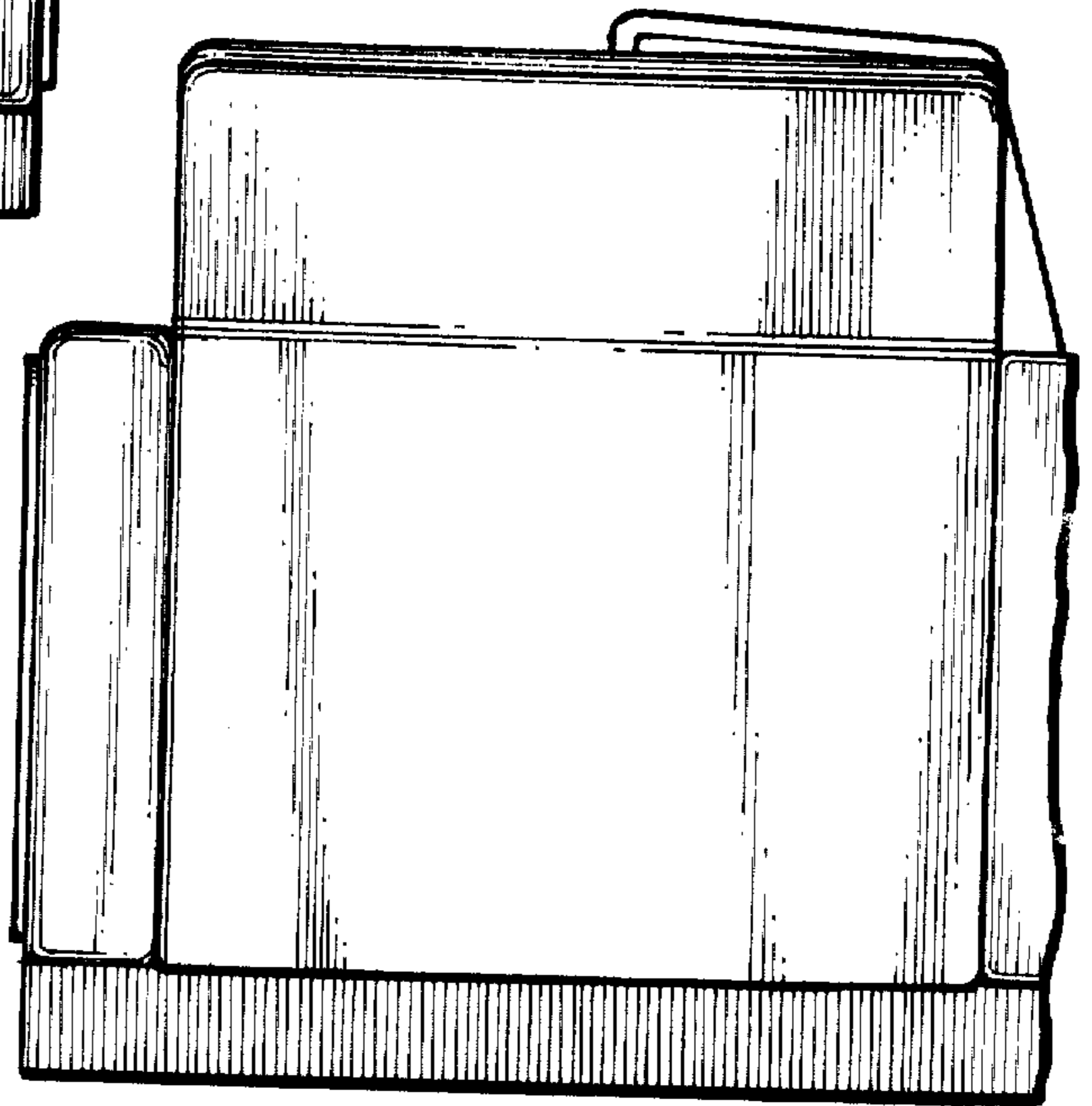


FIG. 5

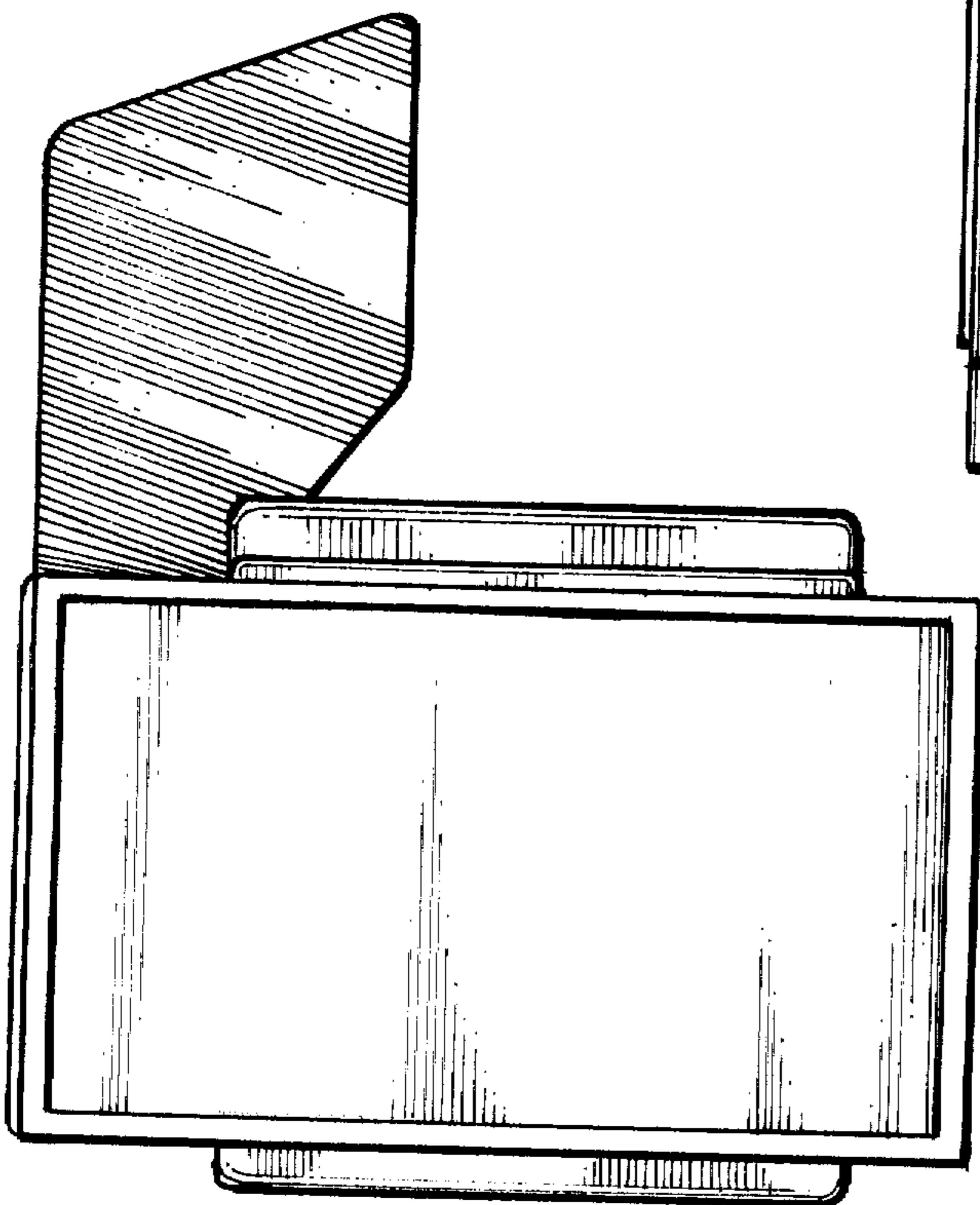


FIG. 6