

[54] PINBALL GAME HOUSING FOR PRE-SCHOOL AGE CHILDREN

[75] Inventor: Yuji Kato, Tokyo, Japan

[73] Assignee: Tomy Kogyo Co., Inc., Tokyo, Japan

[**] Term: 14 Years

[21] Appl. No.: 67,825

[22] Filed: Aug. 20, 1979

[30] Foreign Application Priority Data

May 23, 1979 [JP] Japan 54-20898

[51] Int. Cl. D21-01

[52] U.S. Cl. D2/7

[58] Field of Search D21/7, 9, 10; 273/121 A, 121 R, 126 R

[56] References Cited PUBLICATIONS

Playthings, May 5, 1977, p. 64, Pop-Up Pinball.

Primary Examiner—Melvin B. Feifer
Attorney, Agent, or Firm—Edward D. O'Brian; K. H. Boswell

[57] CLAIM

The ornamental design for a pinball game housing for pre-school age children, substantially as shown and described.

DESCRIPTION

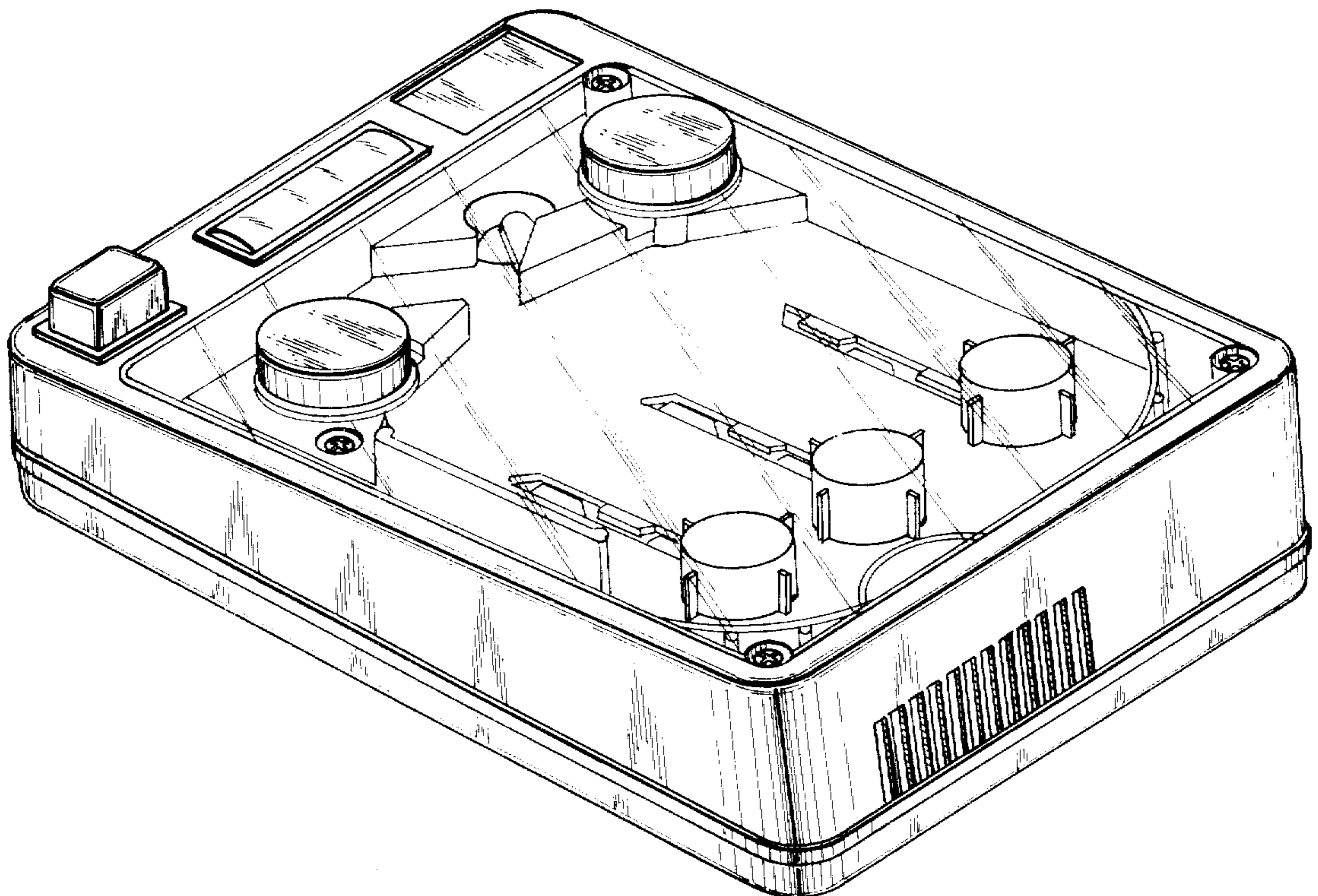
FIG. 1 is an oblique view showing the upper end, one side and the top of the pinball game housing for pre-school children;

FIG. 2 is a top plan view of the pinball game shown in FIG. 1;

FIG. 3 is an end elevational view of the end not visible in FIG. 1;

FIG. 4 is a side elevational view of the side not visible in FIG. 1; and

FIG. 5 is a bottom plan view.



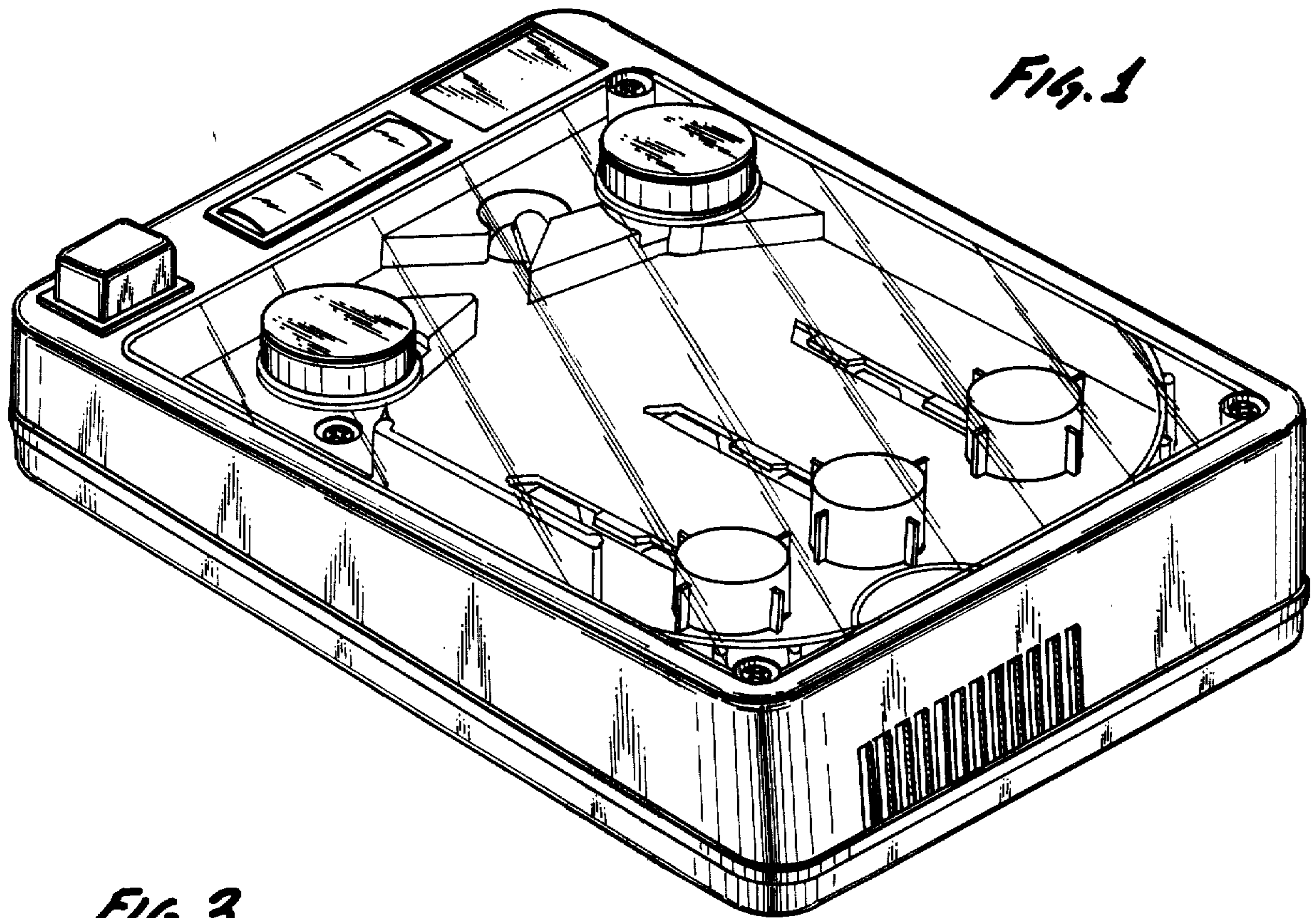


Fig. 3

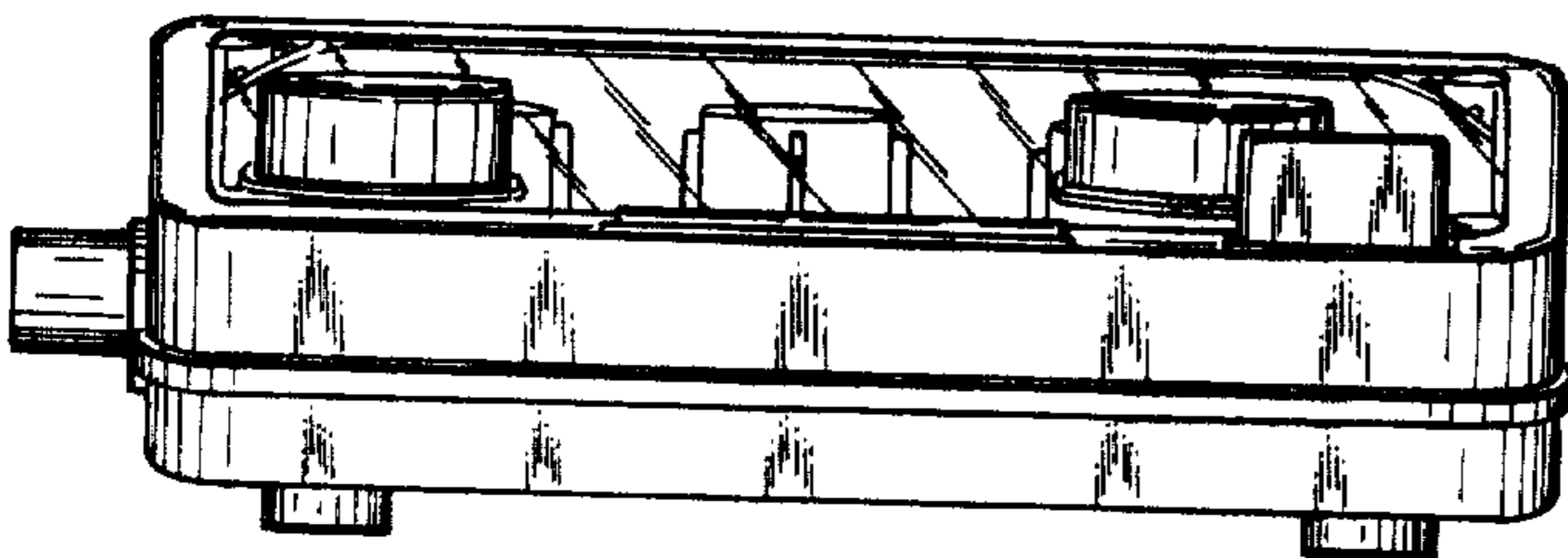


Fig. 4

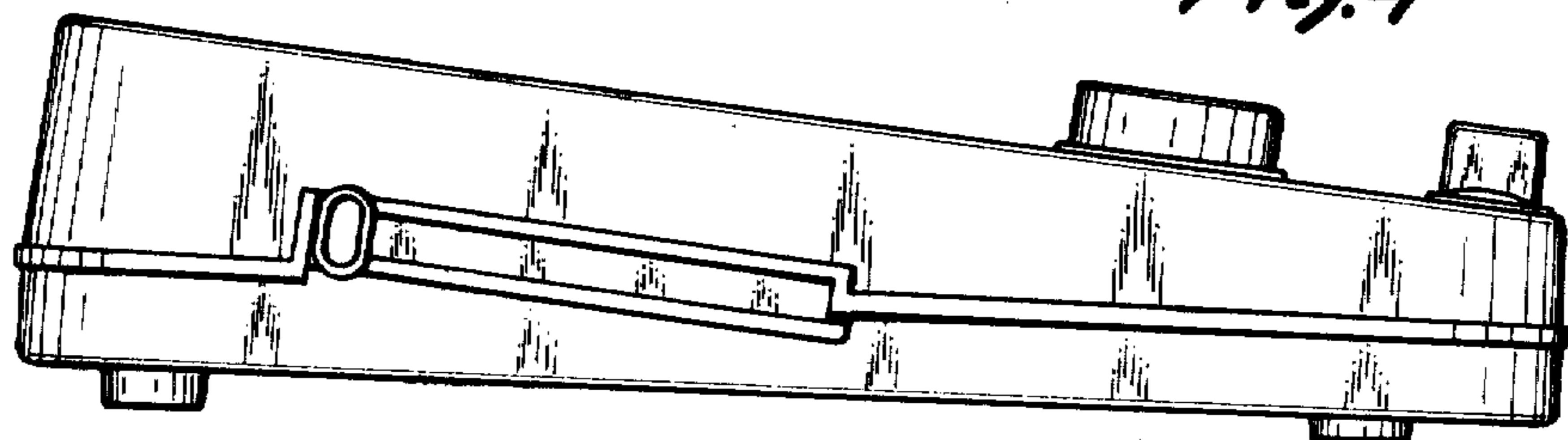


Fig. 5

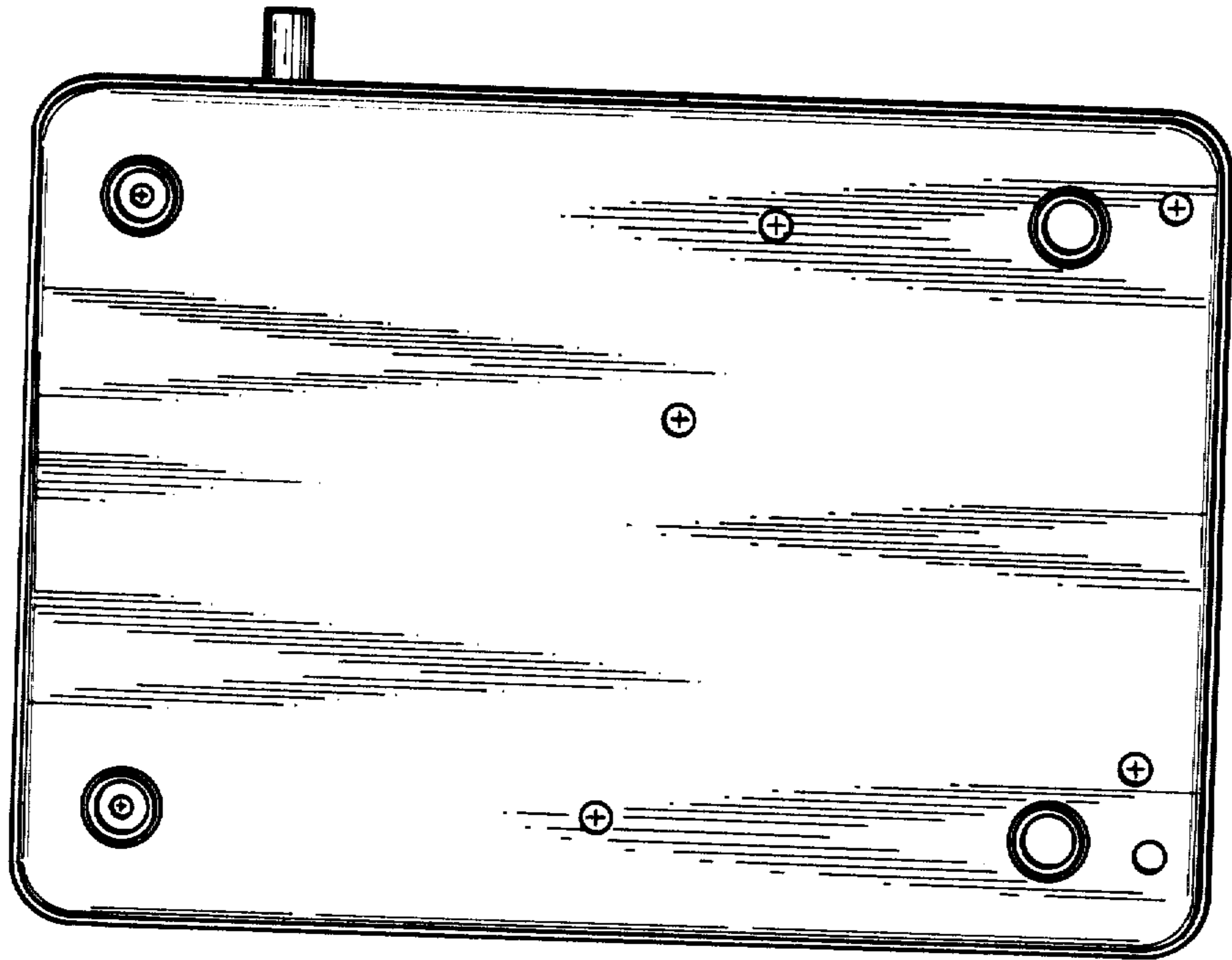


Fig. 2

