

[54] INTRAVENOUS EQUIPMENT SUPPORT OR SIMILAR ARTICLE

1,261,755	4/1918	Beyle	248/311.3
2,923,293	2/1960	Nawoj et al.	128/214 R
2,954,028	9/1960	Smith	128/214 R
3,552,577	1/1971	Latham	248/311.3

[75] Inventors: Nicholas Zissimopoulos, Schaumburg; Lenart Anderson, Mt. Prospect, both of Ill.

[73] Assignee: Baxter Travenol Laboratories, Inc., Deerfield, Ill.

[**] Term: 7 Years

[21] Appl. No.: 1,640

[22] Filed: Jan. 8, 1979

[51] Int. Cl. D24-99

[52] U.S. Cl. D24/31; D6/20; D6/28; D24/1.1; D24/29; D24/52

[58] Field of Search D24/52, 29, 28, 31; D6/20, 28, 29; 128/214 R, 214 C, DIG. 26; 248/125, 161, 311.3; 211/74

[56] References Cited

U.S. PATENT DOCUMENTS

D. 252,300 7/1979 Pryor D6/28

OTHER PUBLICATIONS

IVAC 1050 Publication No. 123199B.

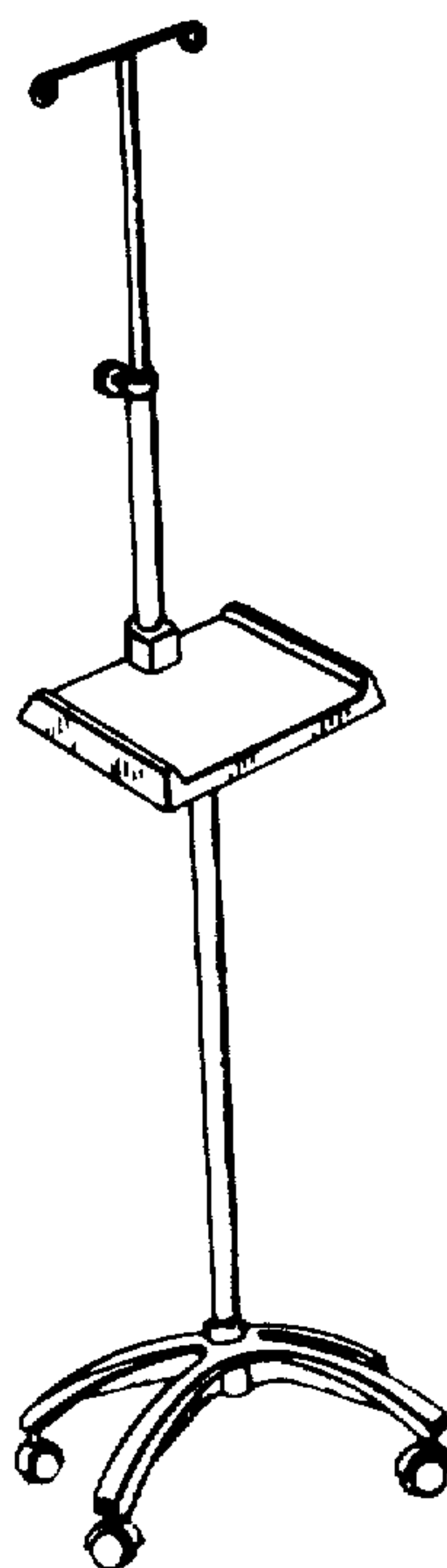
Primary Examiner—Sam Rosen
Attorney, Agent, or Firm—Paul C. Flattery; John P. Kirby, Jr.; Kirk M. McInerney

[57] CLAIM

The ornamental design of an intravenous equipment support or similar article, substantially as shown and described.

DESCRIPTION

FIG. 1 is a reduced perspective view of an intravenous equipment support or similar article showing our new design;
FIG. 2 is a side elevational view of the side opposite that is shown in FIG. 1;
FIG. 3 is a rear elevational view thereof with the bottom portion not being shown for ease of illustration; and
FIG. 4 is a top plan view thereof.



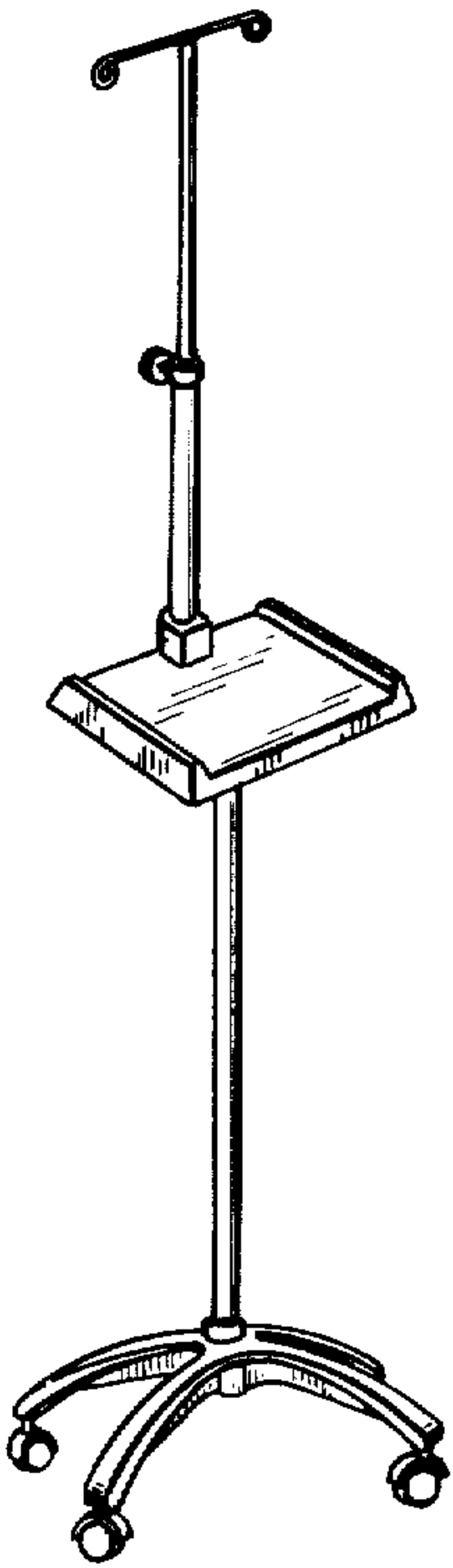


Fig. 1.

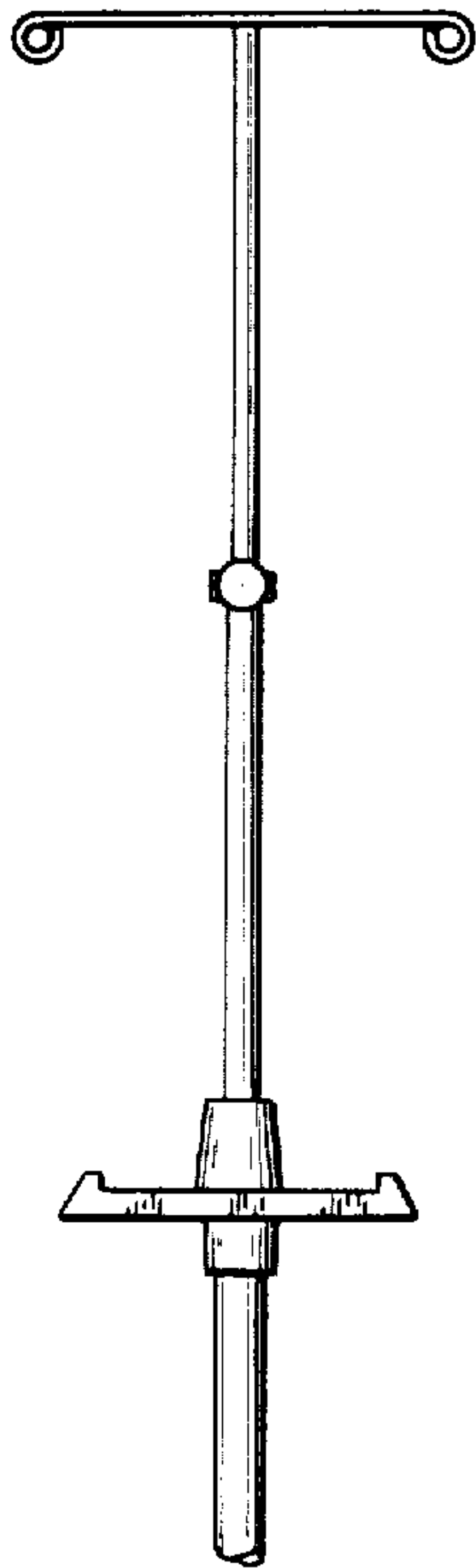


Fig. 3.

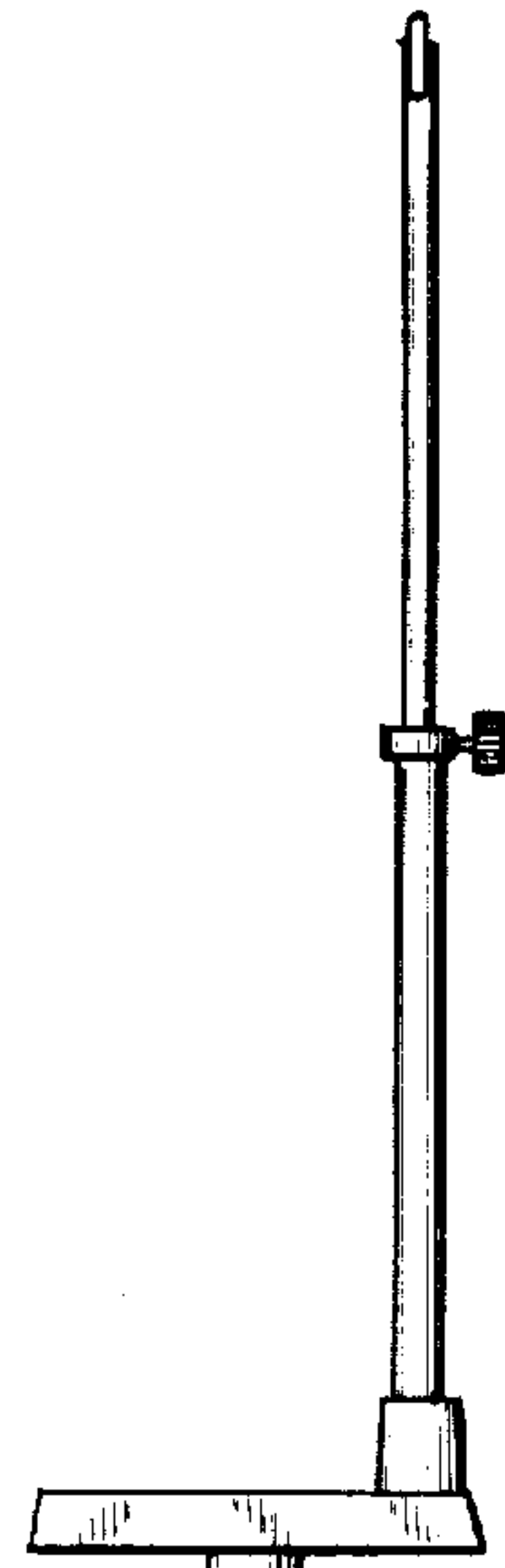


Fig. 2.

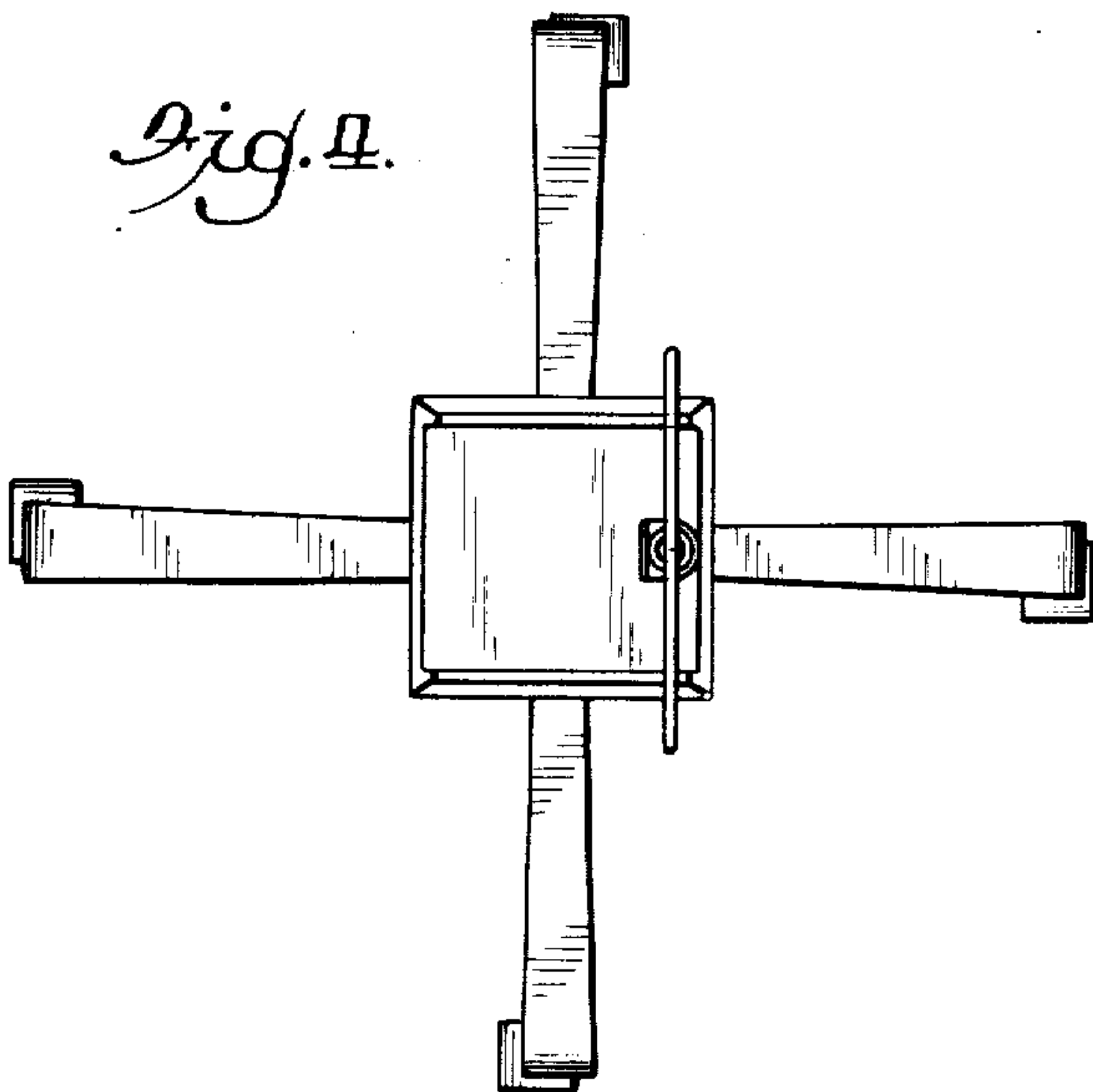


Fig. 4.

