

[54] **SYRINGE HAVING A CALIBRATED PLUNGER**

[75] Inventors: **Donald J. Goldhardt**, Grove City, Ohio; **Darcy M. Willis**, Gurnee, Ill.

[73] Assignee: **Abbott Laboratories**, North Chicago, Ill.

[**] Term: **14 Years**

[21] Appl. No.: **955,994**

[22] Filed: **Oct. 30, 1978**

[51] Int. Cl. **D24-02**
[52] U.S. Cl. **D24/24; D24/60**
[58] Field of Search **D24/60, 24; 128/218 PA, 128/218 P, 218 R, 215, 218 C**

[56] **References Cited**
U.S. PATENT DOCUMENTS

4,064,879 12/1977 Leibensohn 128/218 P
4,121,588 10/1978 Geiger 128/218 R

Primary Examiner—Sam Rosen
Attorney, Agent, or Firm—Gildo E. Fato; Robert L. Niblack

[57] **CLAIM**

The ornamental design for a syringe having a calibrated plunger, substantially as shown and described.

DESCRIPTION

FIG. 1 is a perspective view of the syringe having a calibrated plunger showing our new design; FIG. 2 is a top plan view thereof; FIG. 3 is a bottom plan view thereof; FIG. 4 is a side elevational view thereof; and FIG. 5 is a side elevational view thereof showing the plunger in the retracted position.

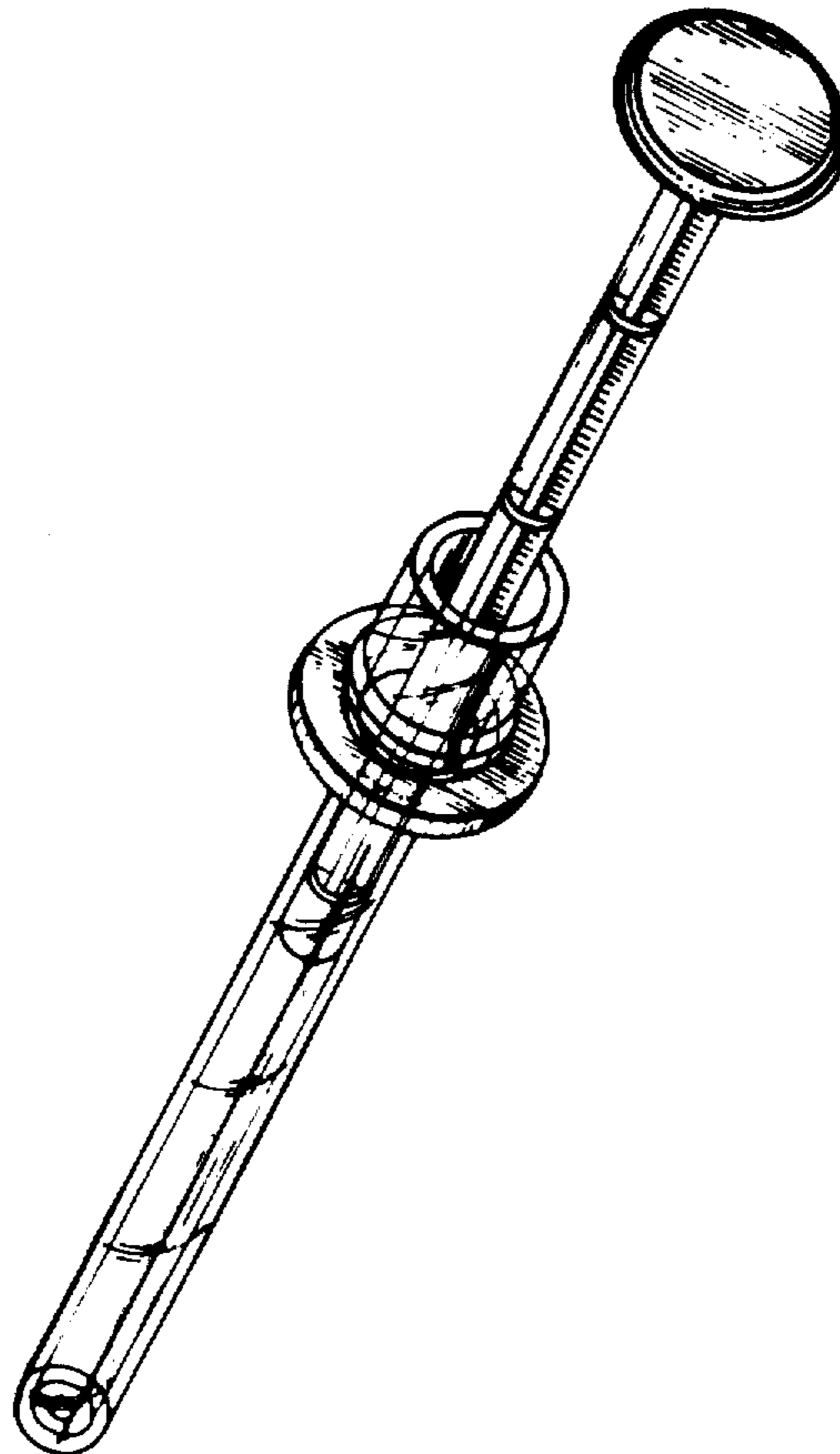


Fig. 2.



Fig. 4.

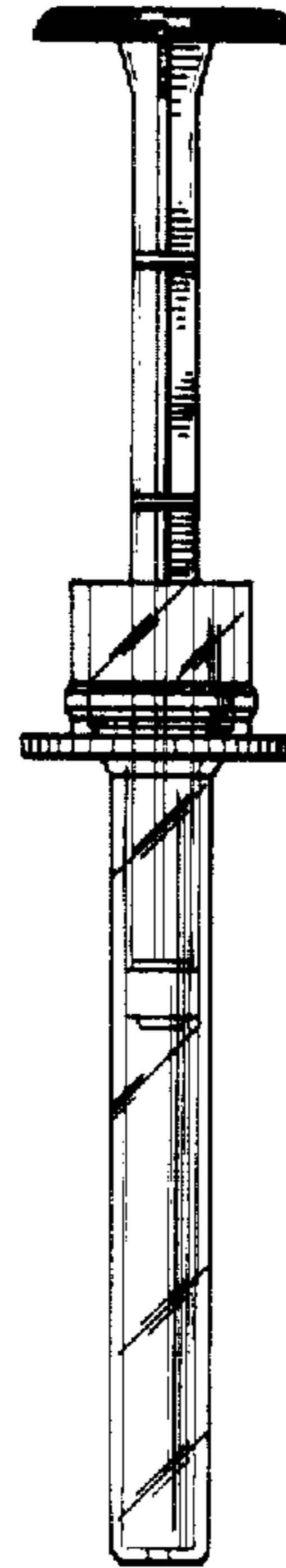


Fig. 5.

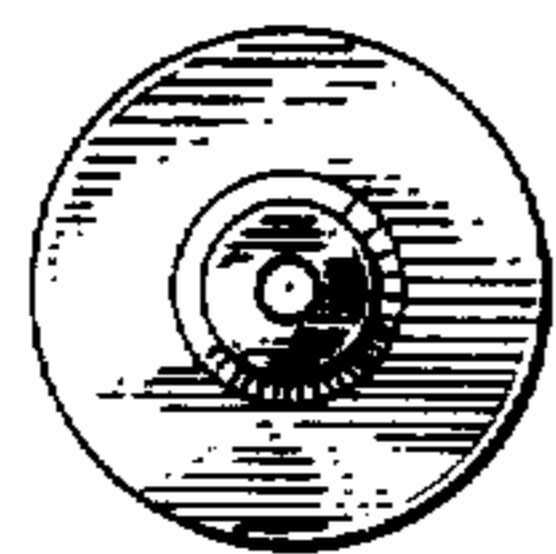
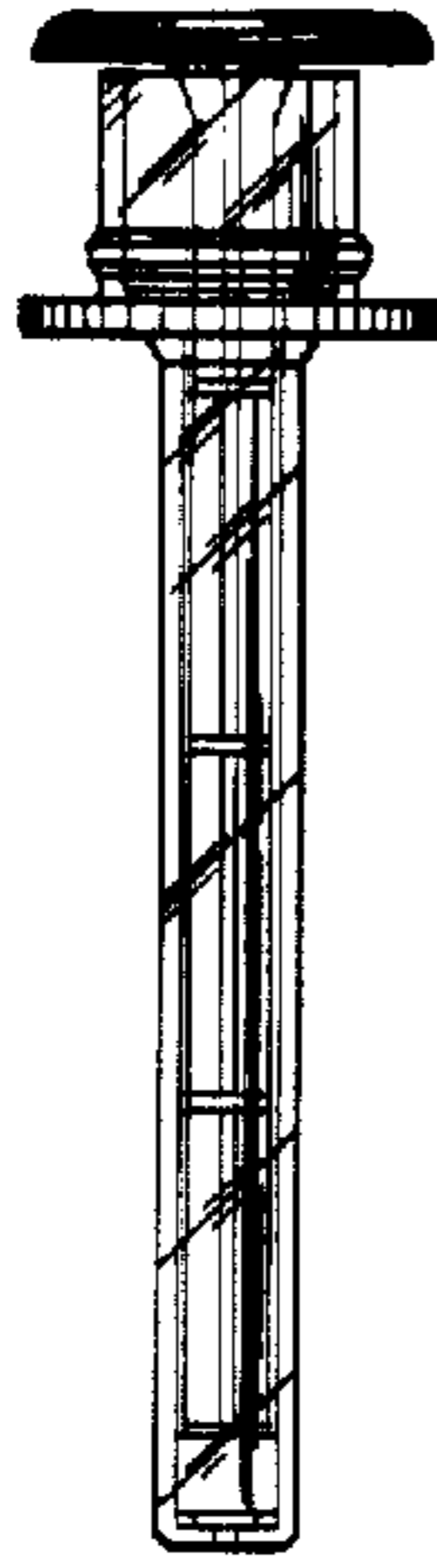


Fig. 3.

Fig. 1.

