

[54] AMALGAMATOR

[75] Inventors: Meyer Piet, Arcadia; Dean G. Giles, Valinda, both of Calif.

[73] Assignee: Futurecraft Corporation, City of Industry, Calif.

[\*\*] Term: 14 Years

[21] Appl. No.: 5,370

[22] Filed: Jan. 22, 1979

[51] Int. Cl. .... D24-02; D15-09

[52] U.S. Cl. .... D24/10; D15/122

[58] Field of Search ..... D24/10; D15/122; 209/174

[56] References Cited

U.S. PATENT DOCUMENTS

D. 152,488 1/1949 Meltzer ..... D24/10

Primary Examiner—Sam Rosen  
Attorney, Agent, or Firm—James E. Brunton

[57] CLAIM

The ornamental design for an amalgamator, as shown and described.

DESCRIPTION

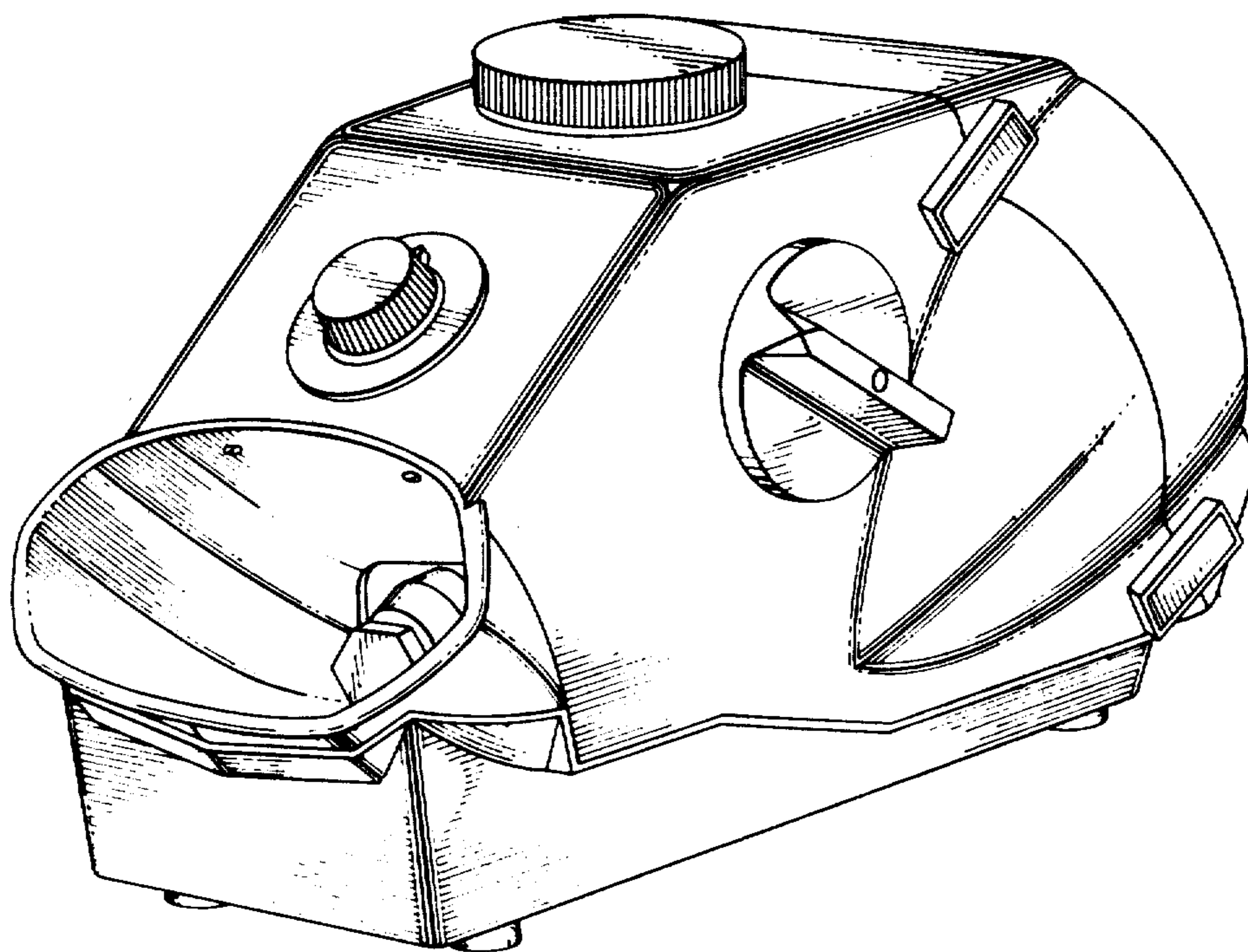
FIG. 1 is a perspective view of an amalgamator showing our new design;

FIG. 2 is a top view thereof;

FIG. 3 is a rear view thereof;

FIG. 4 is a side view showing the side opposite that shown in FIG. 1; and

FIG. 5 is a front view thereof.



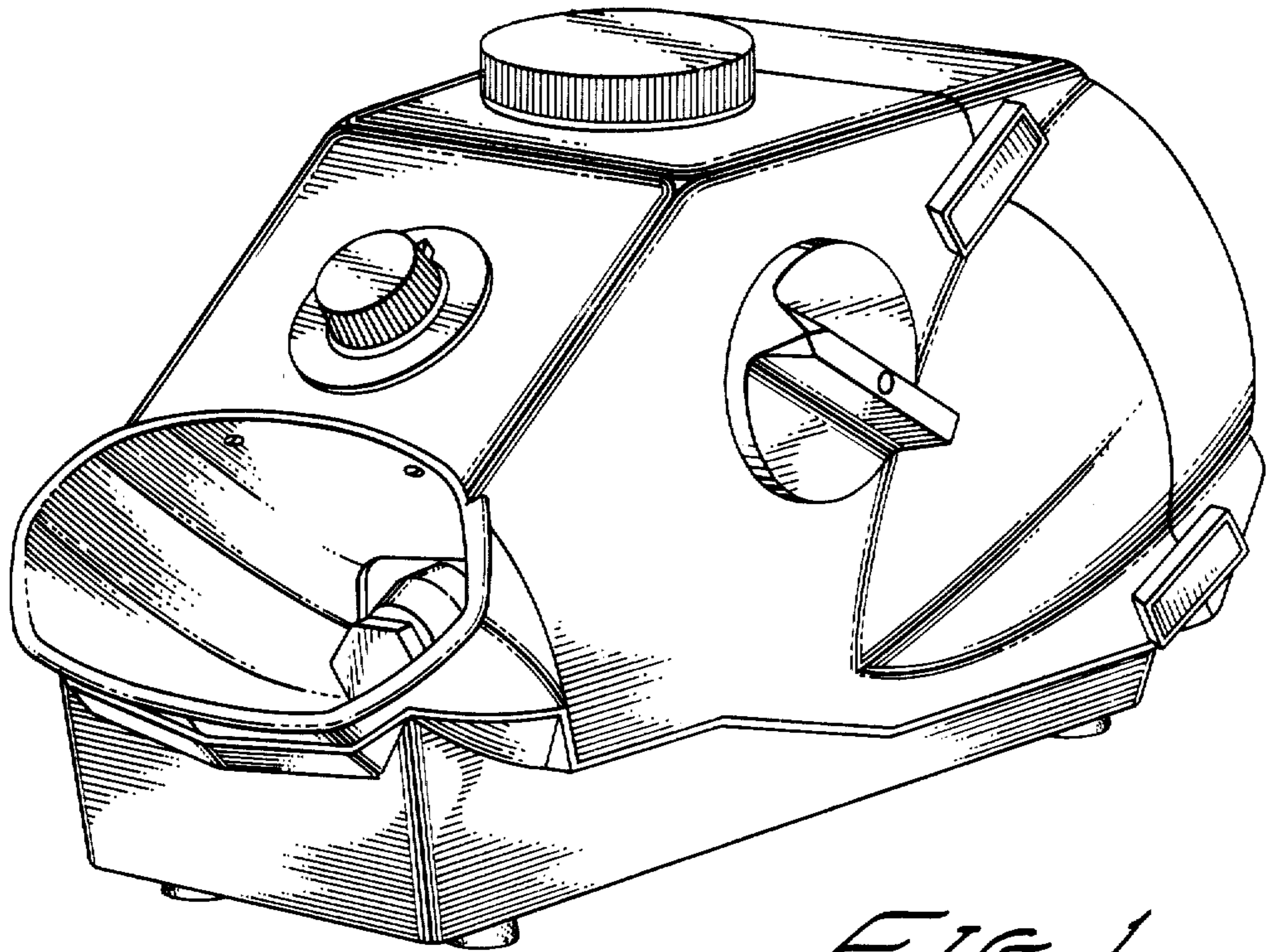


FIG. 1.

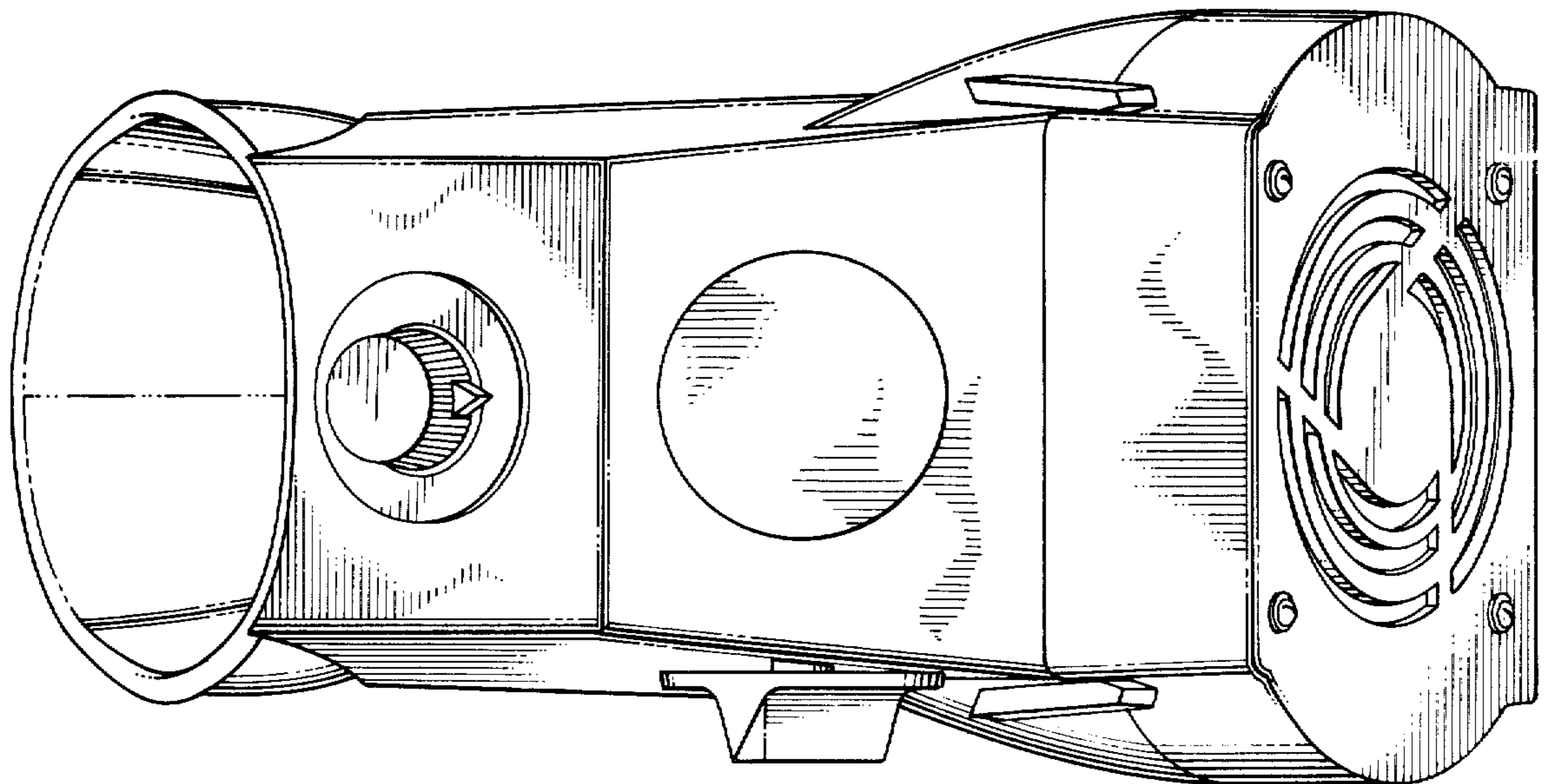
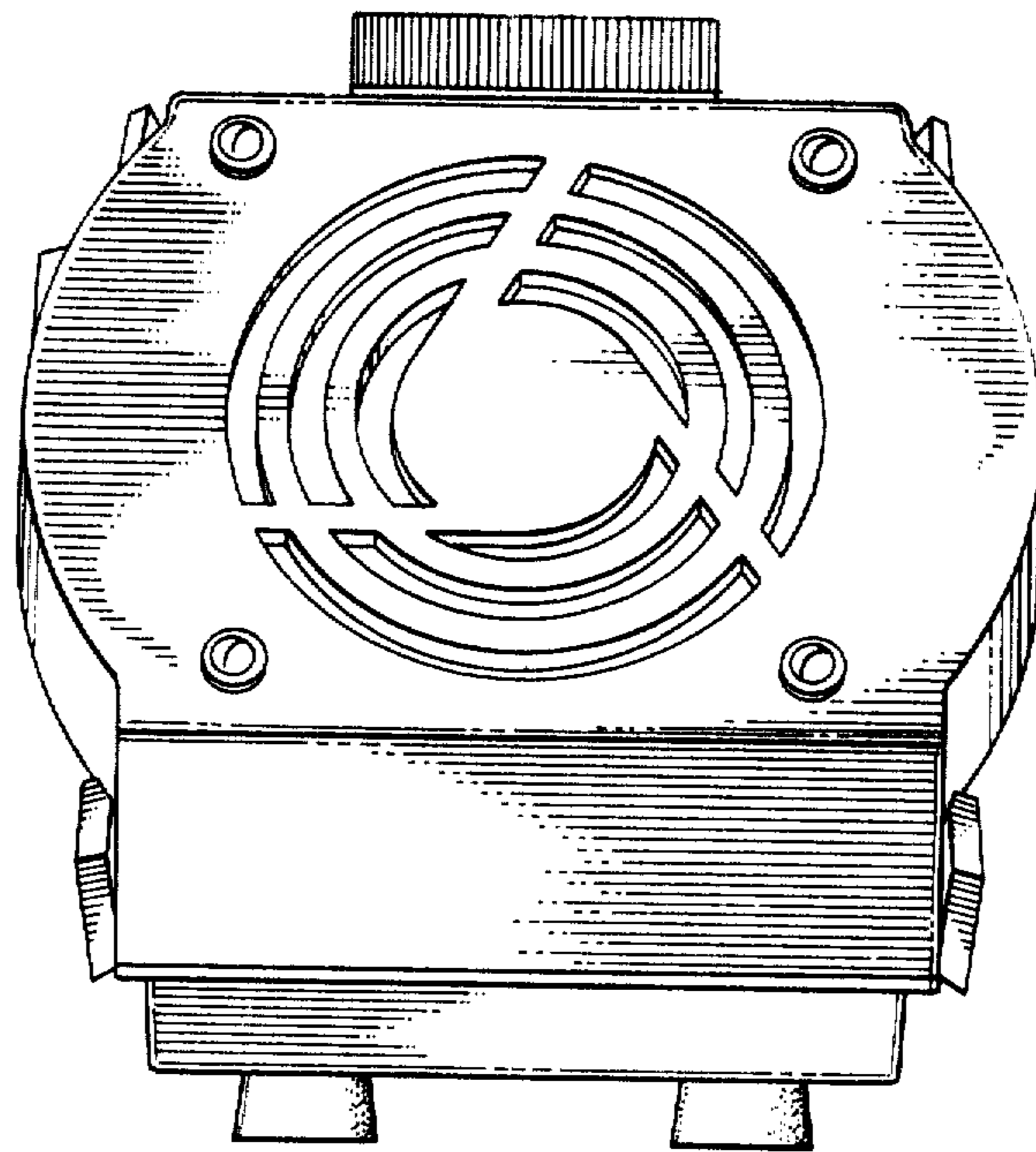
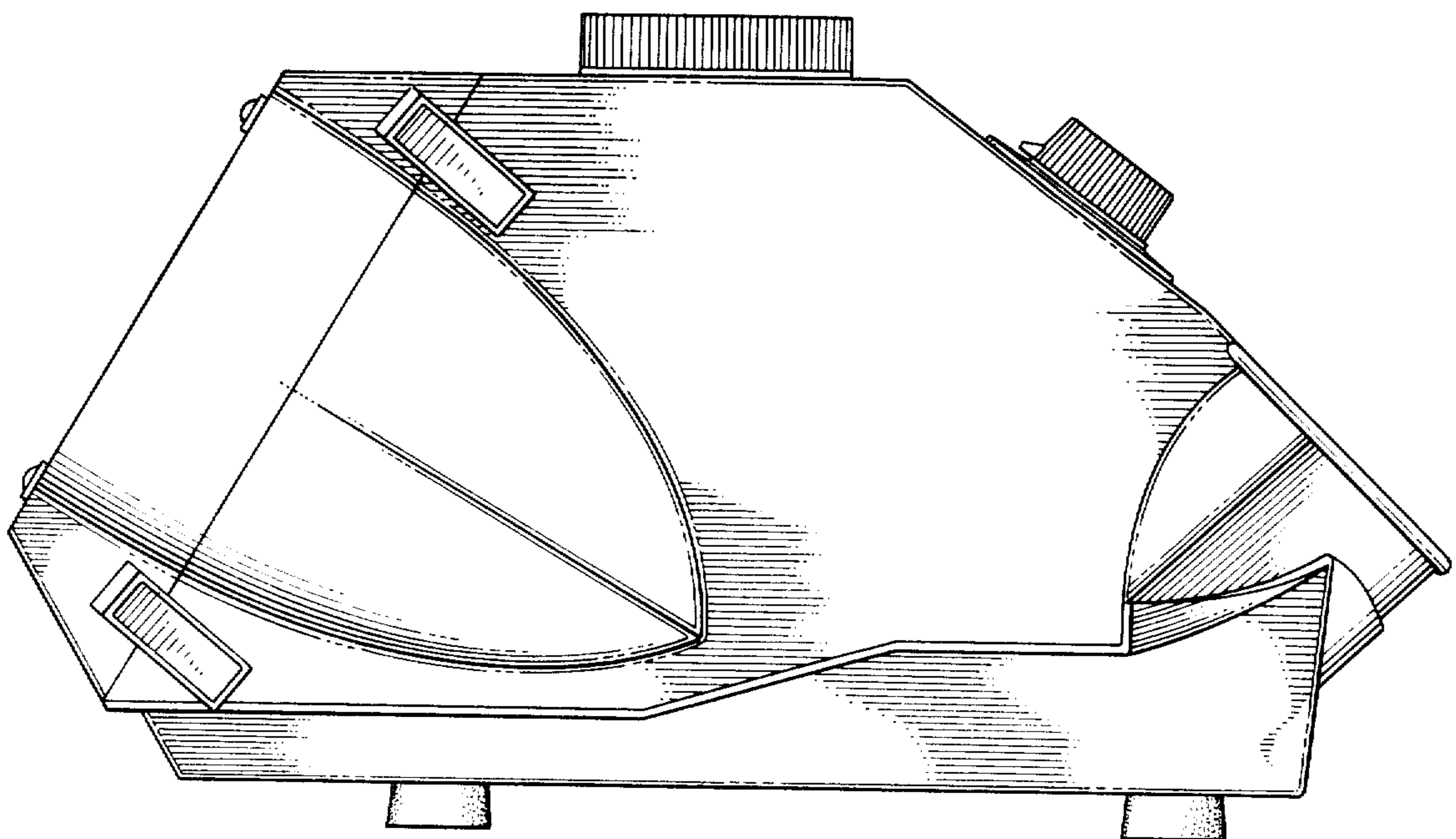


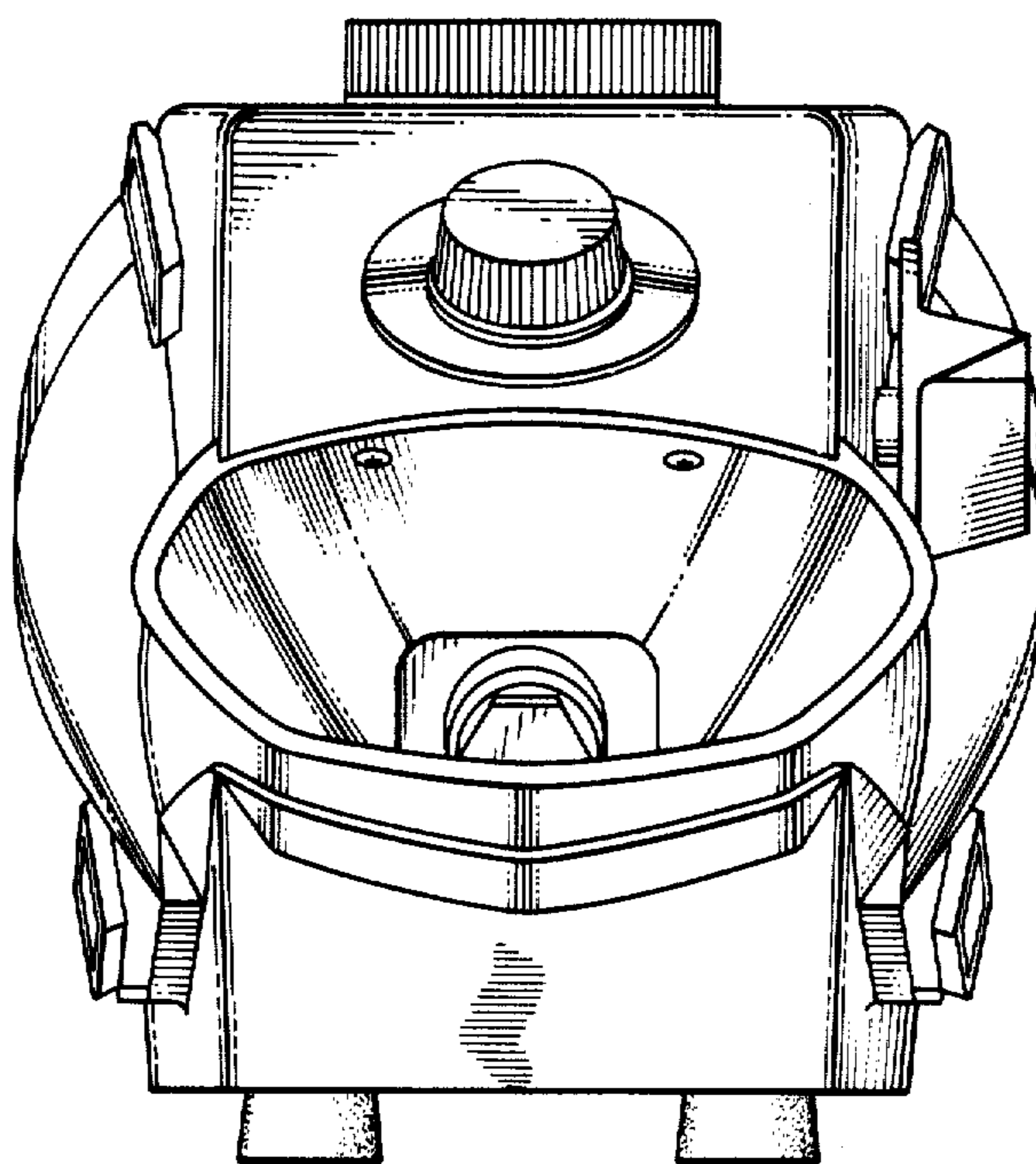
FIG. 2.



*FIG. 3.*



*FIG. 4.*



*FIG. 5.*