

[54] SHOWER OUTLET FITTING

3,231,200 1/1966 Heald 239/310

[75] Inventors: Gary A. Fleischmann, Sheboygan, Wis.; Lawrence C. Peabody, Rindge, N.H.

[73] Assignee: Kohler Co., Kohler, Wis.

[**] Term: 14 Years

[21] Appl. No.: 138,838

[22] Filed: Apr. 10, 1980

[51] Int. Cl. D23-01

[52] U.S. Cl. D23/35

[58] Field of Search D23/34-39; 4/191, 192; 239/456, 460

[56] References Cited

U.S. PATENT DOCUMENTS

D. 101,440	10/1936	Dreyfuss	D23/35
D. 188,644	8/1960	Kohler	D23/35
D. 189,117	10/1960	Kohler	D23/35
2,000,791	5/1935	Schmiedeknecht	4/192
2,285,831	6/1942	Pennypacker	239/460

OTHER PUBLICATIONS

House and Garden, Apr. 1949, p. 154, "Self-Cleaning Shower Head" item.

Kohler Co. Catalog, p. 146, K-7351, K-7371 and K-7397 items.

Primary Examiner—James R. Largen

Attorney, Agent, or Firm—Quarles & Brady

[57] CLAIM

The ornamental design for a shower outlet fitting, as shown and described.

DESCRIPTION

FIG. 1 is a perspective view of a shower outlet fitting showing our new design;

FIG. 2 is a top plan view thereof;

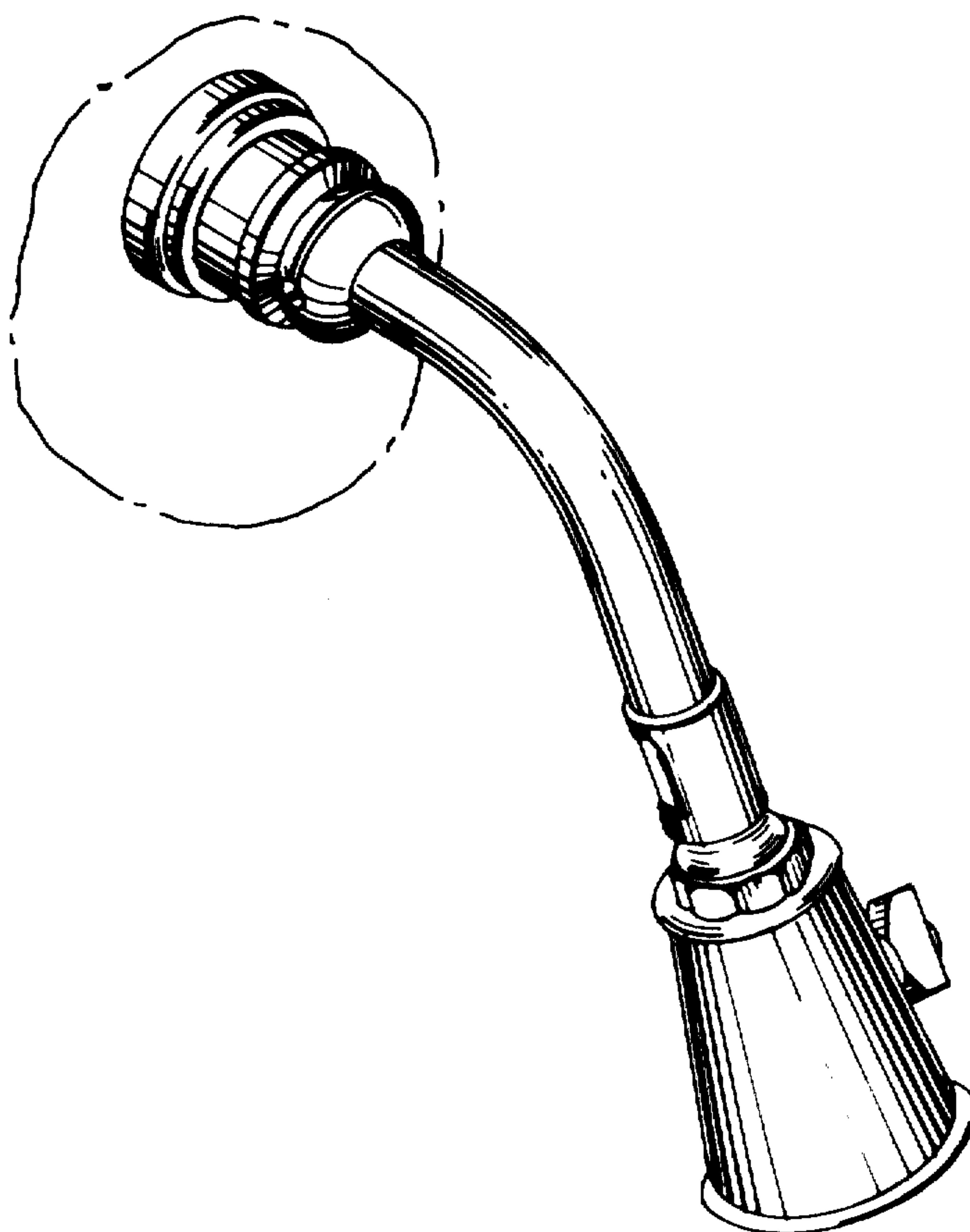
FIG. 3 is a right side elevational view thereof;

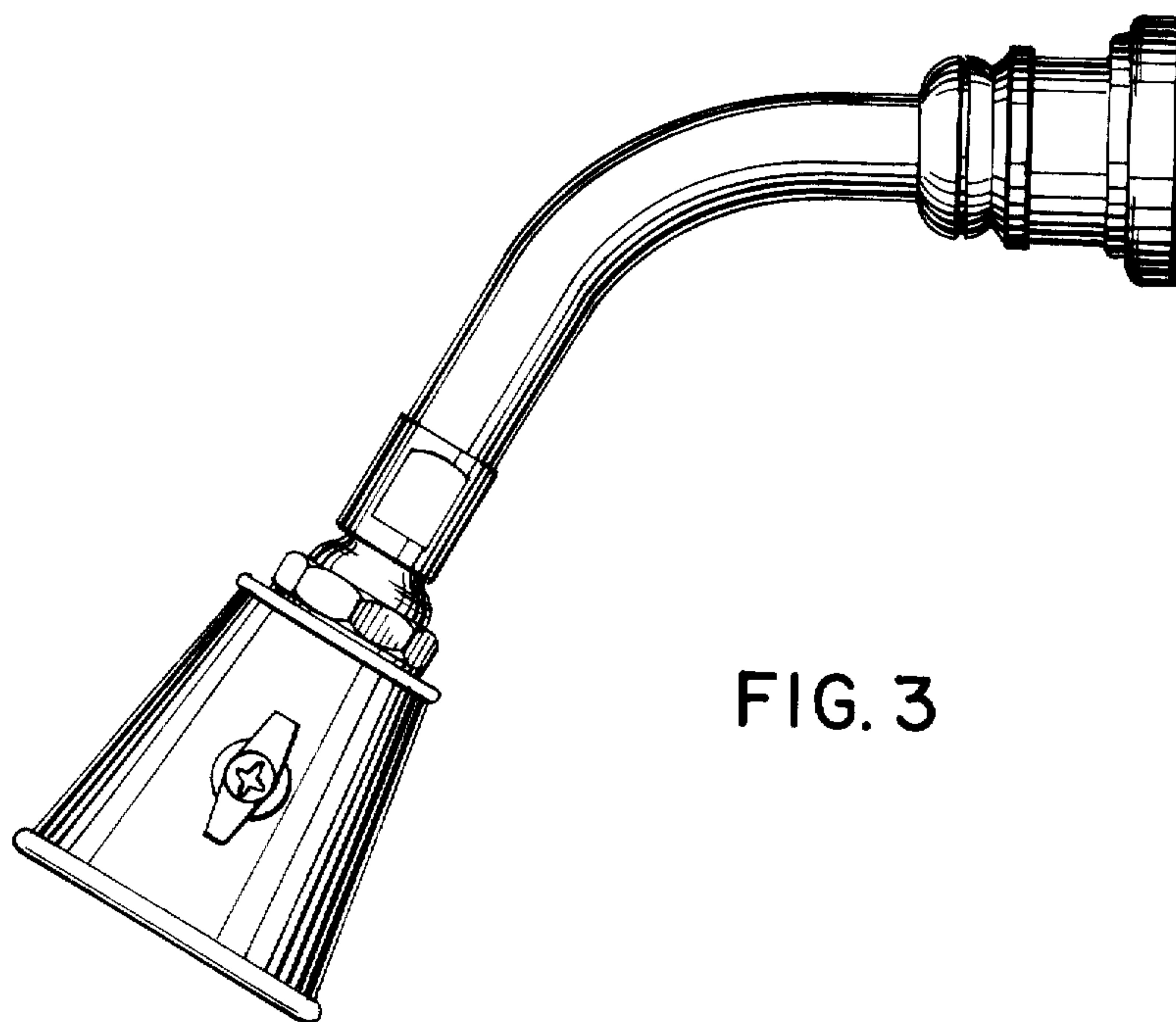
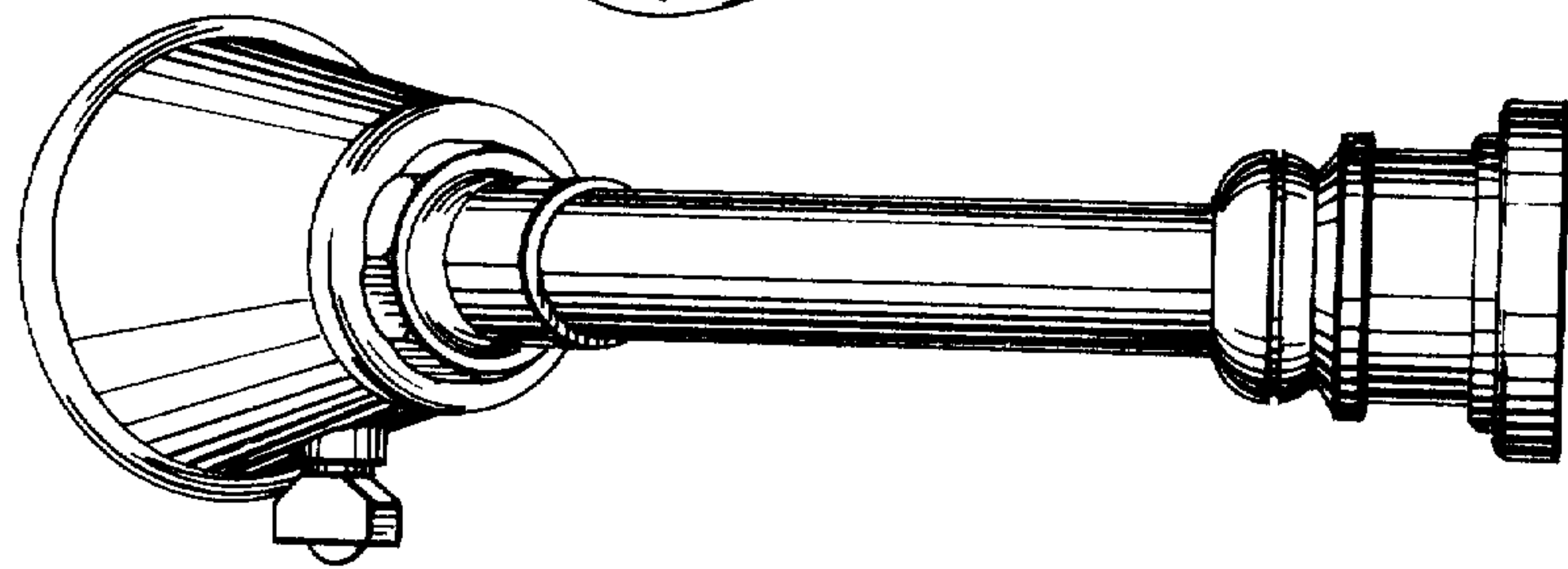
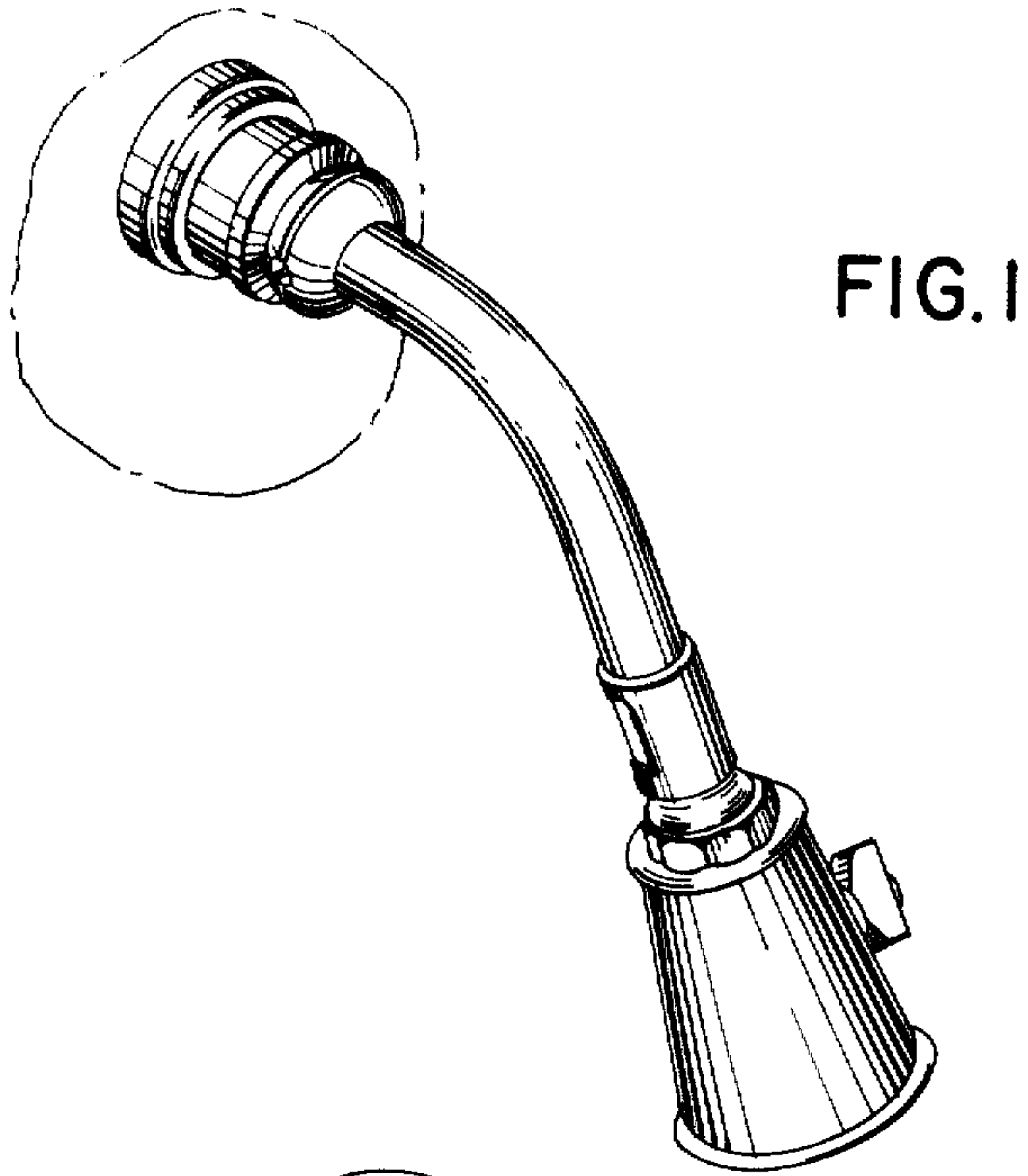
FIG. 4 is a left side elevational view thereof;

FIG. 5 is a front elevational view thereof; and

FIG. 6 is a bottom plan view thereof.

The fragmentary broken line representation of a wall in FIG. 1 is for purposes of illustration only.





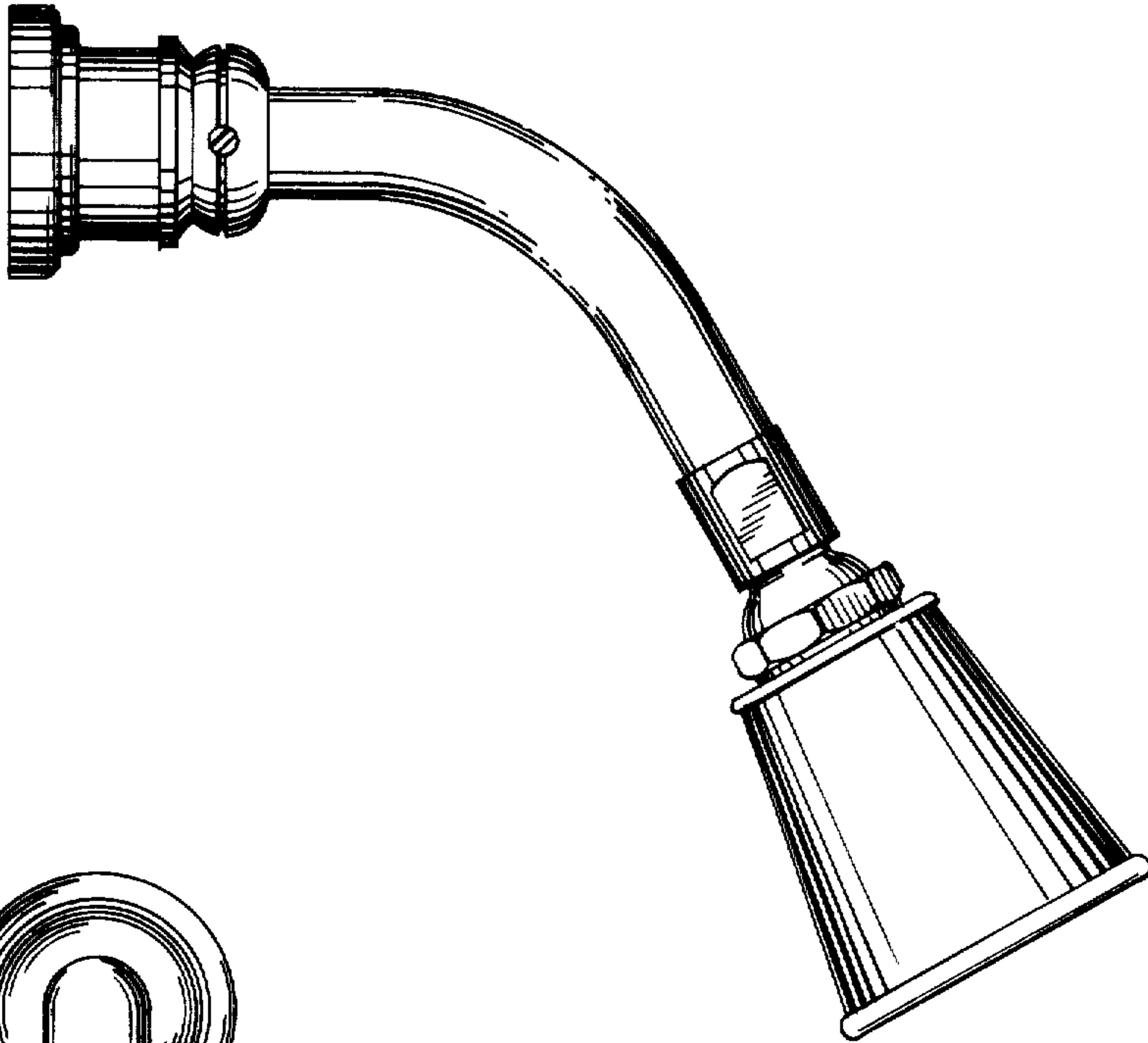


FIG. 4

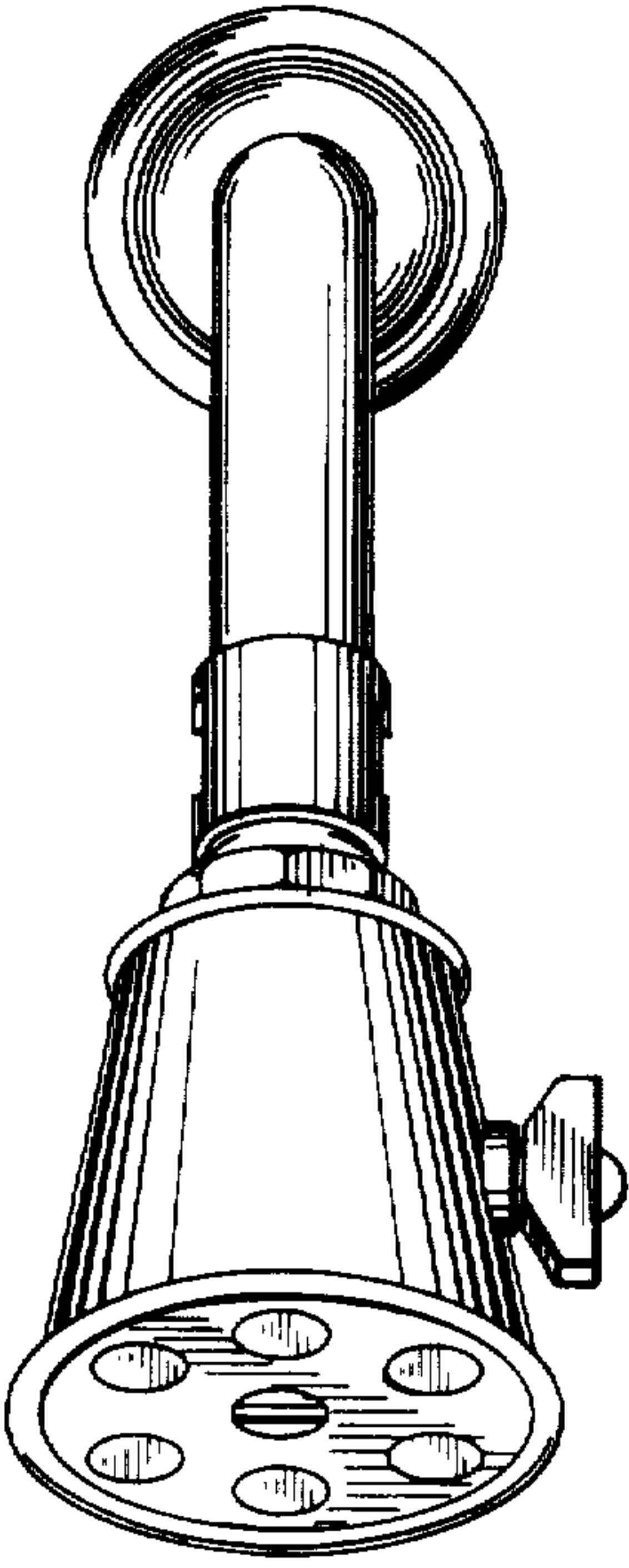


FIG. 5

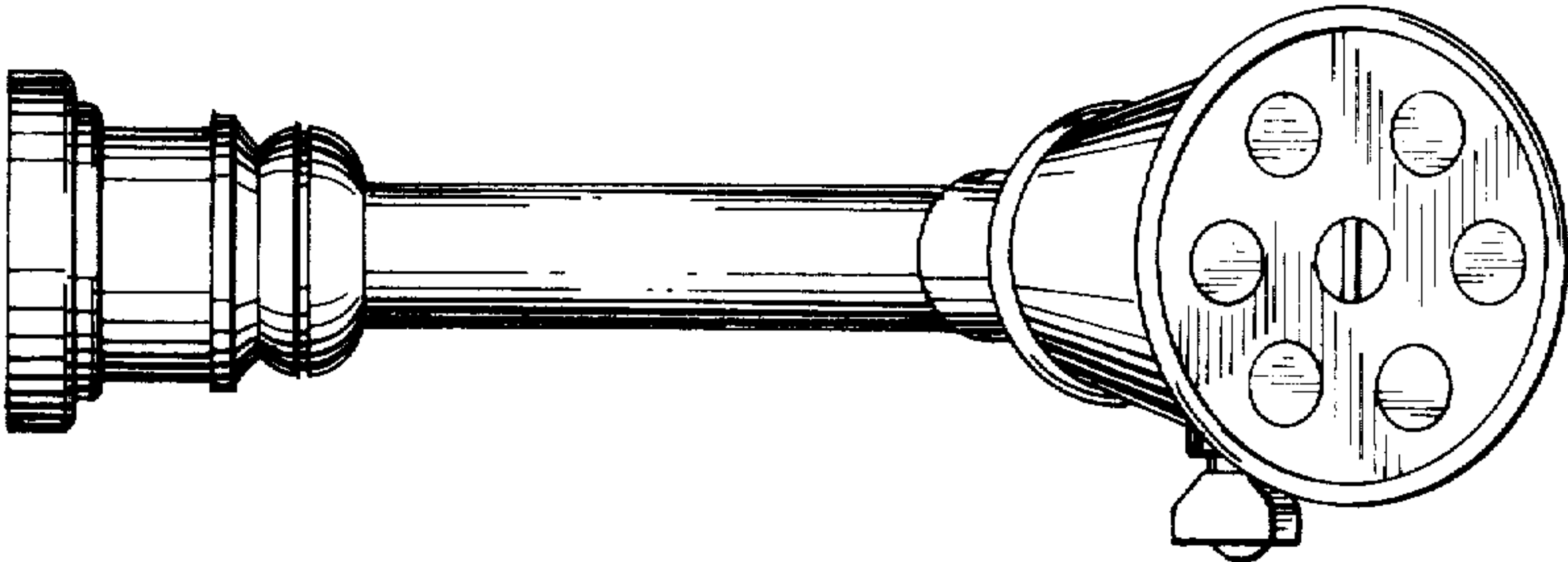


FIG. 6