

[54] **HYDRO-THERAPY NOZZLE FOR HYDRO-THERAPY SPAS**

[76] Inventor: **Gerald W. Moreland**, 11651 Pickett La., Garden Grove, Calif. 92640

[**] Term: **14 Years**

[21] Appl. No.: **91,064**

[22] Filed: **Nov. 5, 1979**

[51] Int. Cl. **D23-01**

[52] U.S. Cl. **D23/34**

[58] Field of Search **D23/34-39; 239/418; 4/492, 540-543, 567-570, 601; 128/66**

[56] **References Cited**

U.S. PATENT DOCUMENTS

D. 244,462	5/1977	Mathis	D23/34
3,391,870	7/1968	Nash	239/456 X
3,540,438	11/1970	Jacuzzi	128/66
3,605,735	9/1971	Soden	128/66
3,677,474	7/1972	Lorenzen	239/587
3,745,994	7/1973	Kane	128/66

3,890,655	6/1975	Mathis	4/542
3,905,358	9/1975	Jacuzzi	128/66
3,946,449	3/1976	Mathis	4/542
3,985,303	10/1976	Steimle	239/587
4,082,091	4/1978	Raab	128/66

Primary Examiner—James R. Largen
Attorney, Agent, or Firm—Knobbe, Martens, Olson, Hubbard & Bear et al.

[57] **CLAIM**

The ornamental design for a hydro-therapy nozzle for hydro-therapy spas, as shown and described.

DESCRIPTION

FIG. 1 is a perspective view taken from the top, front and left side of a hydro-therapy nozzle for hydro-therapy spas showing my new design;

FIG. 2 is a perspective view taken from the bottom, rear and right side thereof; and

FIG. 3 is a cross sectional view taken on line 3—3 in FIG. 1.

The fragmentary broken line representation of a spa wall in FIG. 3 is for purposes of illustration only.

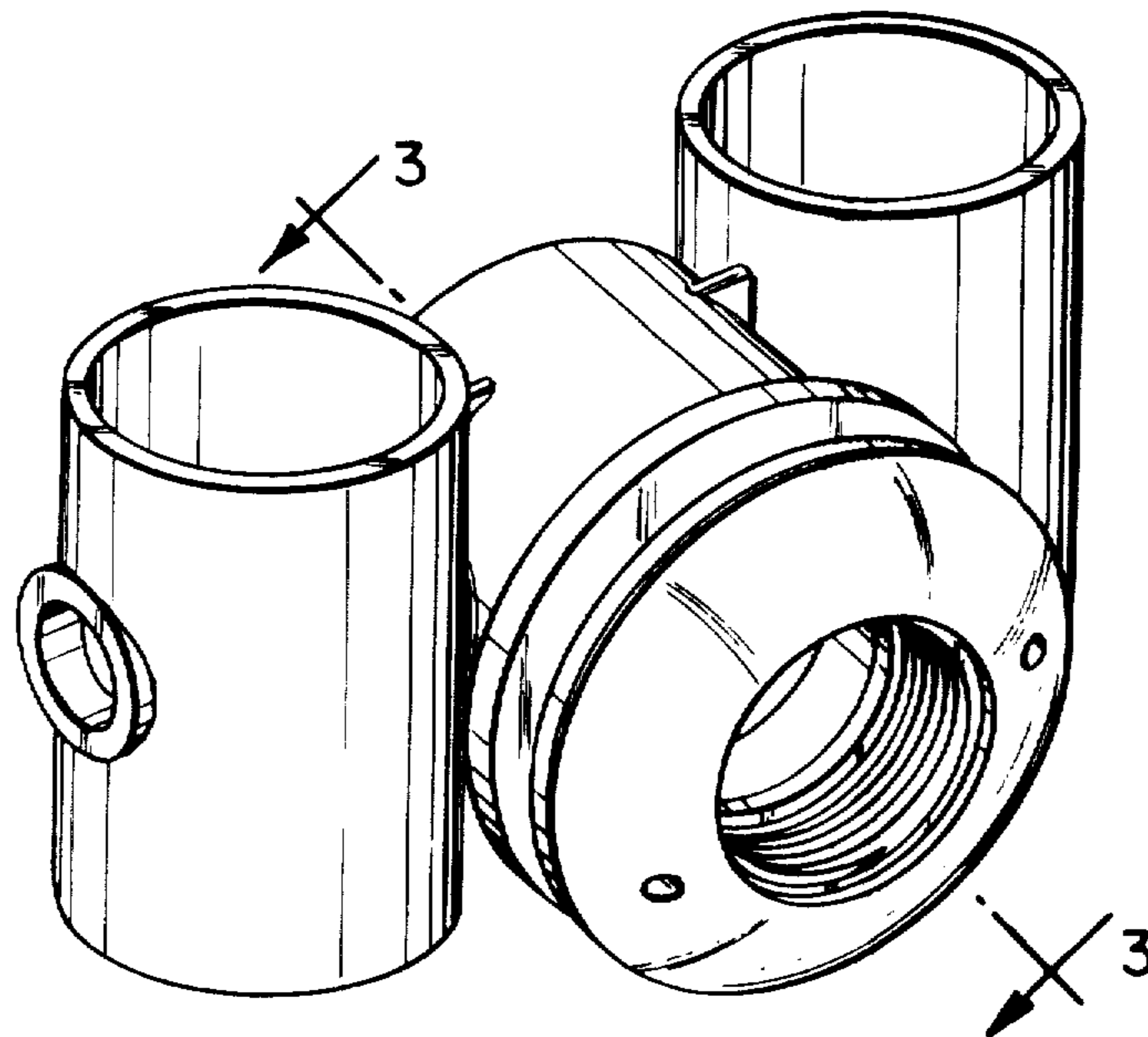


Fig. 1

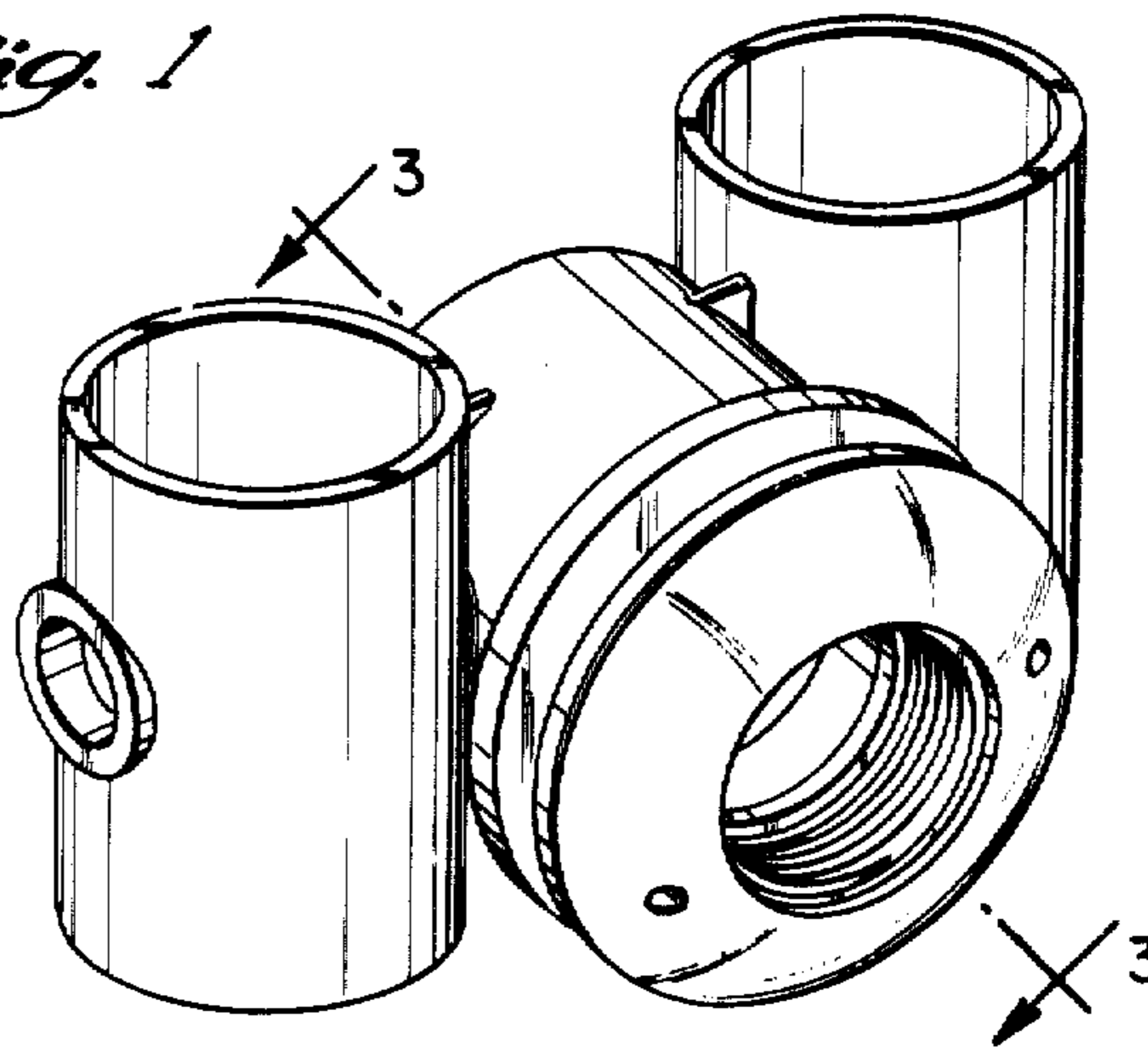


Fig. 2

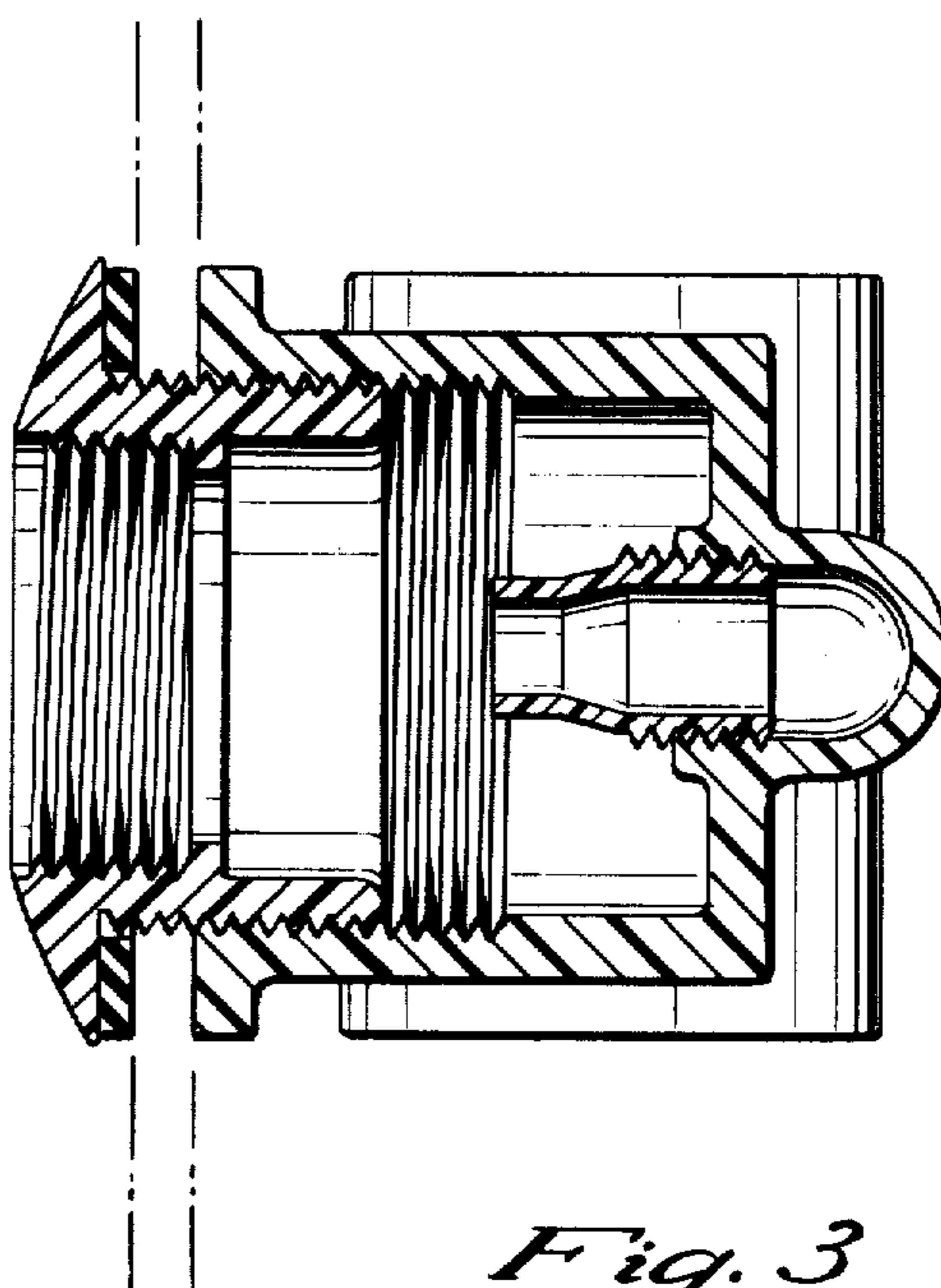
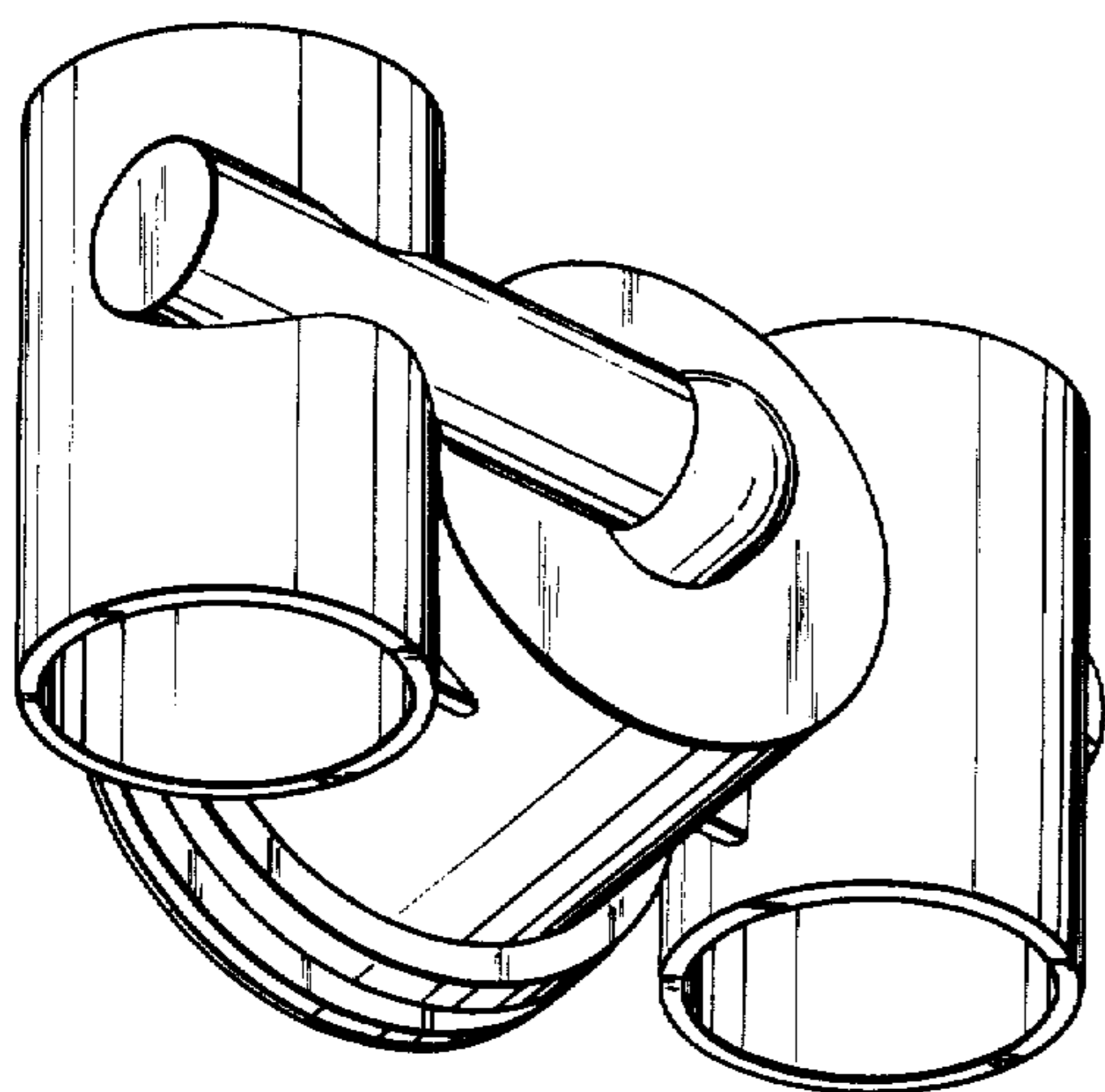


Fig. 3