

[54] FISHING REEL

[75] Inventors: Masakazu Sakamoto; Tetsuyuki Doi,  
both of Fukuyama, Japan

[73] Assignee: Ryobi Ltd., Fuchu, Japan

[\*\*] Term: 14 Years

[21] Appl. No.: 88,213

[22] Filed: Oct. 24, 1979

[30] Foreign Application Priority Data

Apr. 25, 1979 [JP] Japan ..... 54-17206

[51] Int. Cl. .... D22-05

[52] U.S. Cl. .... D22/25

[58] Field of Search ..... D22/25; 242/84.1 R,  
242/84.1 J, 84.2 R, 84.2 H

[56]

References Cited

U.S. PATENT DOCUMENTS

D. 253,838 1/1980 Sakamoto et al. .... D22/25  
D. 253,840 1/1980 Hiraishi ..... D22/25

Primary Examiner—A. Hugo Word  
Attorney, Agent, or Firm—Sughrue, Mion, Zinn,  
Macpeak and Seas

[57]

CLAIM

The ornamental design for a fishing reel, as shown.

DESCRIPTION

FIG. 1 is a top plan view of a fishing reel showing our new design;

FIG. 2 is a front elevational view thereof;

FIG. 3 is a right side elevational view thereof;

FIG. 4 is a rear elevational view thereof;

FIG. 5 is a left side elevational view thereof; and

FIG. 6 is a bottom plan view thereof.

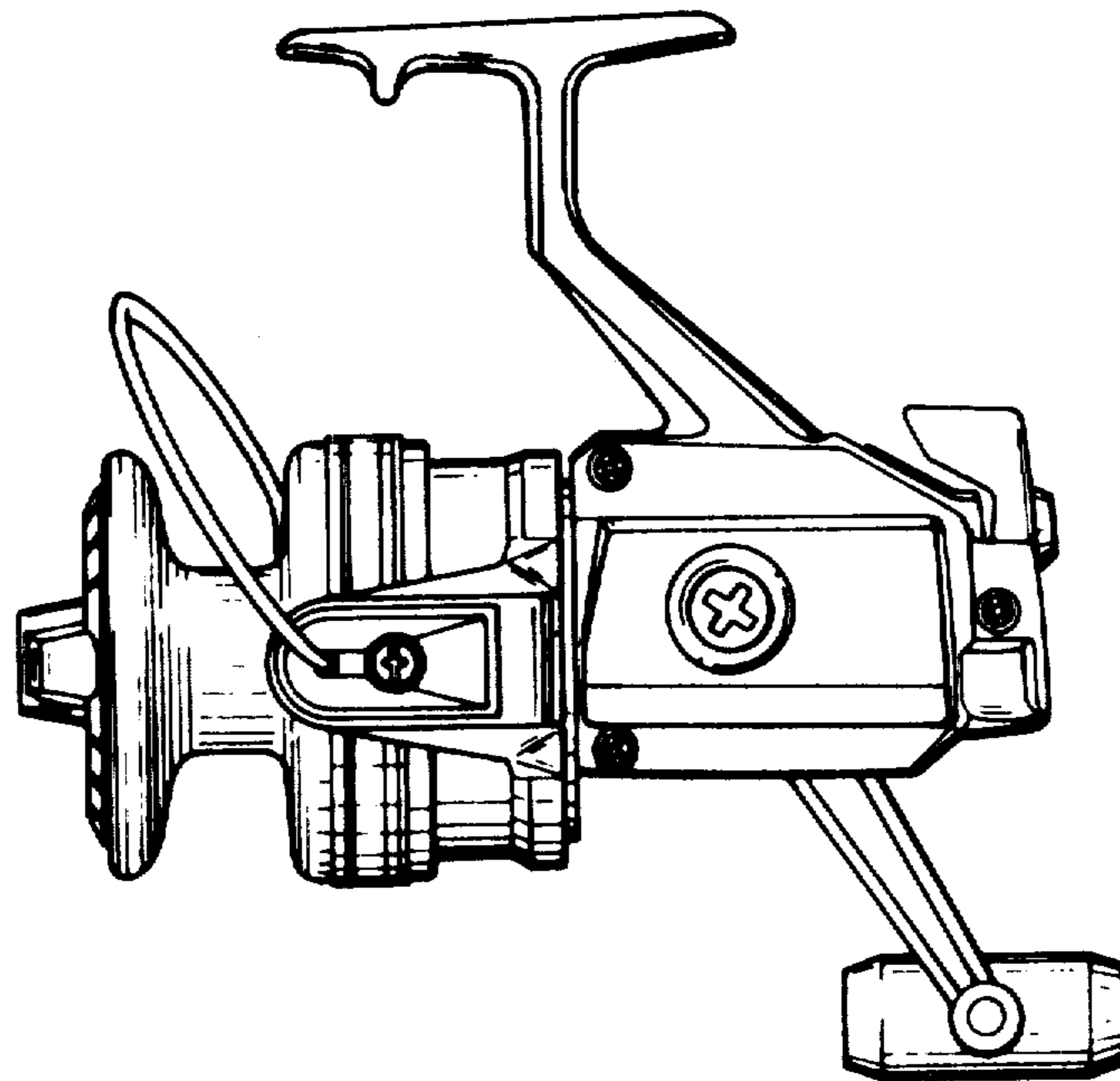


FIG. 1

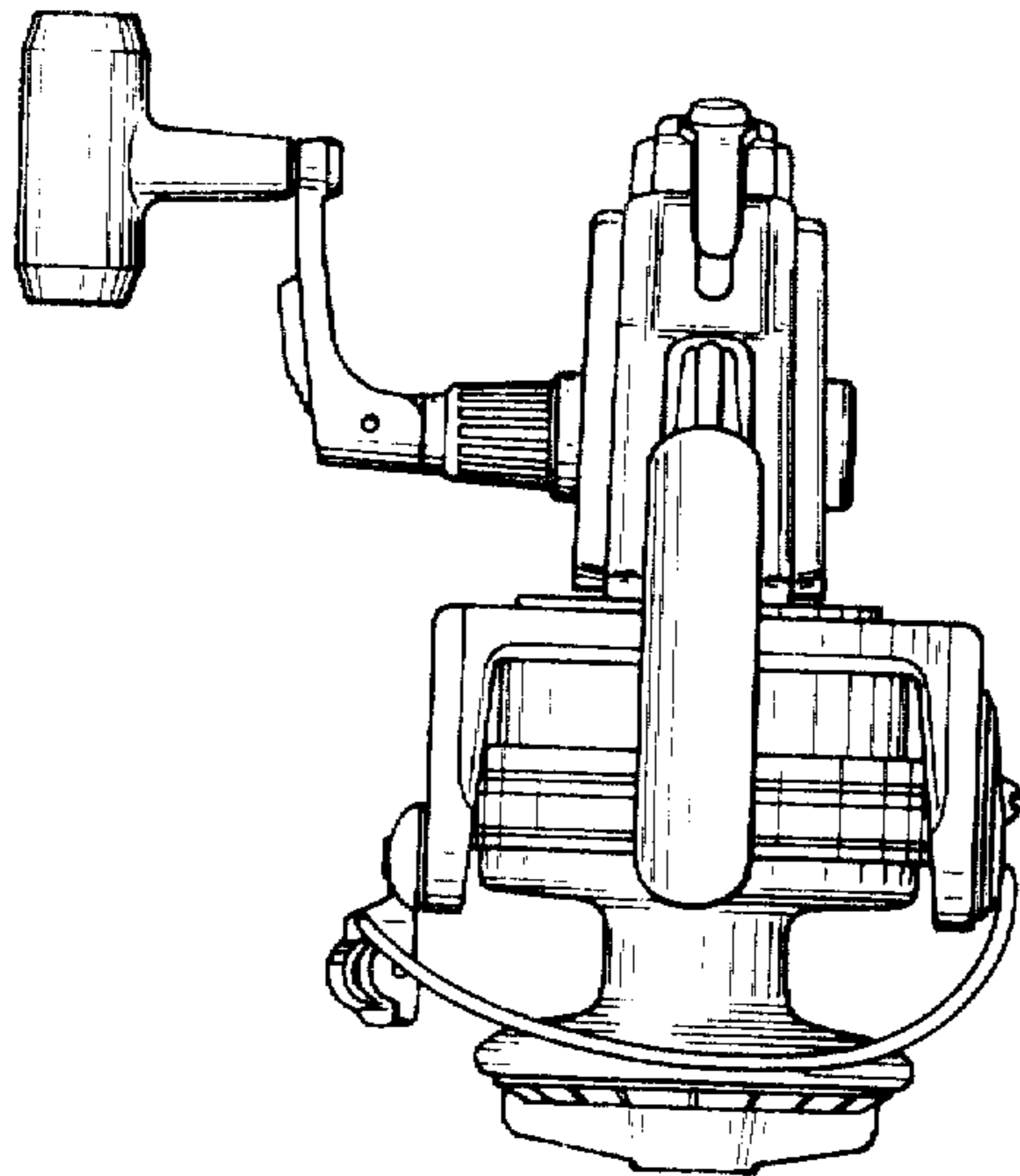


FIG. 2

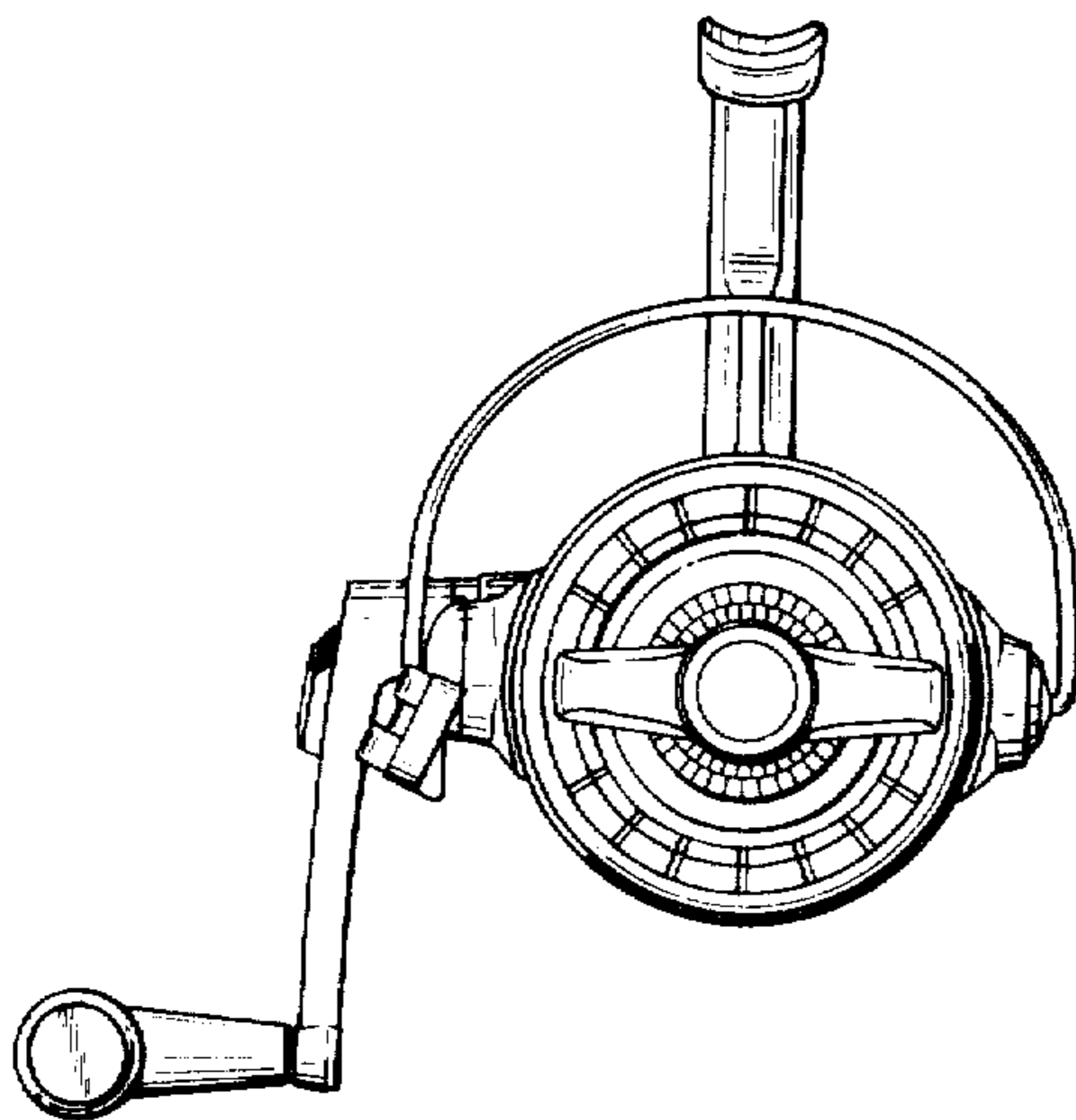
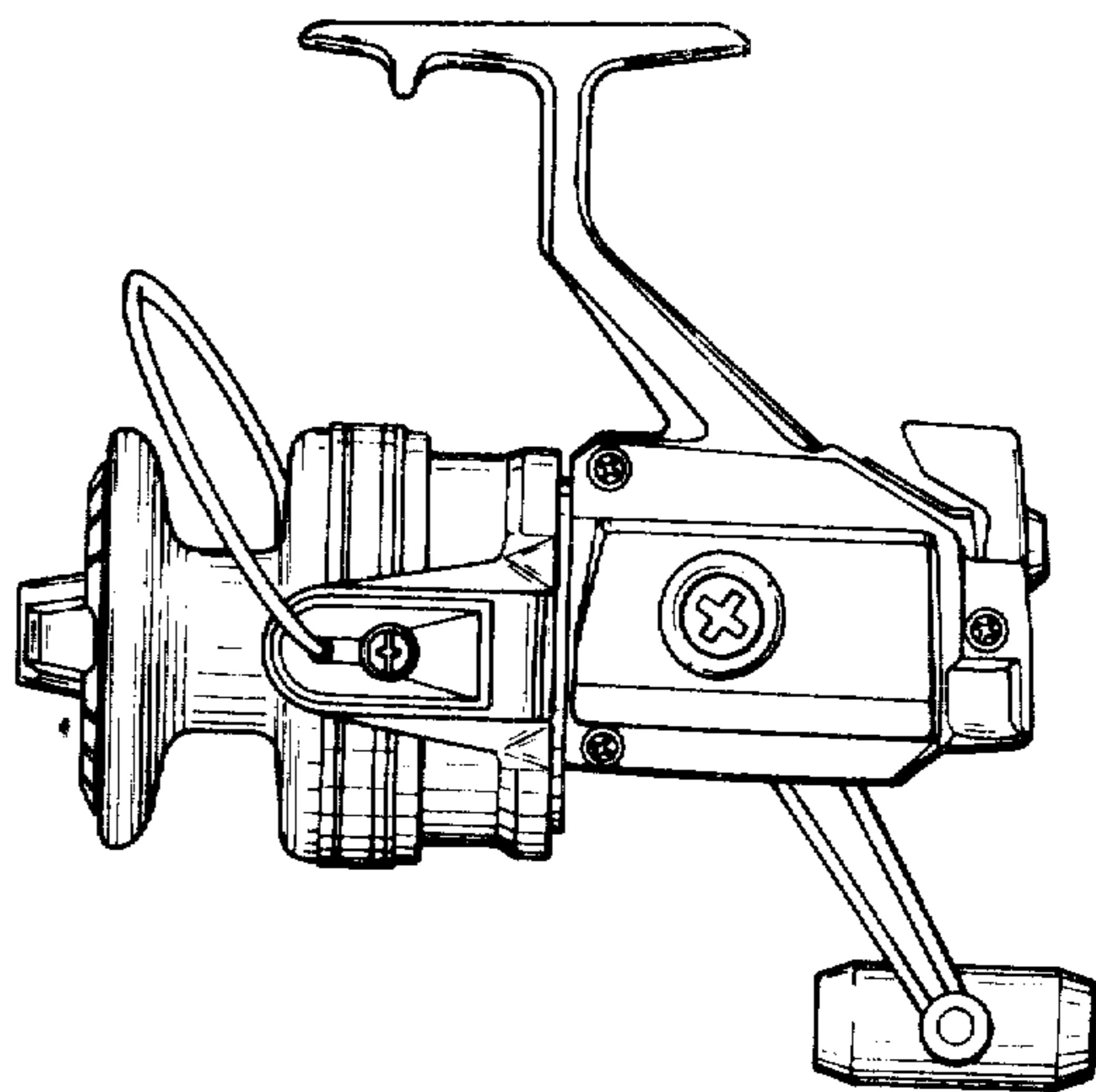
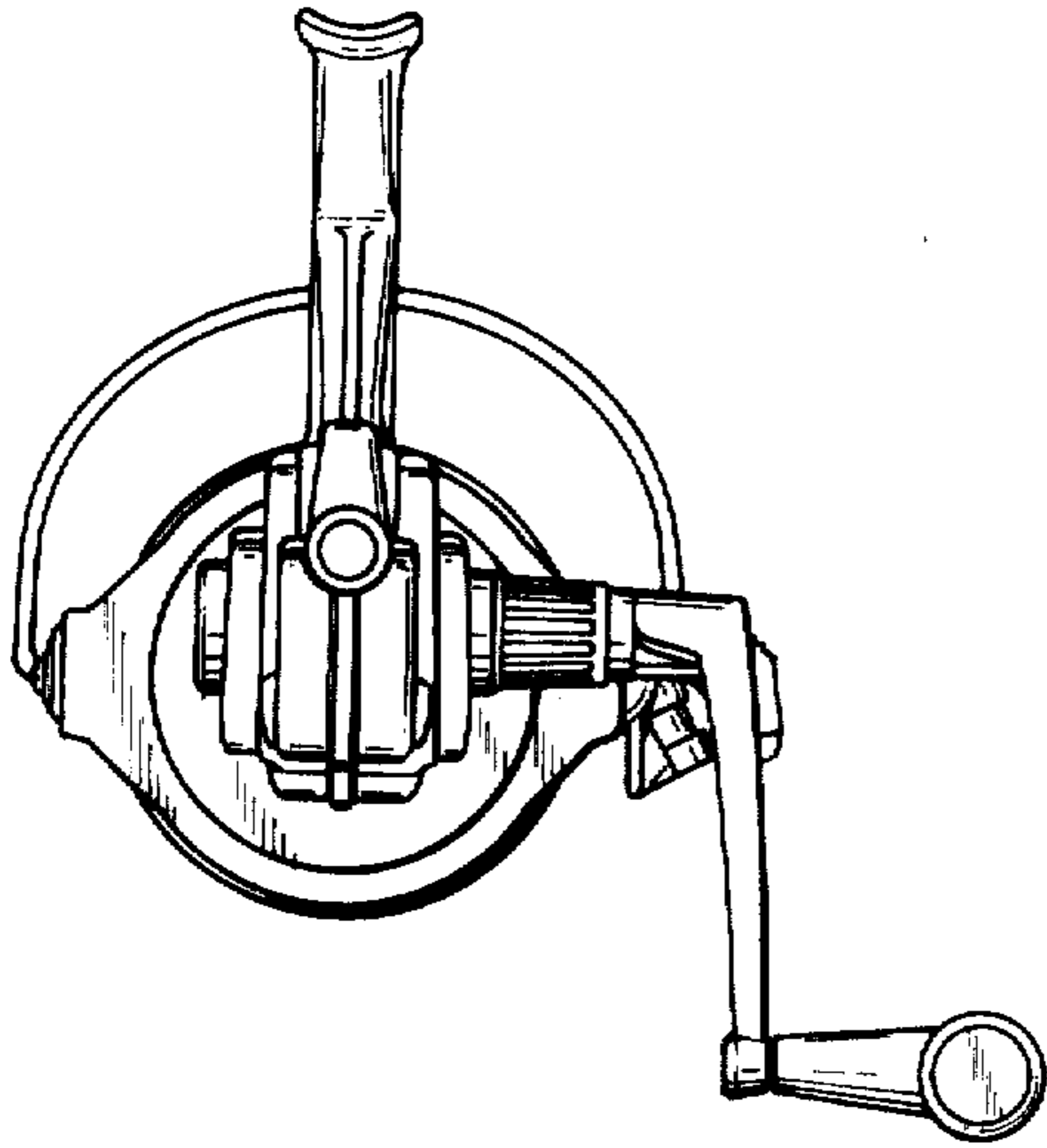


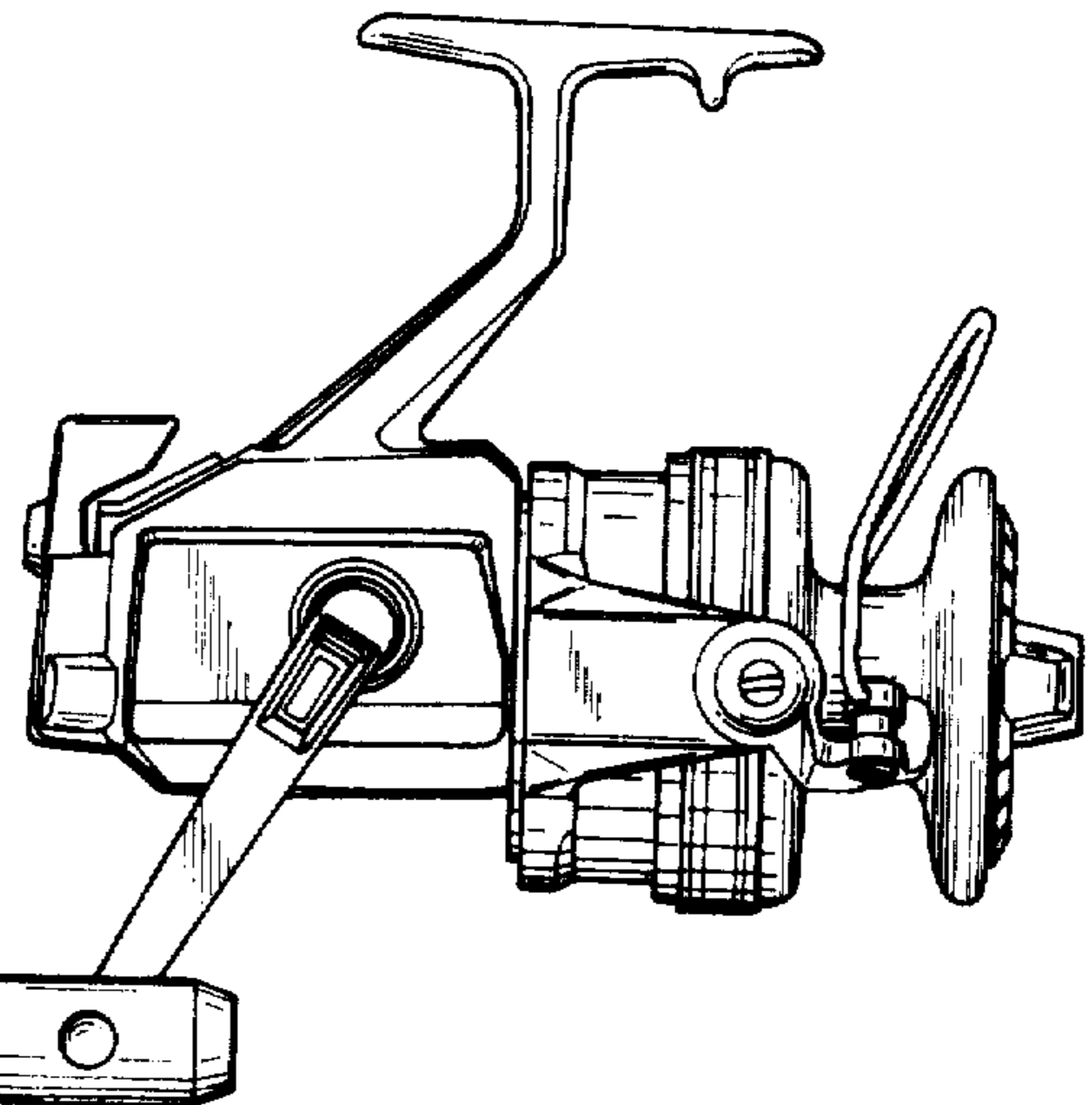
FIG. 3



*FIG. 4*



*FIG. 5*



*FIG. 6*

