

[54] TOY TURTLE FIGURE

[75] Inventor: Toshinori Tabata, Tokyo, Japan
[73] Assignee: Tomy Kogyo Co., Inc., Tokyo, Japan
[**] Term: 14 Years
[21] Appl. No.: 74,164
[22] Filed: Sep. 10, 1979

[30] Foreign Application Priority Data
Mar. 16, 1979 [JP] Japan 54-10368

[51] Int. Cl. D21-01
[52] U.S. Cl. D21/150; D21/157
[58] Field of Search D21/157, 150; 46/98,
46/103, 123, 117, 118, 92

[56] References Cited
U.S. PATENT DOCUMENTS
D. 227,138 6/1973 Snyder D21/157
D. 237,520 11/1975 Satten D21/157

OTHER PUBLICATIONS

Hong Kong Toys, 1976, p. 20, upper left, Tommy the Turtle.
Fao Schwarz, Fall/Winter 1975-1976 cat., p. 12, item F, Musical Turtle.
Tomy Spring Cat., 1978, p. 4, lower right, turtle figure.
Primary Examiner—Melvin B. Feifer
Attorney, Agent, or Firm—K. H. Boswell; Edward J. O'Brian

[57] CLAIM
The ornamental design for a toy turtle figure, substantially as shown and described.

DESCRIPTION

FIG. 1 is an oblique view of the toy turtle figure showing my new design;
FIG. 2 is a side elevational view of the right side of the figurine shown in FIG. 1, the left side being substantially the mirror image of the right side;
FIG. 3 is a rear elevational view of the toy figurine shown in FIG. 1, and
FIG. 4 is a bottom plan view of the toy figurine shown in FIG. 1.

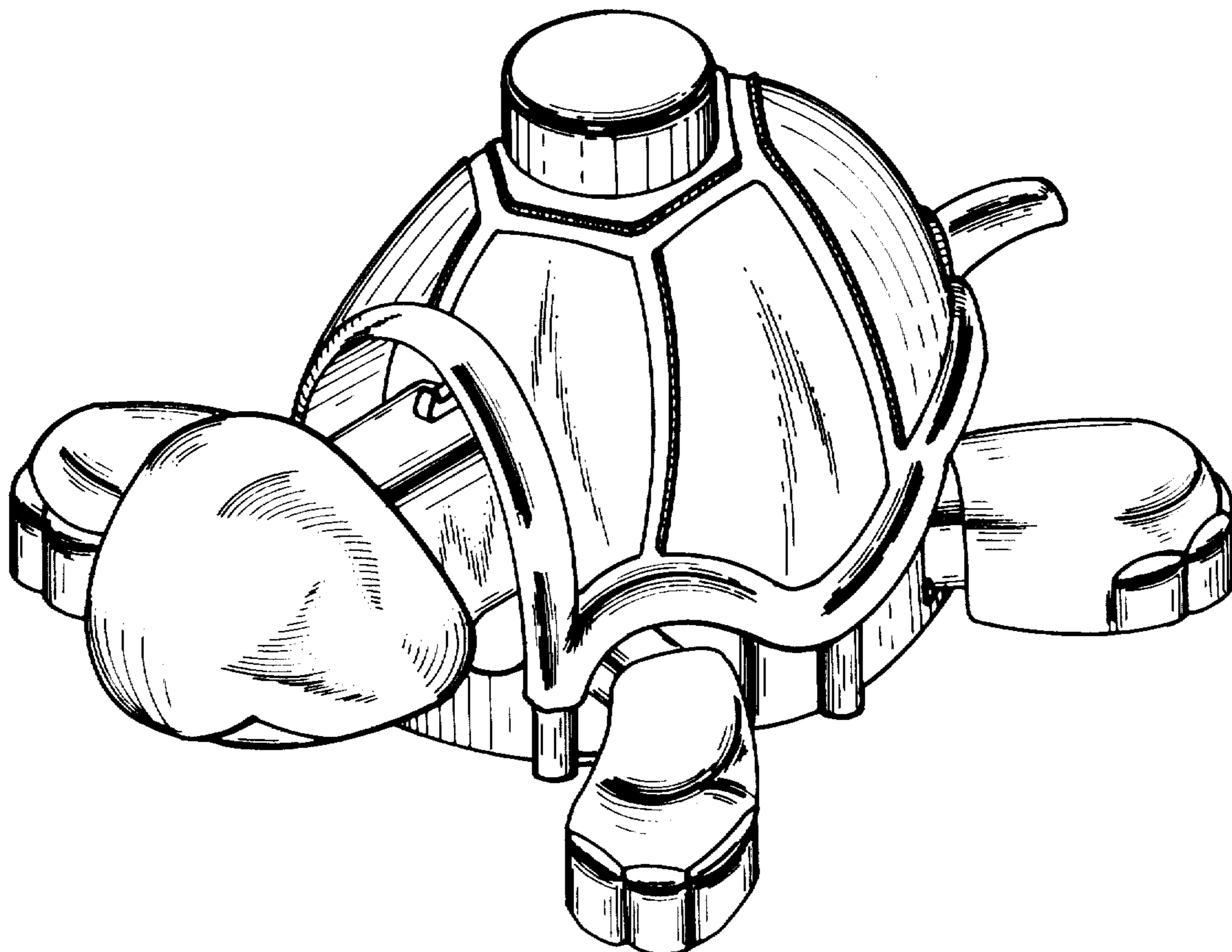


Fig. 1

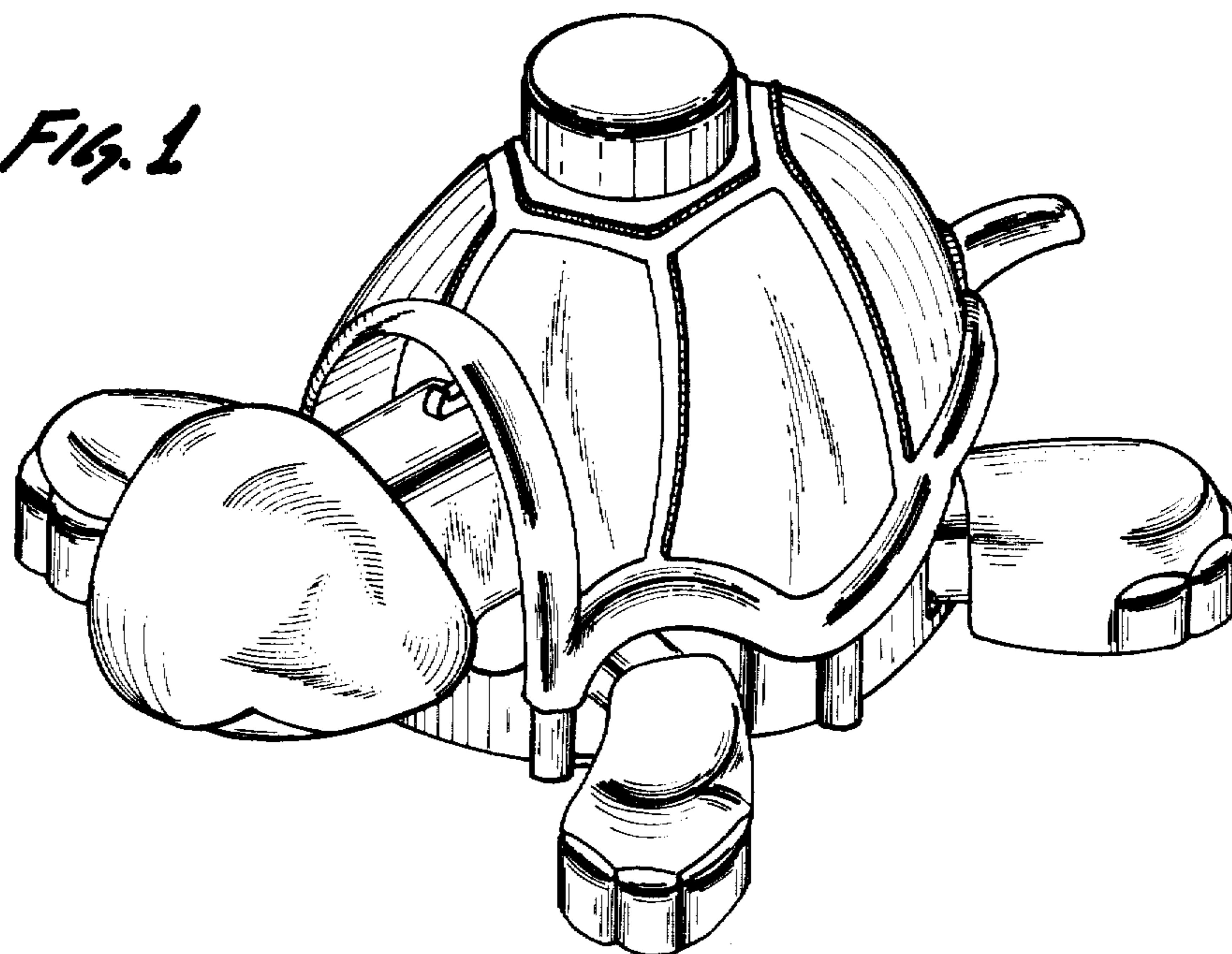


Fig. 2

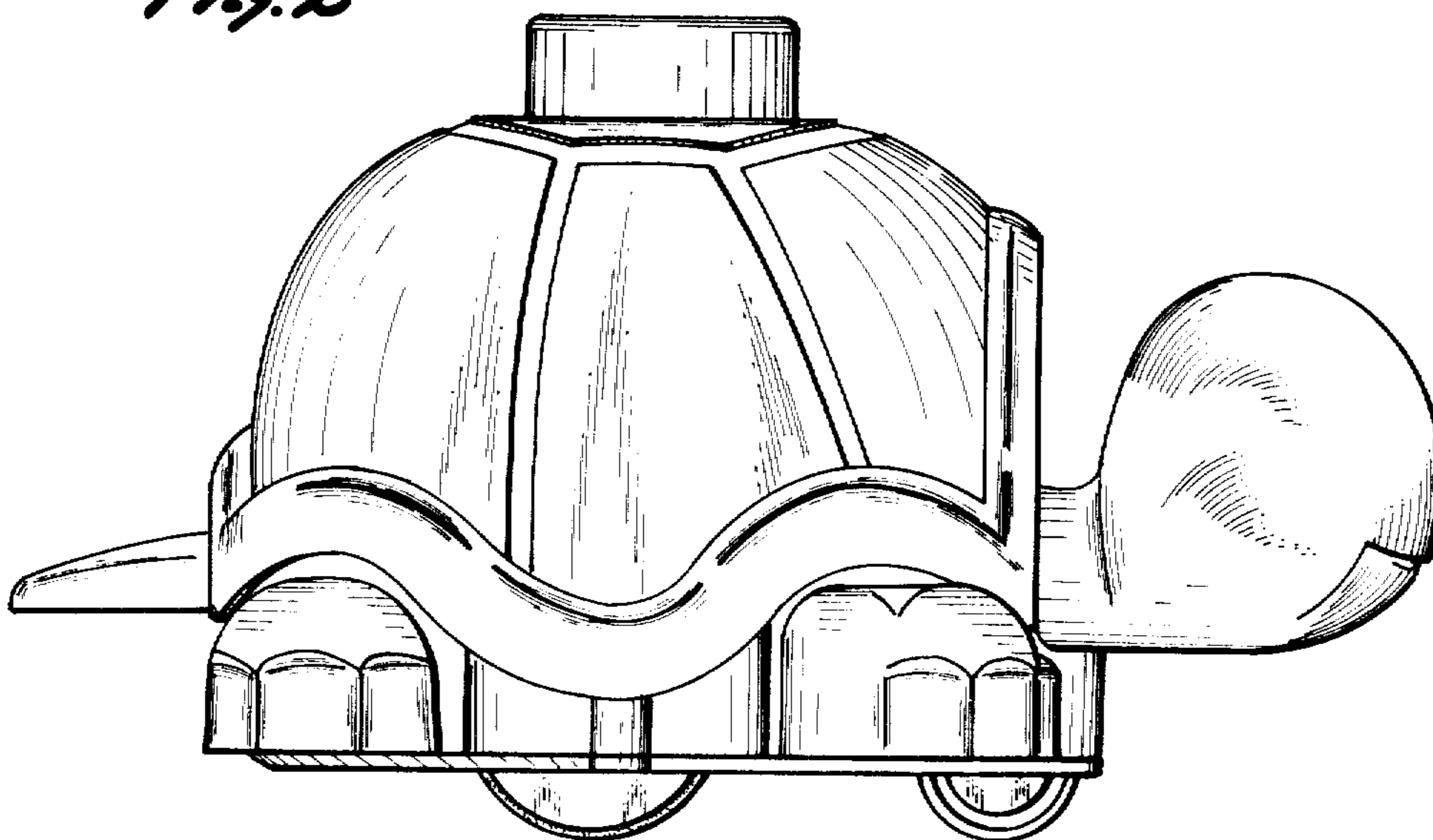


FIG. 3

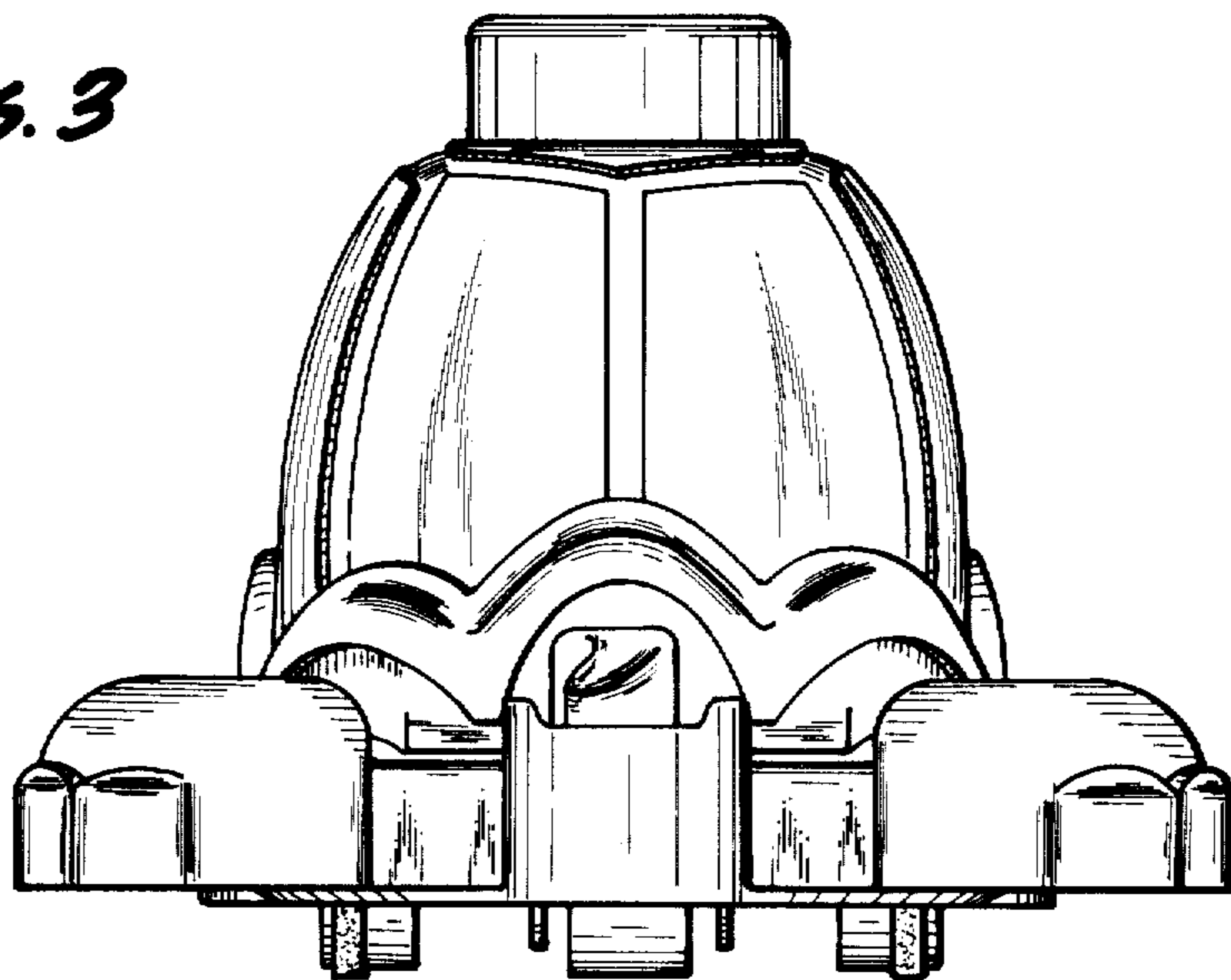


FIG. 4

