

[54] SIMULATIVE KITE

[76] Inventor: Yasuo Tanaka, 420 Oaza Murata, Washima-gun, Santo-gun, Niigata-ken, Japan

[\*\*] Term: 14 Years

[21] Appl. No.: 8,332

[22] Filed: Jan. 31, 1979

[51] Int. Cl. .... D21-01

[52] U.S. Cl. .... D21/83

[58] Field of Search ..... D21/82, 83, 87, 88, D21/89, 91, 49; 244/153 R, 153 A, 154-155; 46/74 R, 79, 80, 81

[56] References Cited

U.S. PATENT DOCUMENTS

2,504,567 4/1950 Morgan ..... 46/74 R

FOREIGN PATENT DOCUMENTS

424366 5/1911 France ..... 244/153

OTHER PUBLICATIONS

*Field Guide to Birds*; Peterson, R. T., ©1947, p. 123, Iceland Gull, p. 163, Tree Swallow.

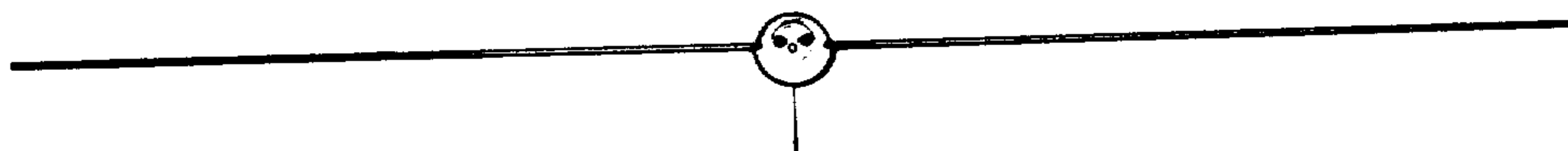
*Primary Examiner*—Charles A. Rademaker  
*Attorney, Agent, or Firm*—Wenderoth, Lind & Ponick

[57] CLAIM

The ornamental design for a simulative kite, substantially as shown.

DESCRIPTION

FIG. 1 is a front elevational view of a simulative kite showing my new design;  
FIG. 2 is a rear elevational view thereof;  
FIG. 3 is a plan view thereof;  
FIG. 4 is a bottom plan view thereof;  
FIG. 5 is a right side elevational view thereof; and  
FIG. 6 is a side perspective view of the body of the simulative kite.



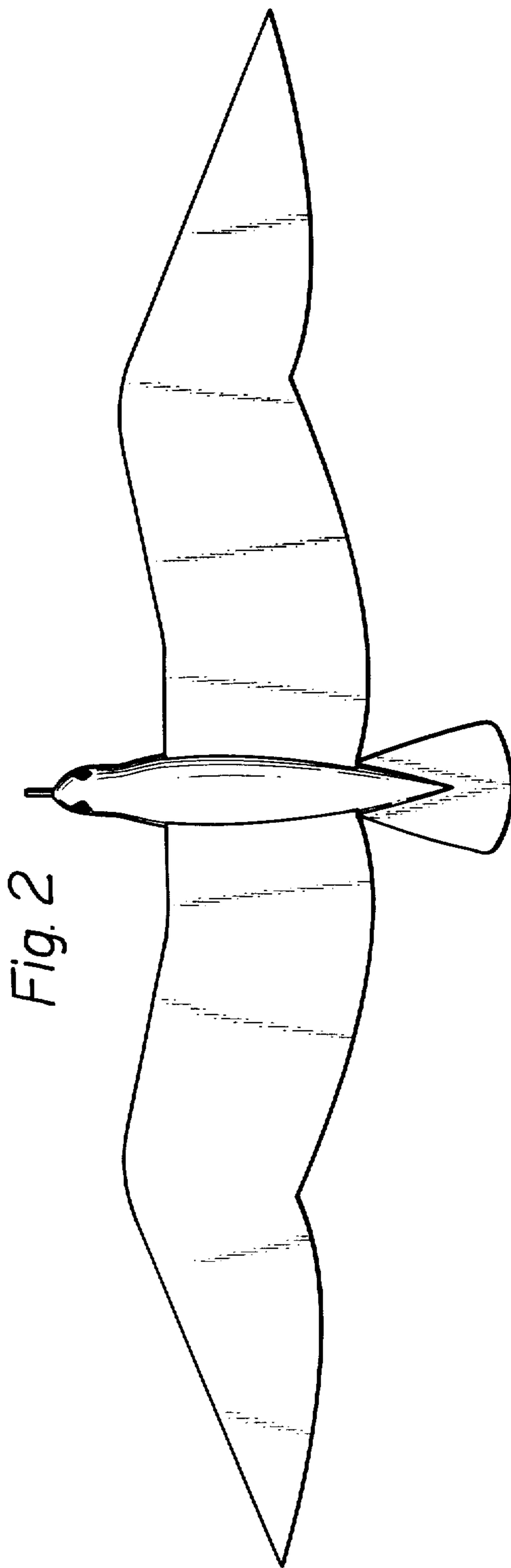
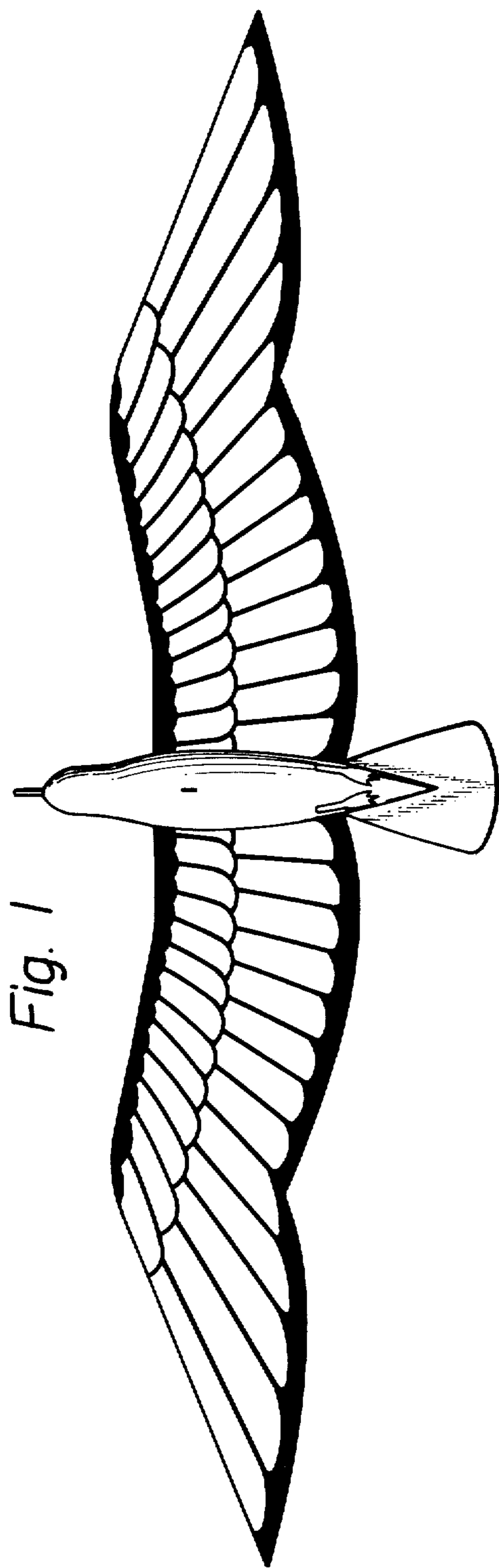


Fig. 3

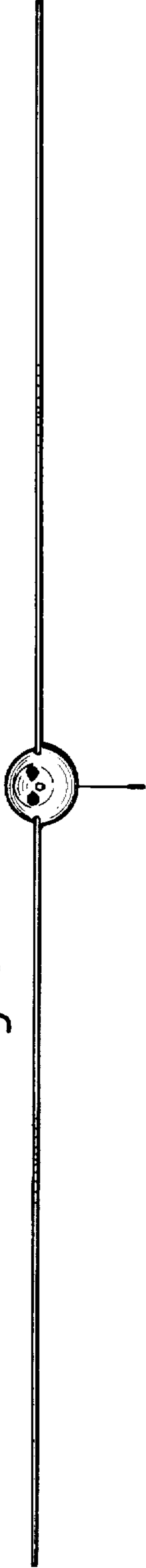


Fig. 4

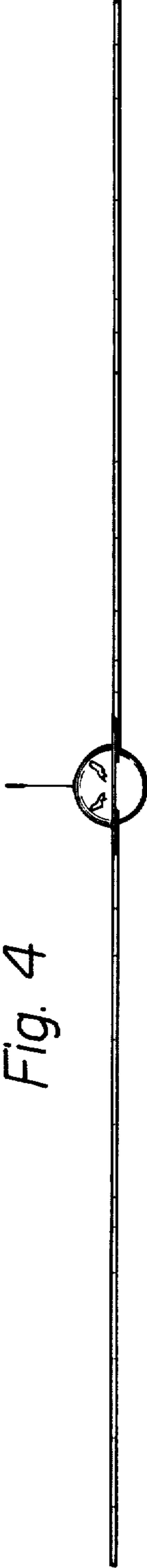
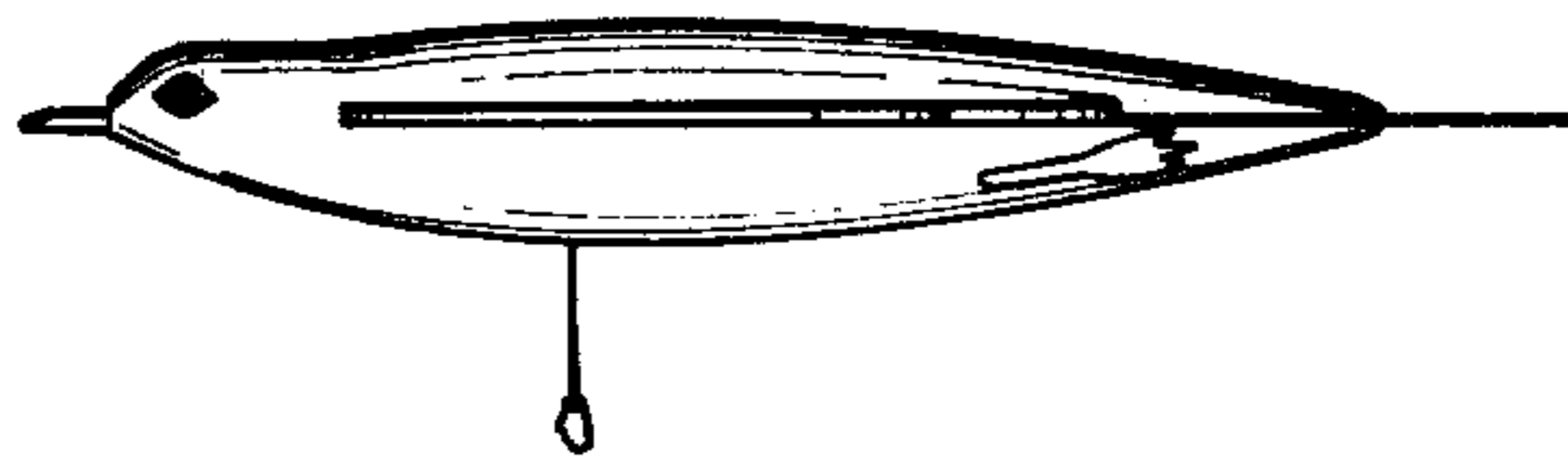


Fig. 5



*Fig. 6*

