

[54] SELF-STANDING FLOOR SIGN

[56]

References Cited

U.S. PATENT DOCUMENTS

[75] Inventors: Dale T. Maza, Stephenson; Glen E. Tomblin, Winchester; Harold Ruckman, Stephenson, all of Va.

381,766	4/1888	Deuther	40/611 X
892,449	7/1908	Robert	40/617
2,062,094	11/1936	Kip	40/618
2,961,786	11/1960	Lowmaster	40/606

[73] Assignee: Rubbermaid Commercial Products Inc., Winchester, Va.

Primary Examiner—Catherine E. Kemper
Attorney, Agent, or Firm—Hamilton, Renner & Kenner

[**] Term: 14 Years

[57] CLAIM

The ornamental design for a self-standing floor sign, as shown and described.

[21] Appl. No.: 85,858

DESCRIPTION

[22] Filed: Oct. 18, 1979

FIG. 1 is a front perspective view of a self-standing floor sign showing our new design.

FIG. 2 is a rear perspective view thereof.

FIG. 3 is a front elevational view of the front panel.

FIG. 4 is a side elevational view showing the front and rear panels folded together.

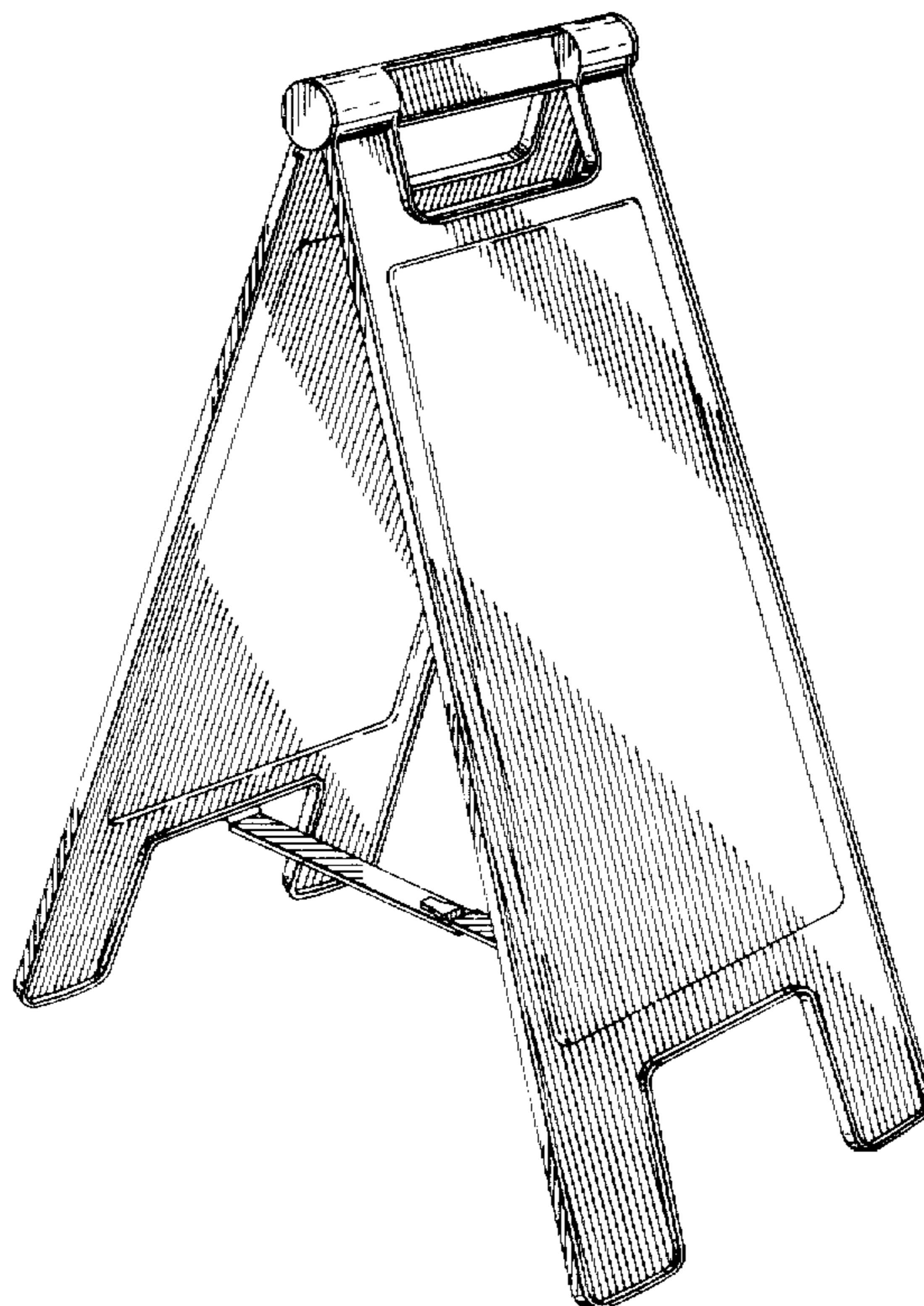
[51] Int. Cl. D20-03

[52] U.S. Cl. D20/10

[58] Field of Search D20/10, 12, 17, 19,
D20/39, 40, 41, 42; 40/584, 586, 606, 611, 617,
618

FIG. 5 is an enlarged fragmentary sectional view on line 5-5 of FIG. 3.

FIG. 6 is an enlarged sectional view on line 6-6 of FIG. 4.



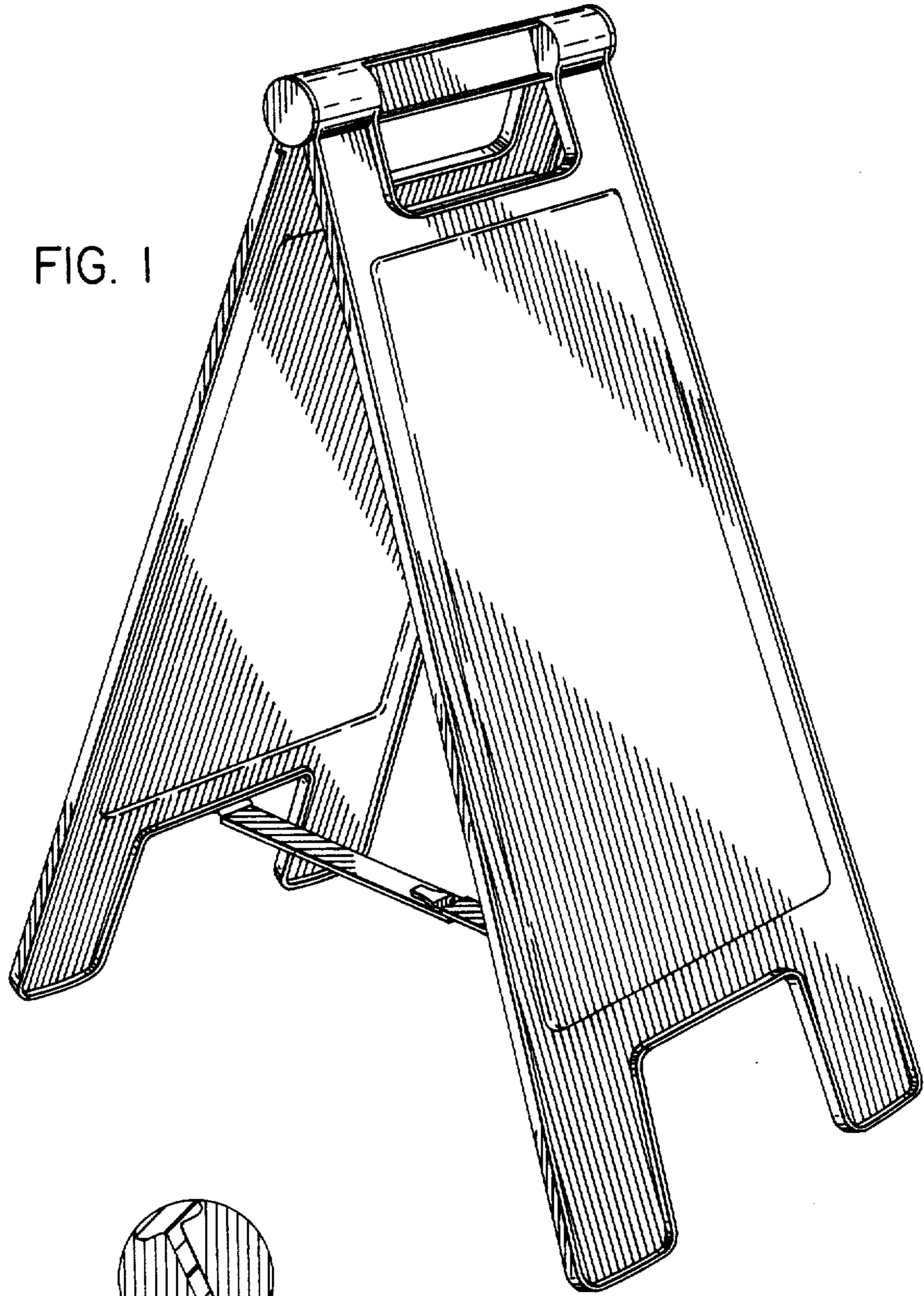


FIG. 1

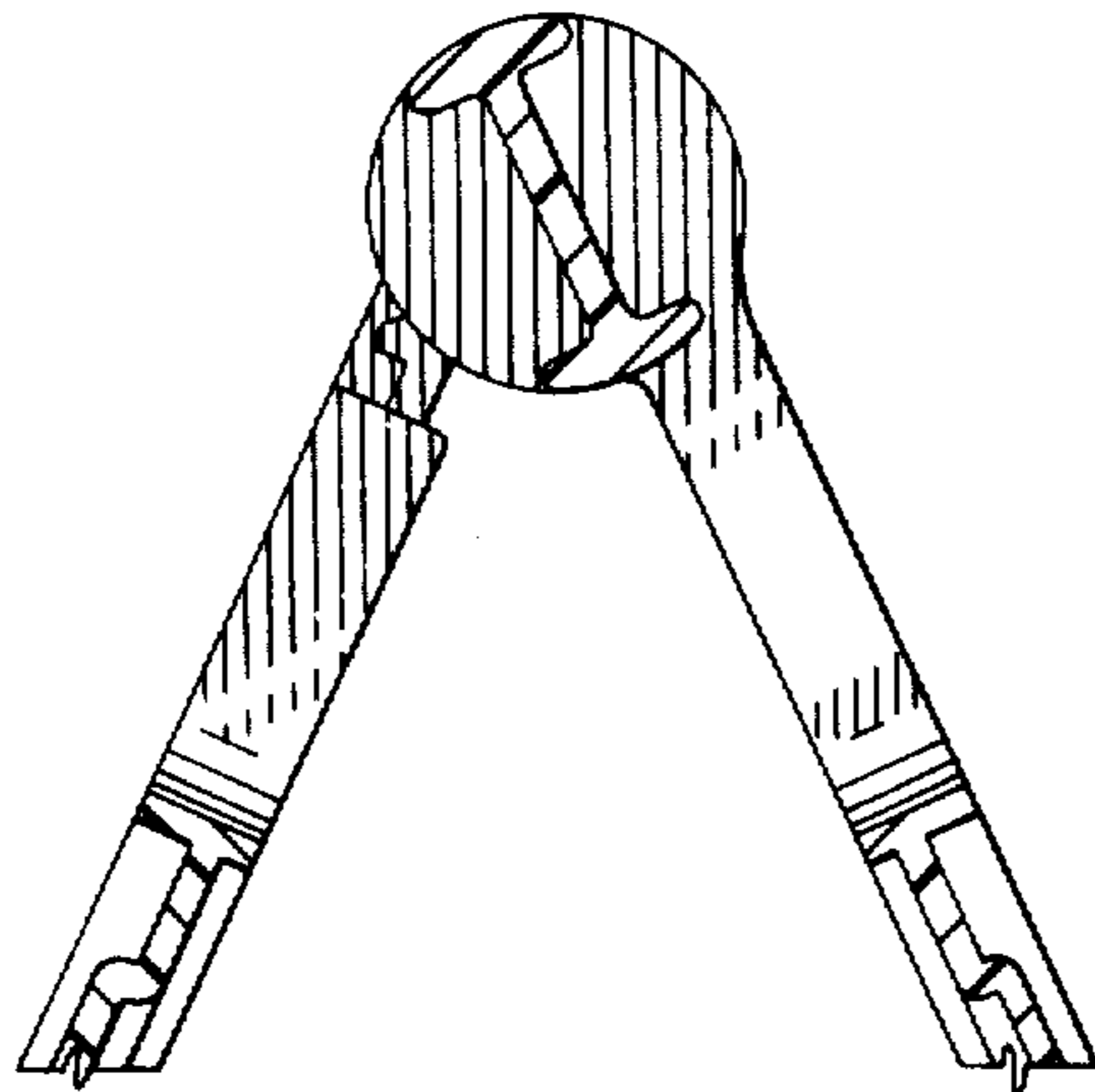


FIG. 5

FIG. 2

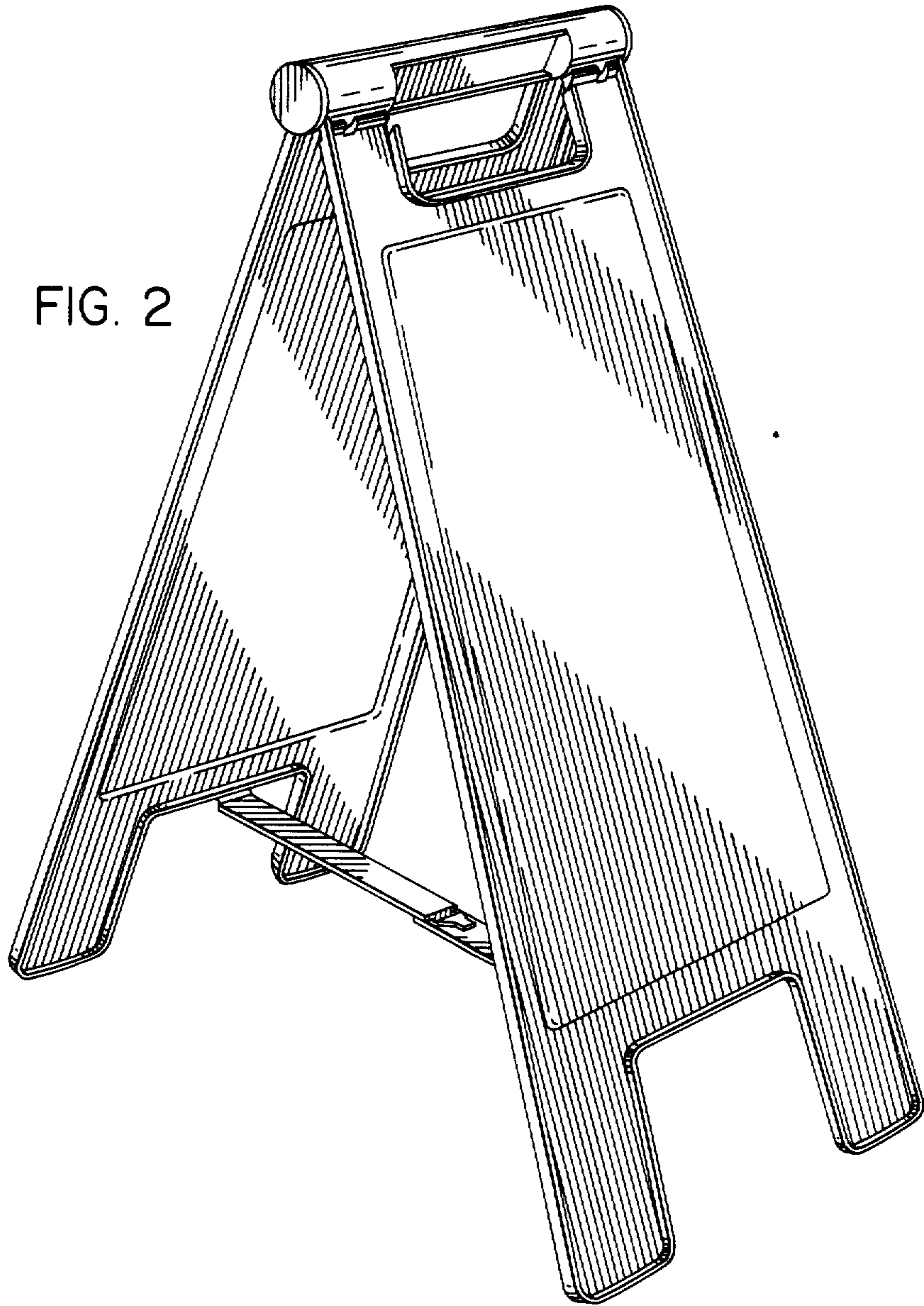


FIG. 6

