

[54] FAN FOLDING APPARATUS

[56]

References Cited

U.S. PATENT DOCUMENTS

[75] Inventors: Richard L. Edwards, Windsor Locks; Martin Kesten, West Hartford, both of Conn.

D. 252,272	7/1979	Barrett	D18/22
3,442,503	5/1969	Call	270/61 F
3,627,304	12/1971	Reeder	270/61 F
4,030,720	6/1977	Jones	270/61 F

[73] Assignee: Preston Engravers, Inc., Windsor, Conn.

Primary Examiner—Leland A. Sebastian

[**] Term: 14 Years

[57]

CLAIM

The ornamental design for a fan folding apparatus, as shown.

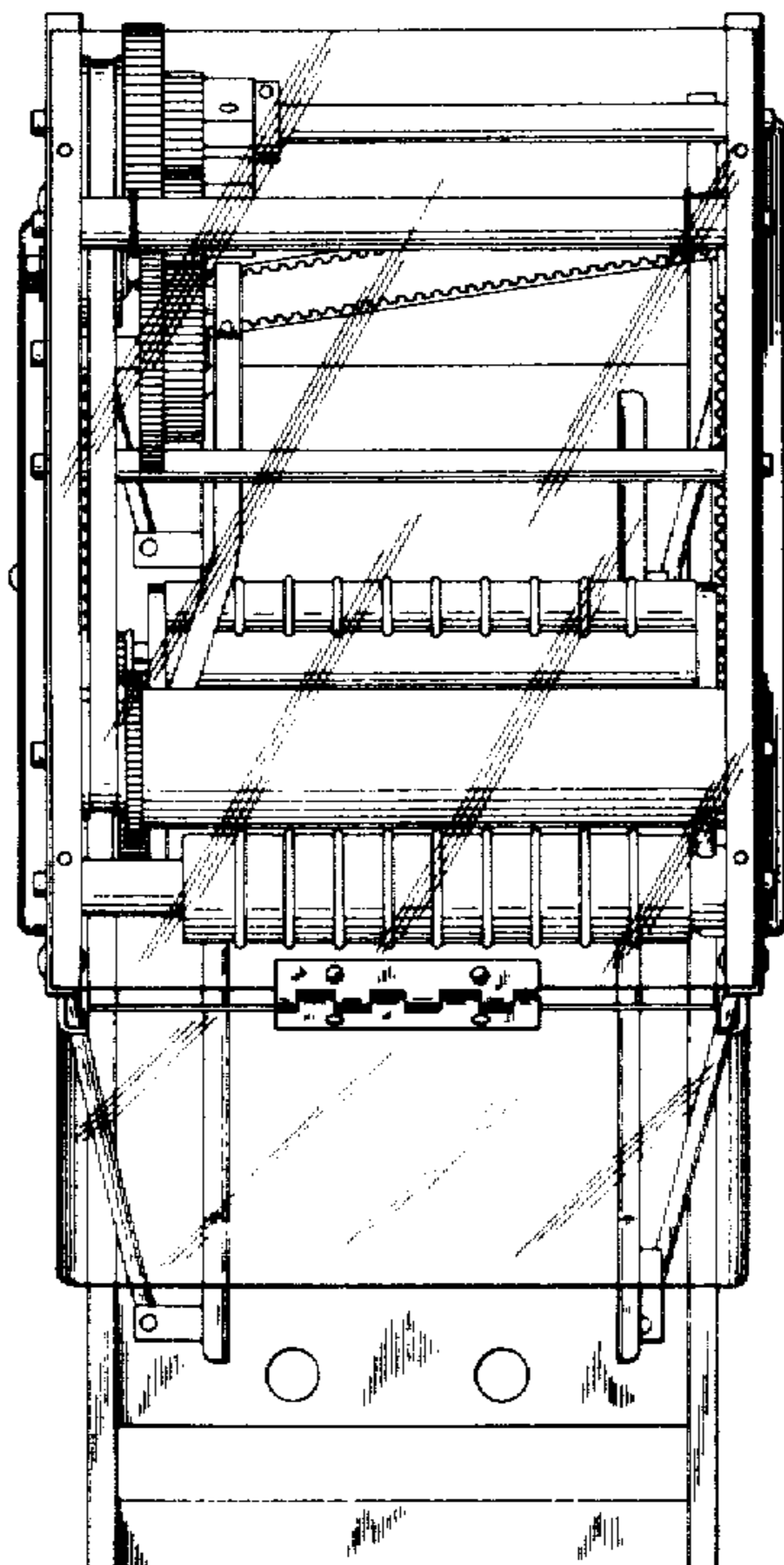
[21] Appl. No.: 31,126

DESCRIPTION

[22] Filed: Apr. 18, 1979

FIG. 1 is a front elevational view of a fan folding apparatus showing our new design;
 FIG. 2 is a rear elevational view thereof;
 FIG. 3 is a top plan view thereof;
 FIG. 4 is a bottom view thereof;
 FIG. 5 is a side elevational view thereof; and
 FIG. 6 is a side elevational view of the side opposite that shown in FIG. 5.

[51] Int. Cl. D18—99
 [52] U.S. Cl. D18/22
 [58] Field of Search D18/22, 23; 270/52.5, 270/61 F, 79



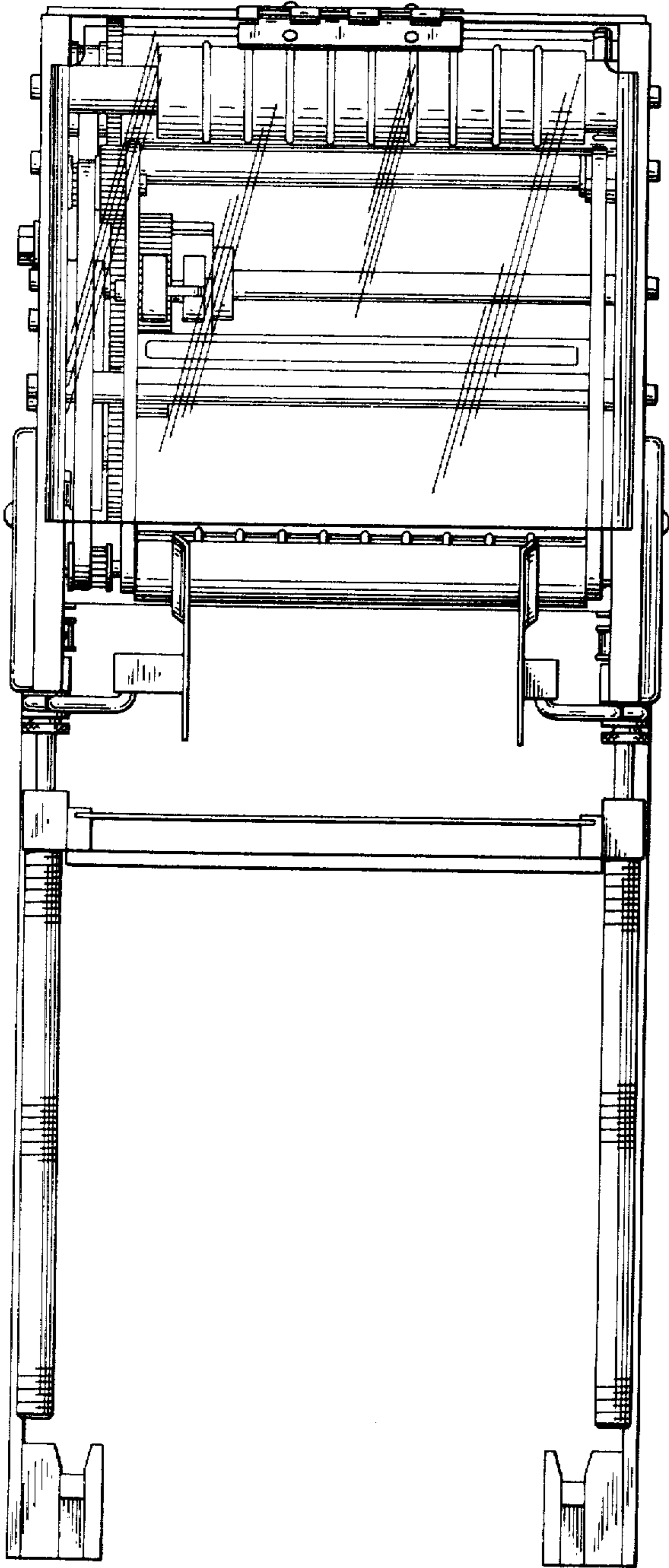


FIG. 1

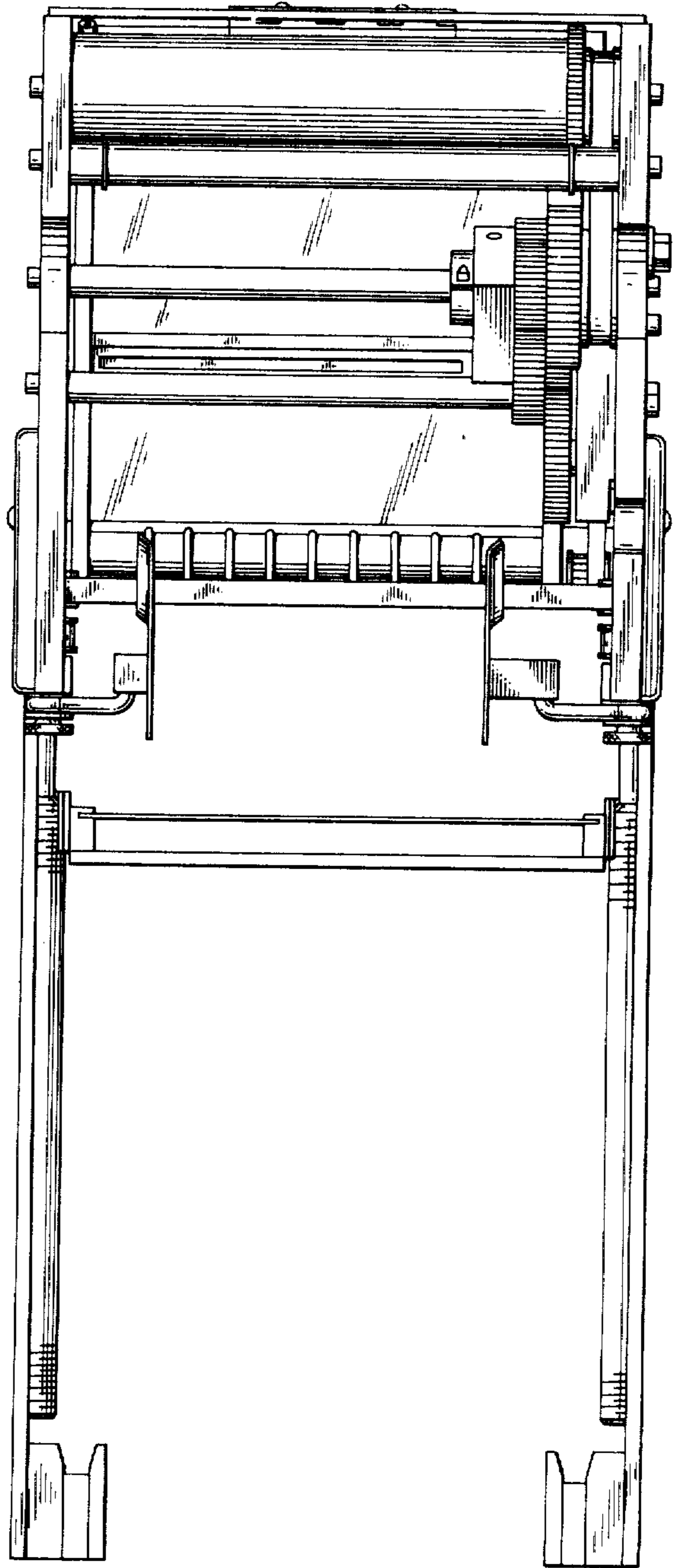


FIG. 2

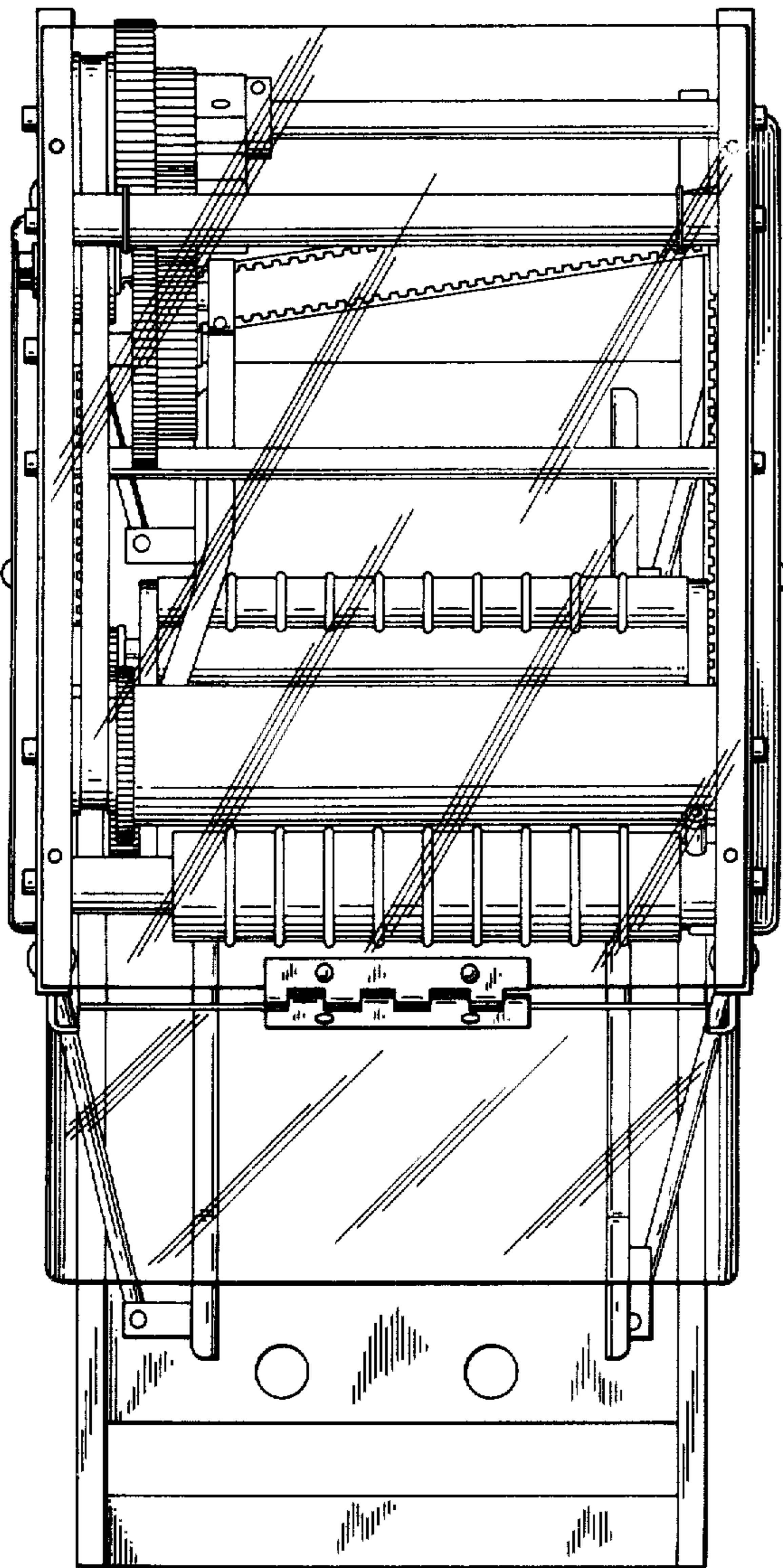


FIG. 3

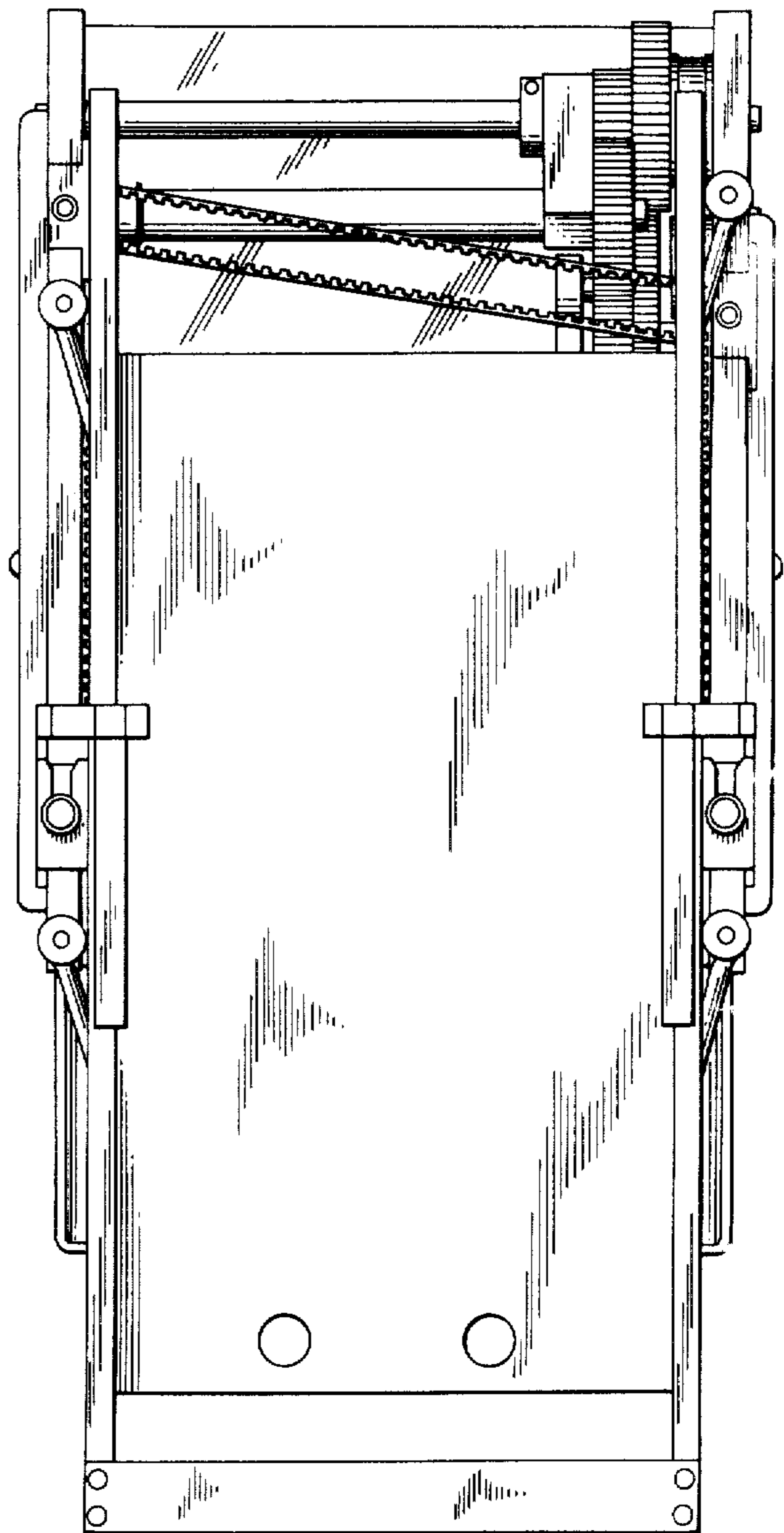


FIG. 4

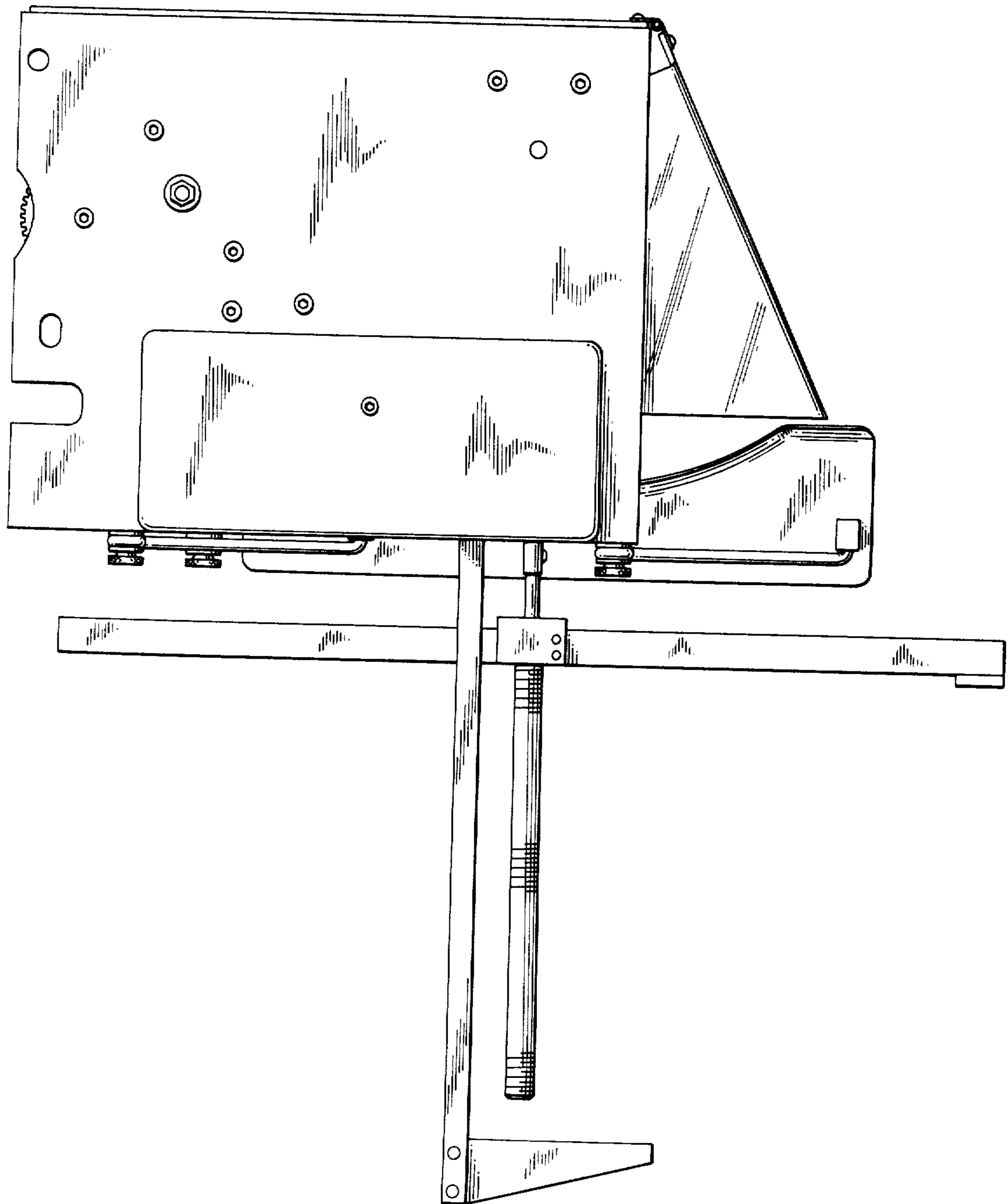


FIG. 5

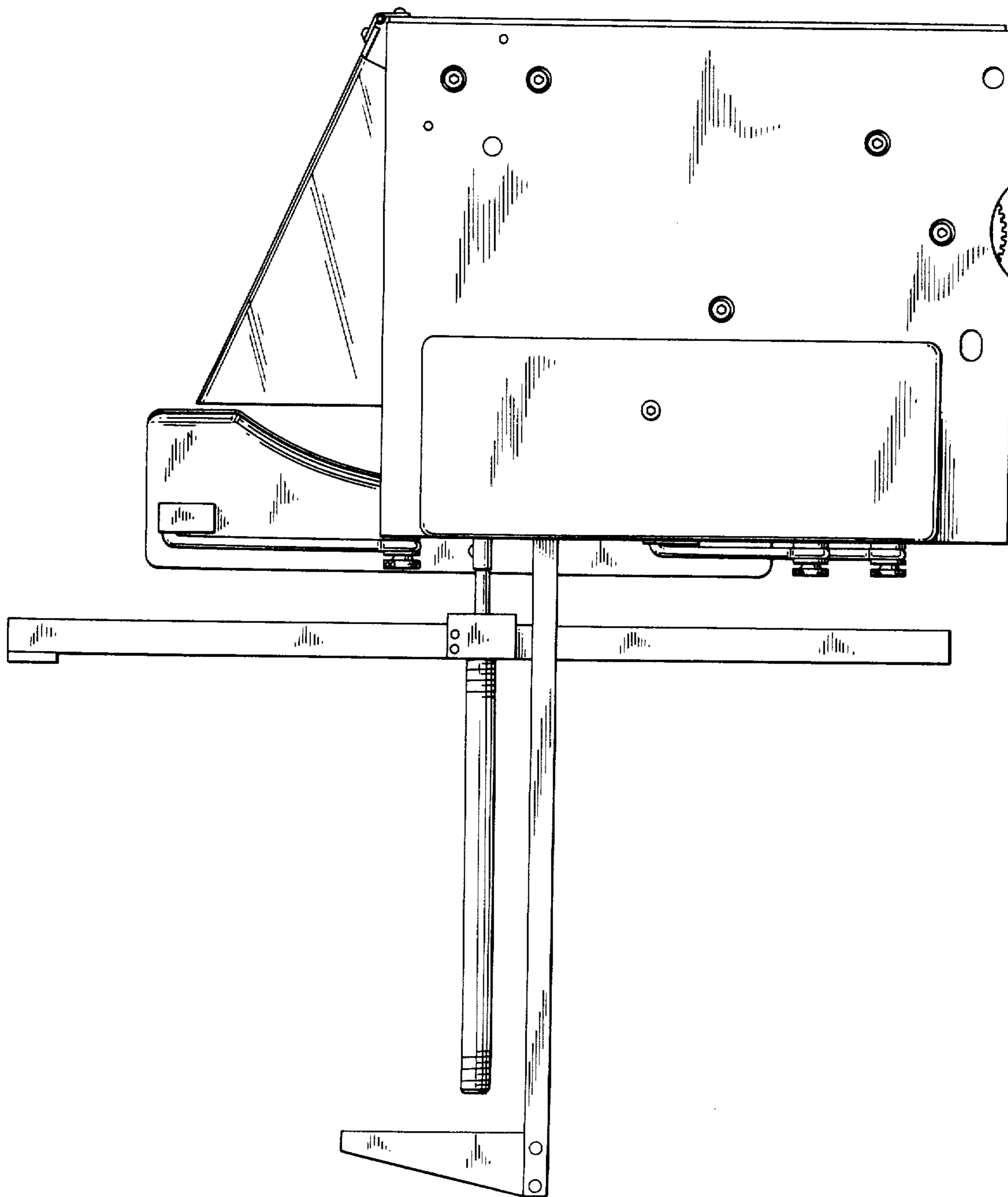


FIG. 6