

- [54] **PHOTOGRAPHIC ENLARGING APPARATUS**
- [75] Inventor: **Wilhelm Pramstraller**, Brixen, Italy
- [73] Assignee: **Durst A.G. Fabrik Fototechnischer Apparate**, Bozen, Italy
- [**] Term: **14 Years**
- [21] Appl. No.: **7,242**
- [22] Filed: **Jan. 29, 1979**

2,069,186	1/1937	Hineline	355/64
3,044,351	7/1962	Patterson	355/64
3,531,197	9/1970	King	355/18
4,095,246	6/1978	Kellner	354/187

Primary Examiner—Peter M. Caun
Attorney, Agent, or Firm—Cahill, Sutton & Thomas

[57] **CLAIM**

The ornamental design for a photographic enlarging apparatus, as shown and described.

DESCRIPTION

FIG. 1 is a perspective view of the photographic enlarging apparatus of the present invention; FIG. 2 is a bottom plan view thereof on a reduced scale; FIG. 3 is a partial right side elevational view of the upper portion thereof; FIG. 4 is a front elevational view thereof with base partially broken away; FIG. 5 is a rear elevational view thereof with base partially broken away; FIG. 6 is a top plan view thereof on an enlarged scale with base partially broken away; and FIG. 7 is a left side elevational view thereof.

[30] **Foreign Application Priority Data**

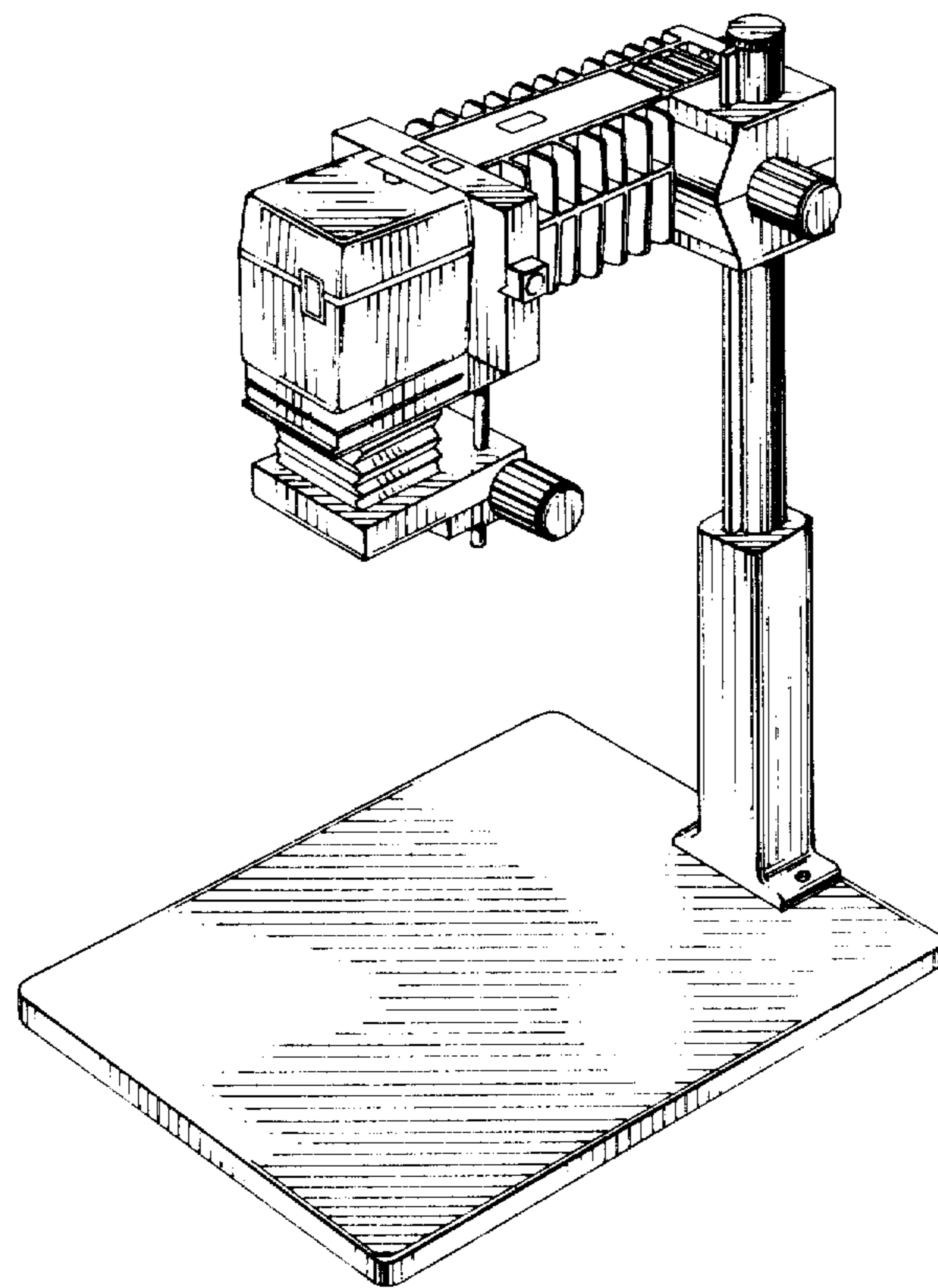
Aug. 29, 1978 [IT] Italy 6716/78[U]

- [51] Int. Cl. **D16-03**
- [52] U.S. Cl. **D16/25**
- [58] Field of Search D16/2, 25, 27; 354/187, 354/188; 355/18, 55, 64

[56] **References Cited**

U.S. PATENT DOCUMENTS

D. 128,121 7/1941 Leonard D16/25



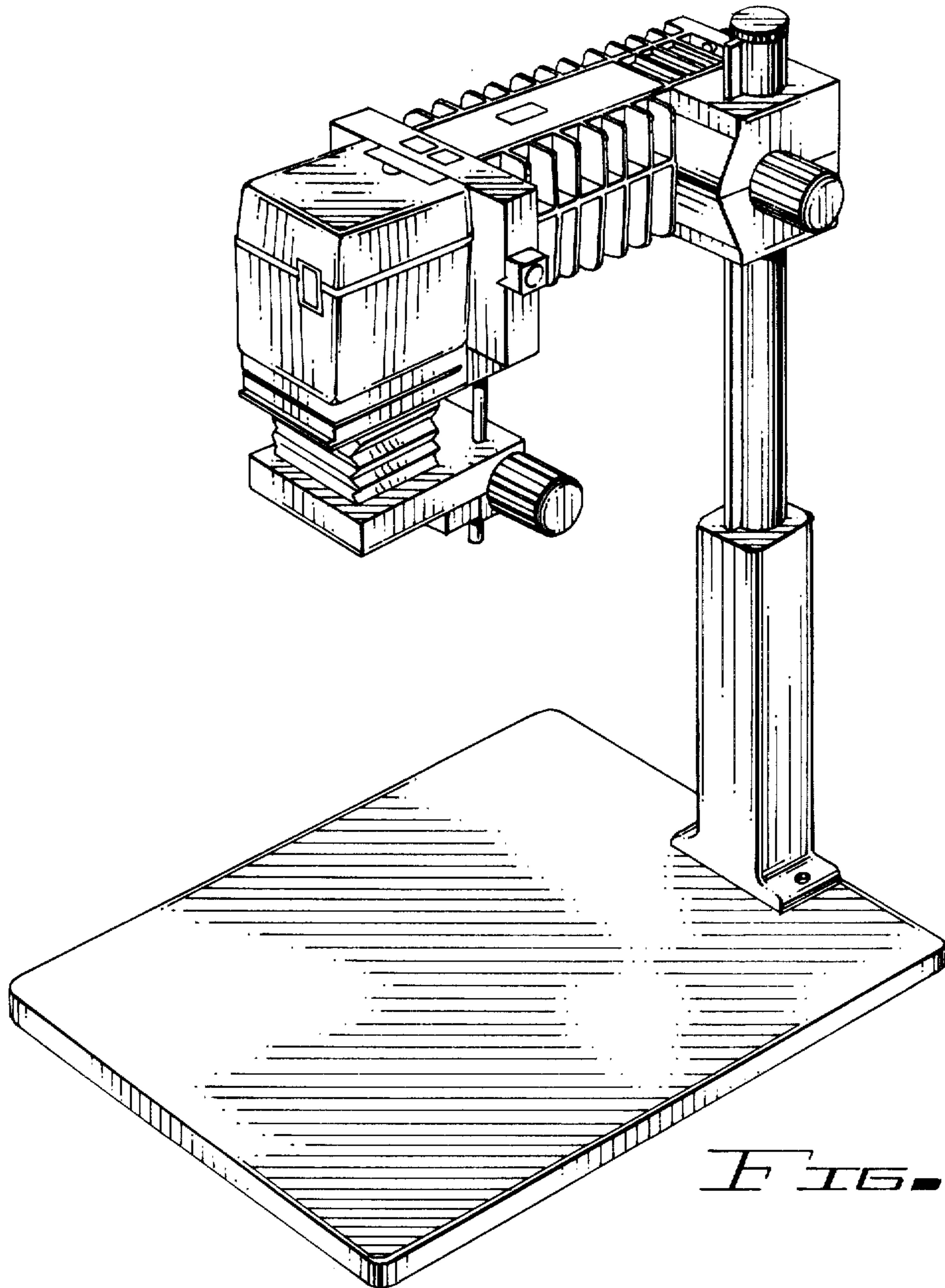


FIG. 1

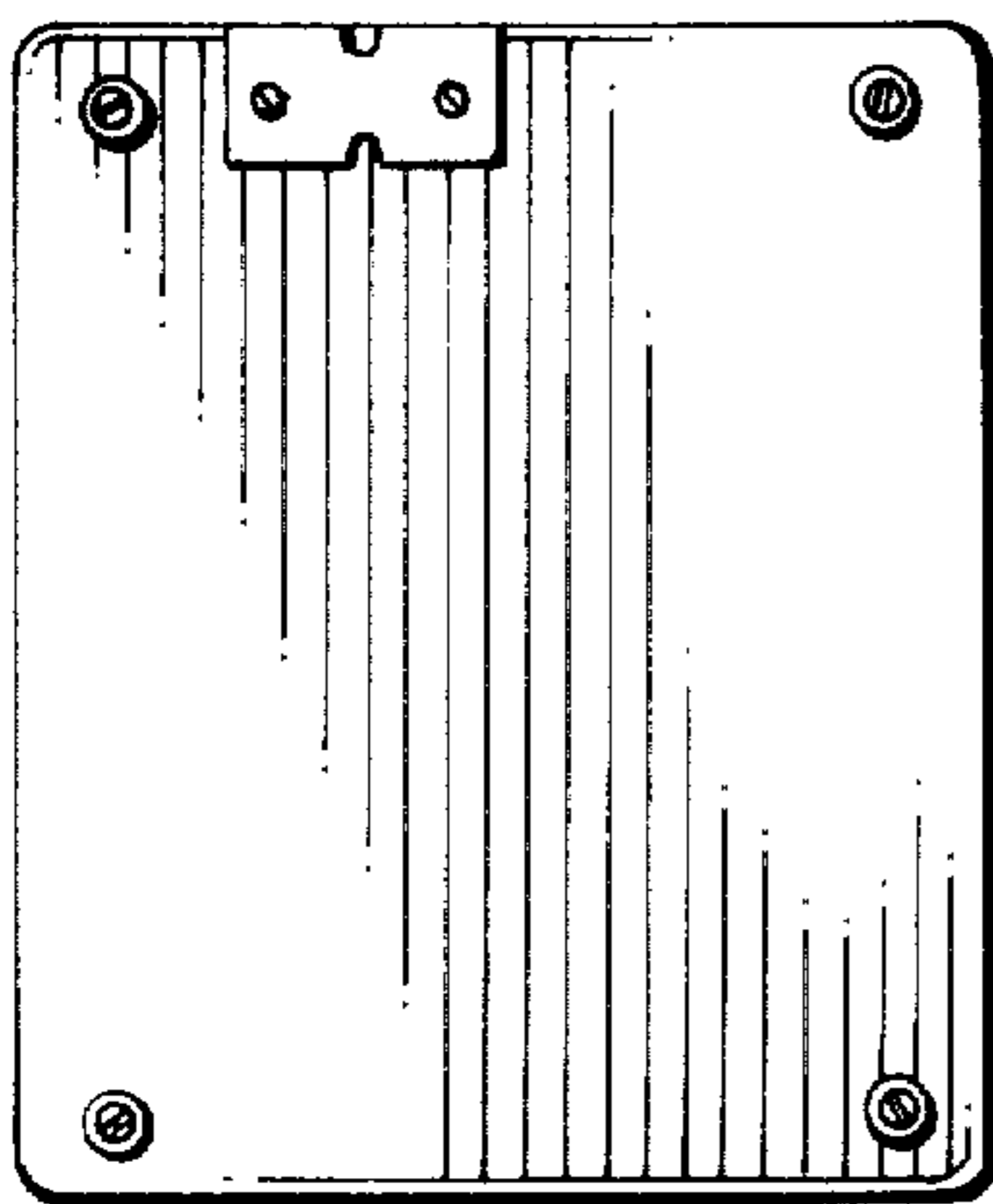


FIG. 2

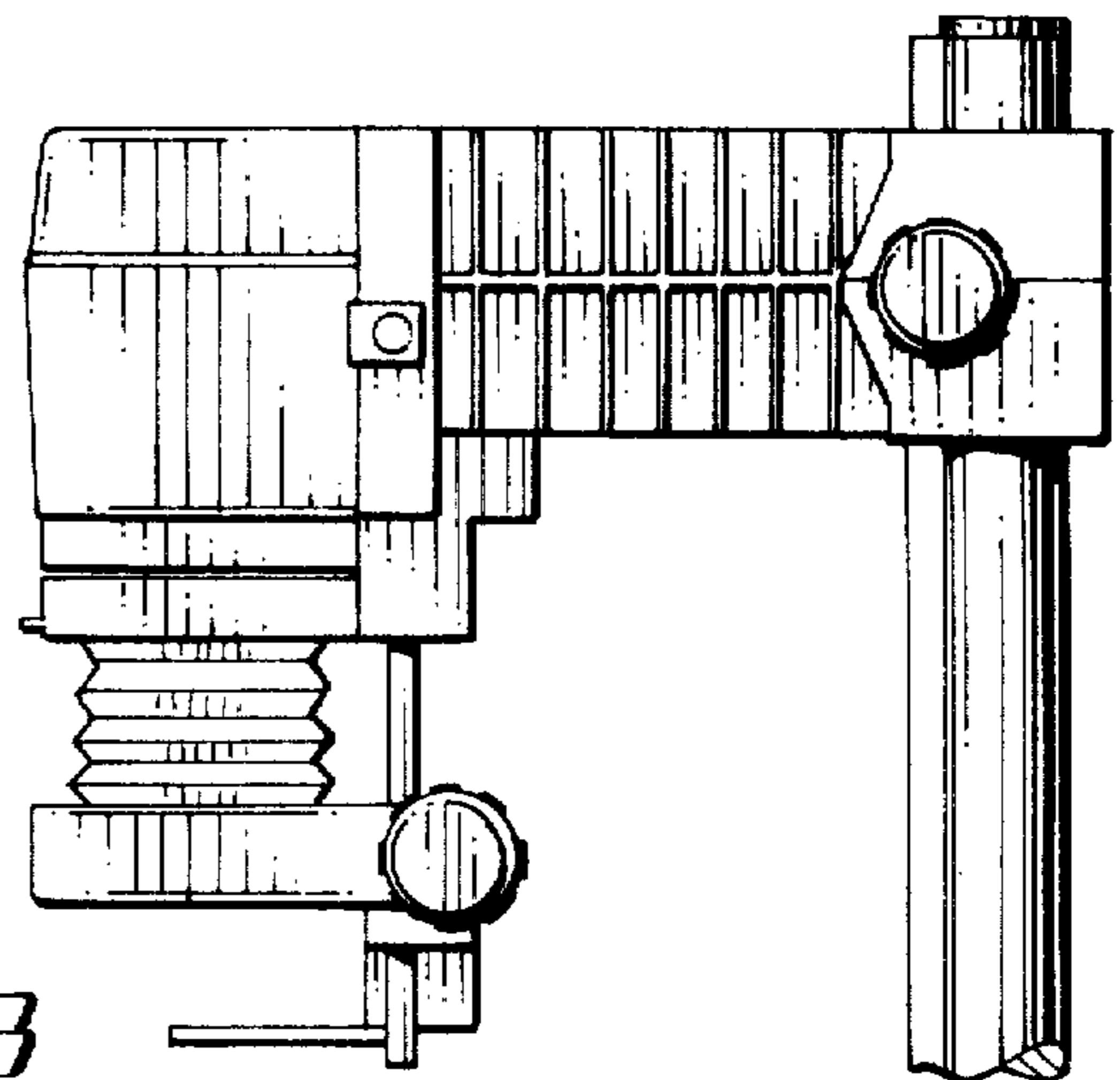


FIG. 3

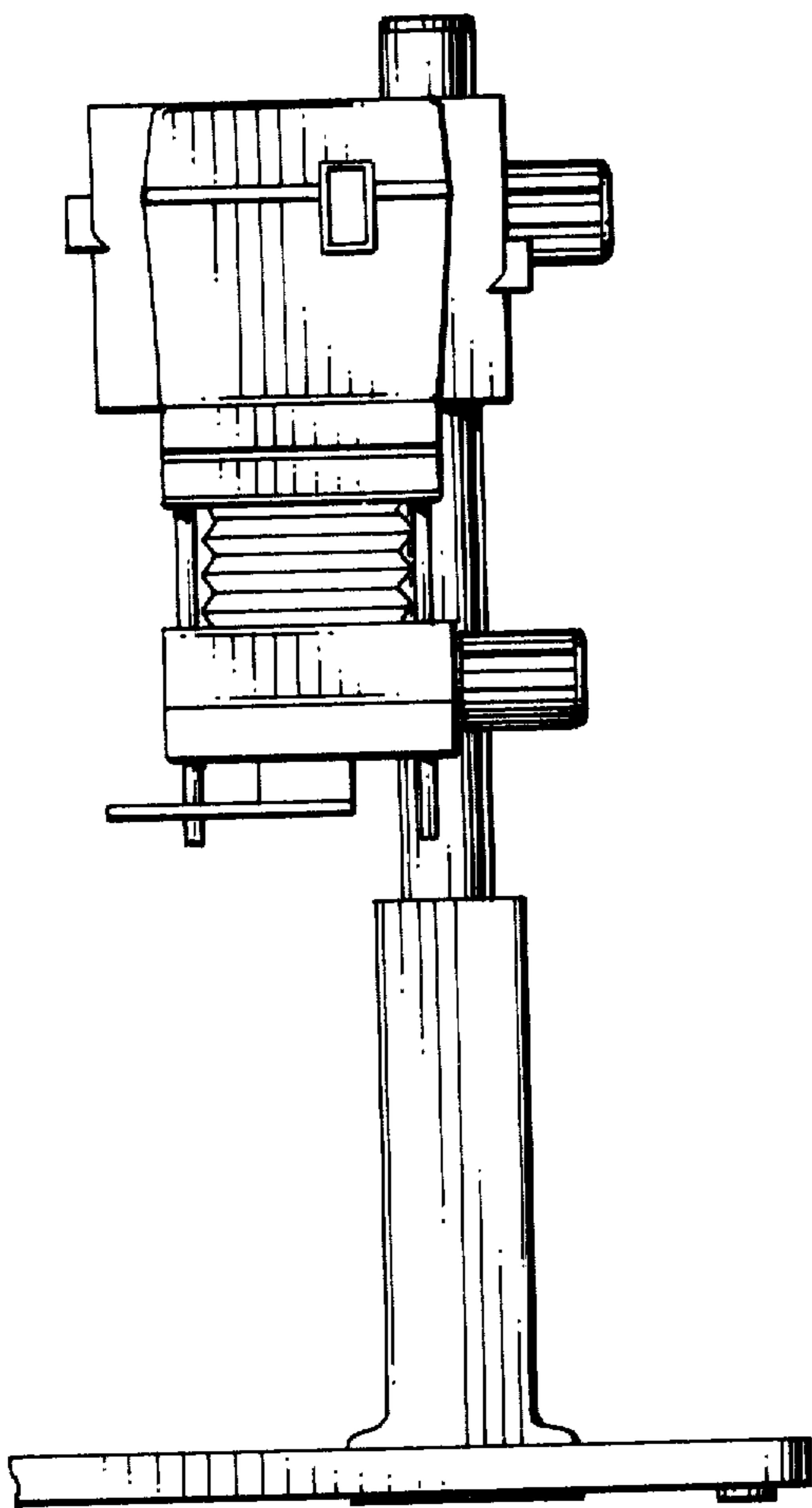


FIG. 4

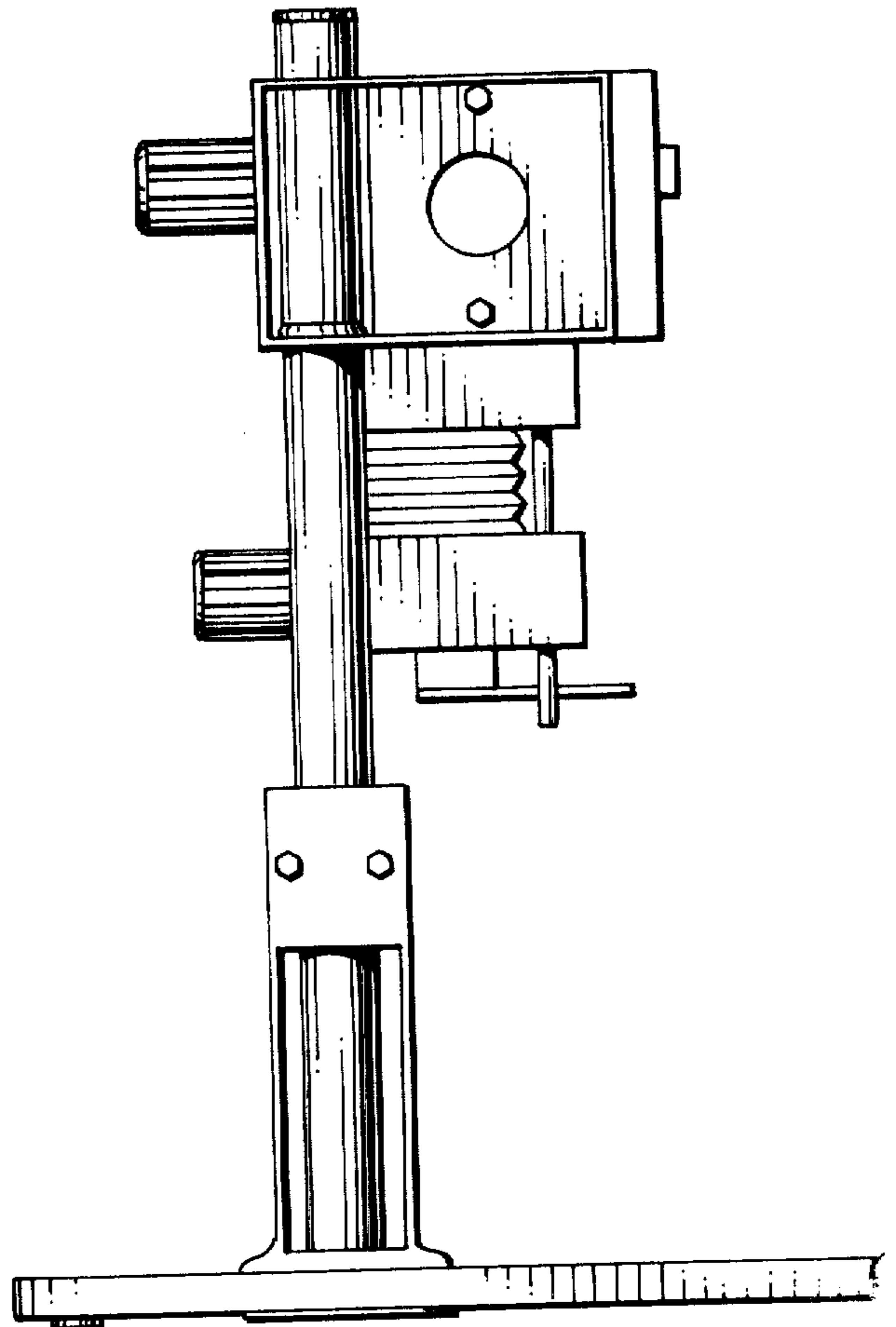


FIG. 5

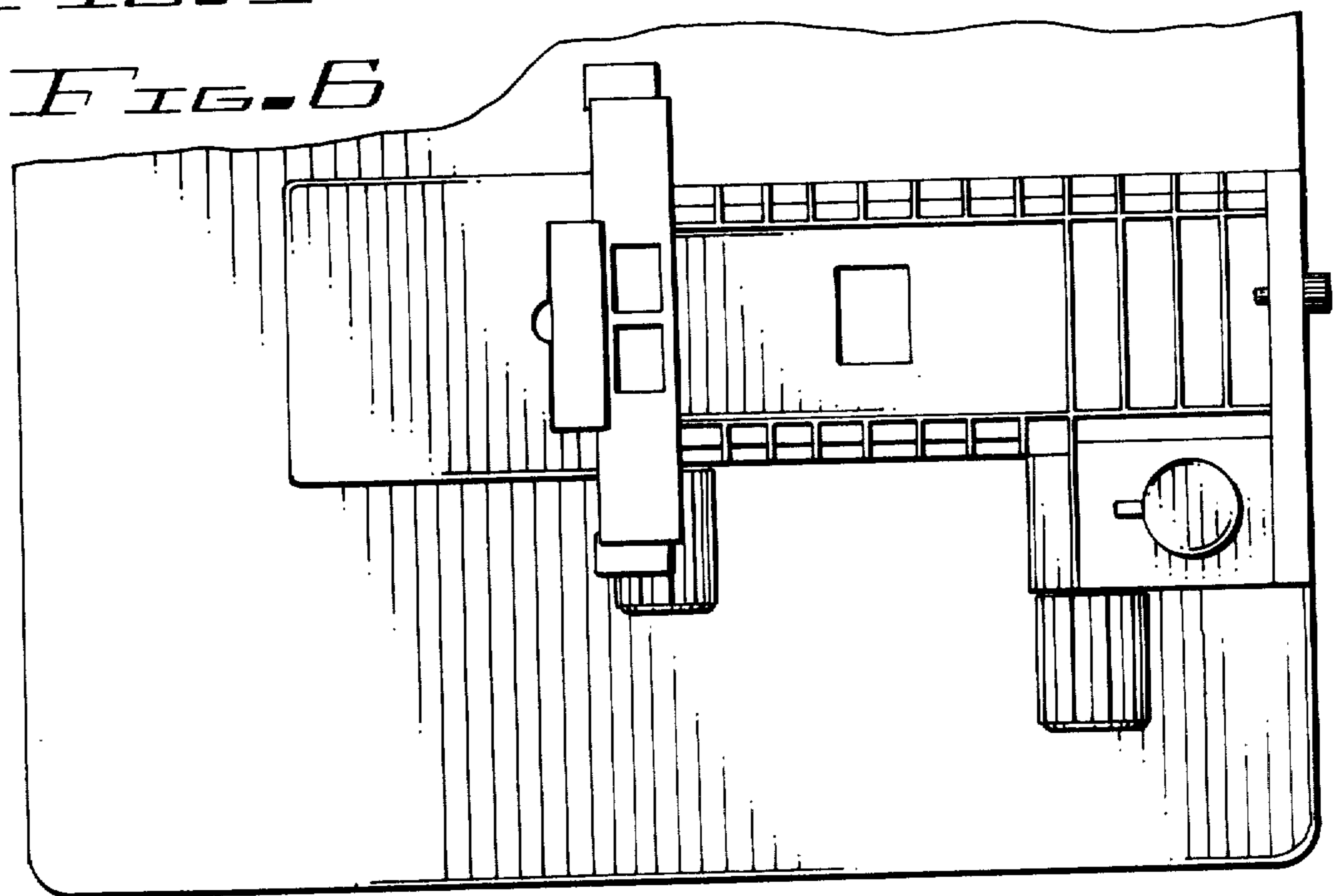


FIG. 6

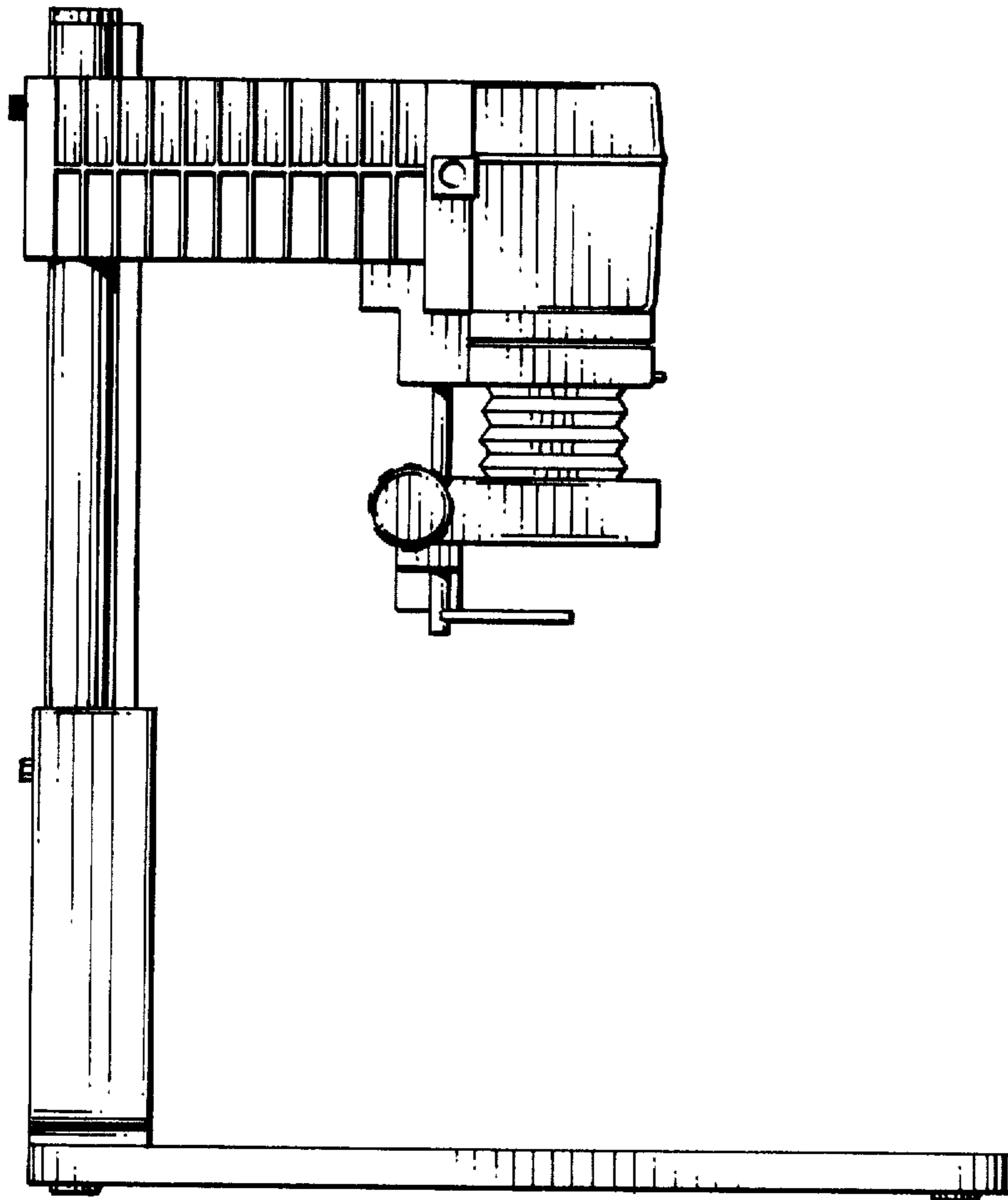


FIG. 7