

[54] CITIZENS' BAND TRANSCEIVER OR SIMILAR ARTICLE

D. 244,313 5/1977 Imado D14/68 X
D. 249,687 9/1978 Imazeki D14/68
D. 250,712 1/1979 Yanitz D14/68

[75] Inventor: Andrew Kainass, Syracuse, N.Y.

[73] Assignee: General Electric Company, New York, N.Y.

[**] Term: 14 Years

[21] Appl. No.: 103,386

[22] Filed: Dec. 13, 1979

[51] Int. Cl. D14-03

[52] U.S. Cl. D14/68

[58] Field of Search D14/1, 52, 68, 70-76, D14/95, 96, 99

[56] References Cited

U.S. PATENT DOCUMENTS

D. 230,277 2/1974 Miyamoto et al. D14/96

OTHER PUBLICATIONS

General Electric Supplement to 1-10-77 *Retailing Home Furnishings*, front page, top photo, Items "A-G". W. Bell & Co. '79 Cat., ©'78, p. 284, Item "N".

Primary Examiner—Jane E. Corrigan
Attorney, Agent, or Firm—Leonard J. Platt; George R. Powers; John F. Cullen

[57] CLAIM

The ornamental design for a citizens' band transceiver or similar article, as shown.

DESCRIPTION

FIG. 1 is a front, top and left side perspective view of a citizens' band transceiver or similar article showing my new design; and

FIG. 2 is a rear, bottom and right side perspective view.

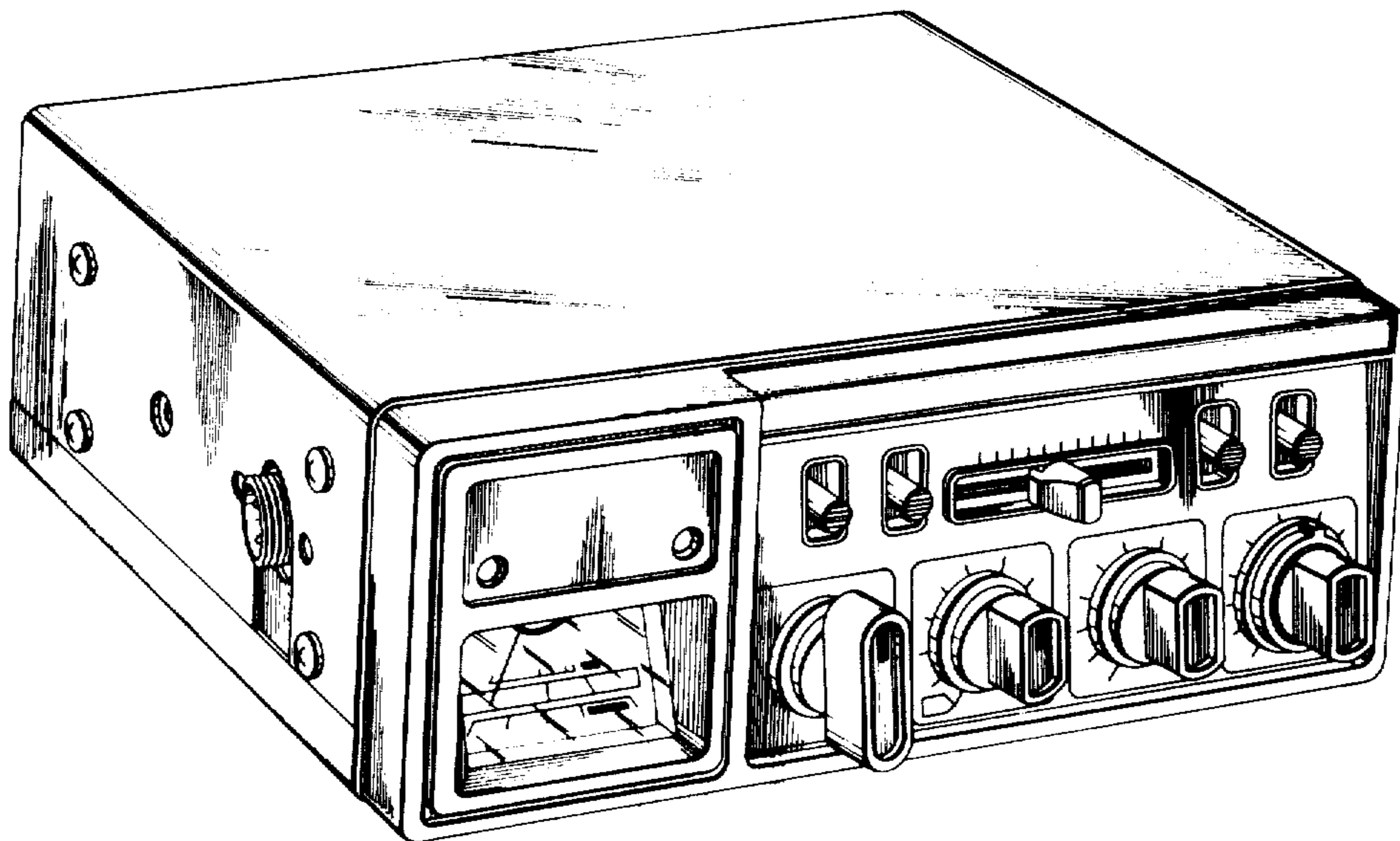


Fig. 1.

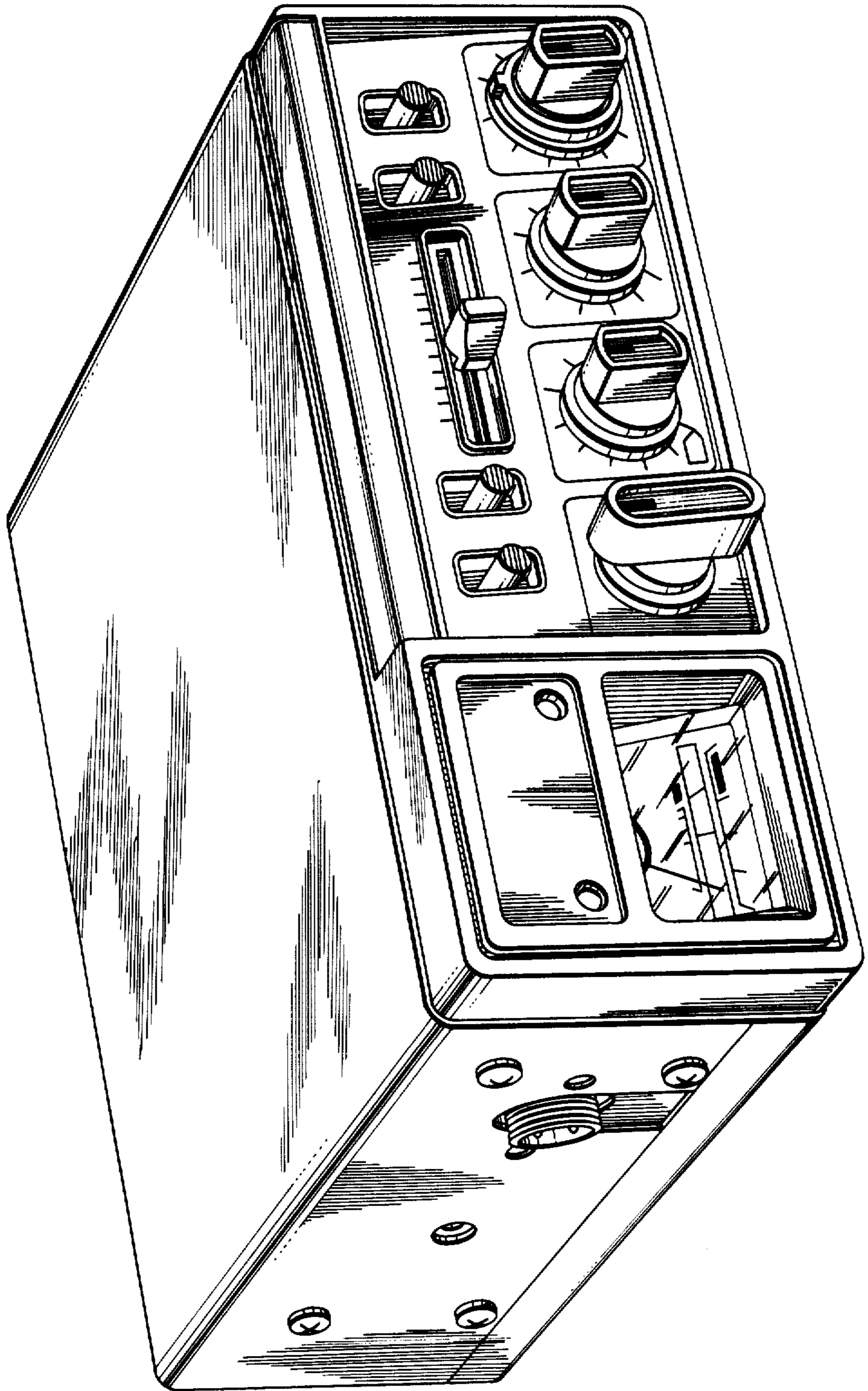


FIG. 2.

