

[54] **STORE TERMINAL**

[75] **Inventor: Roger C. Williams, Raleigh, N.C.**

[73] **Assignee: International Business Machines Corp., Armonk, N.Y.**

[**] **Term: 14 Years**

[21] **Appl. No.: 971,145**

[22] **Filed: Dec. 19, 1978**

[51] **Int. Cl. D14-02**
[52] **U.S. Cl. D14/100; D18/4**
[58] **Field of Search D14/40-50;**
340/365 R; 364/404, 405, 406, 900; D18/4

[56]

References Cited

U.S. PATENT DOCUMENTS

D. 215,547 10/1969 Genaro D14/44 X

OTHER PUBLICATIONS

IBM Technical Disclosure Bulletin, vol. 20, No. 2, 7-1977 p. 736, Point-of-sale terminal.

Primary Examiner—Susan J. Lucas
Attorney, Agent, or Firm—Gerald R. Woods

[57]

CLAIM

The ornamental design for a store terminal, as shown.

DESCRIPTION

FIG. 1 is a perspective view of the front, top and left side of a store terminal showing my new design; and FIG. 2 is a perspective view of the rear, top and right side of a store terminal showing my design.

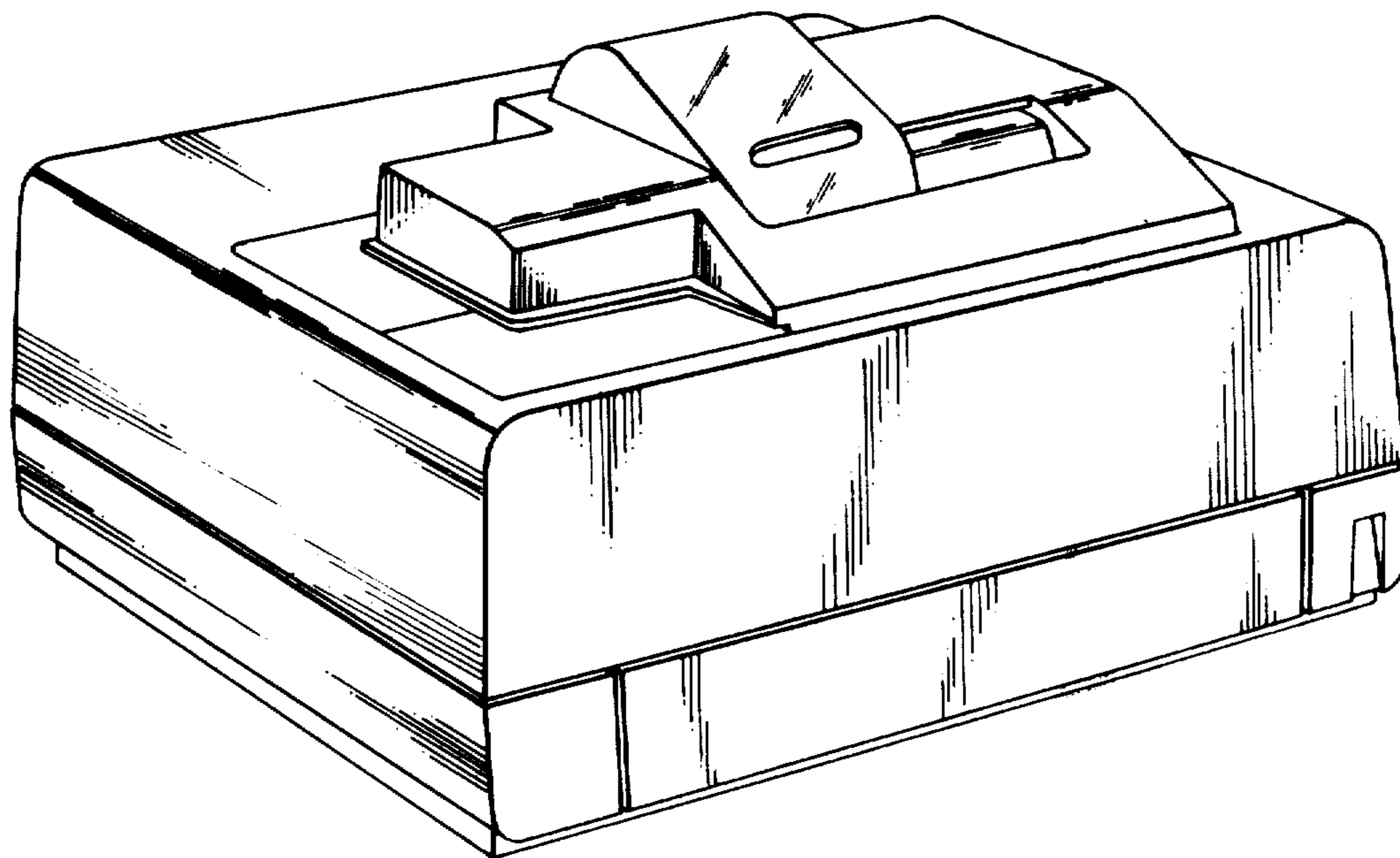


FIG. 1

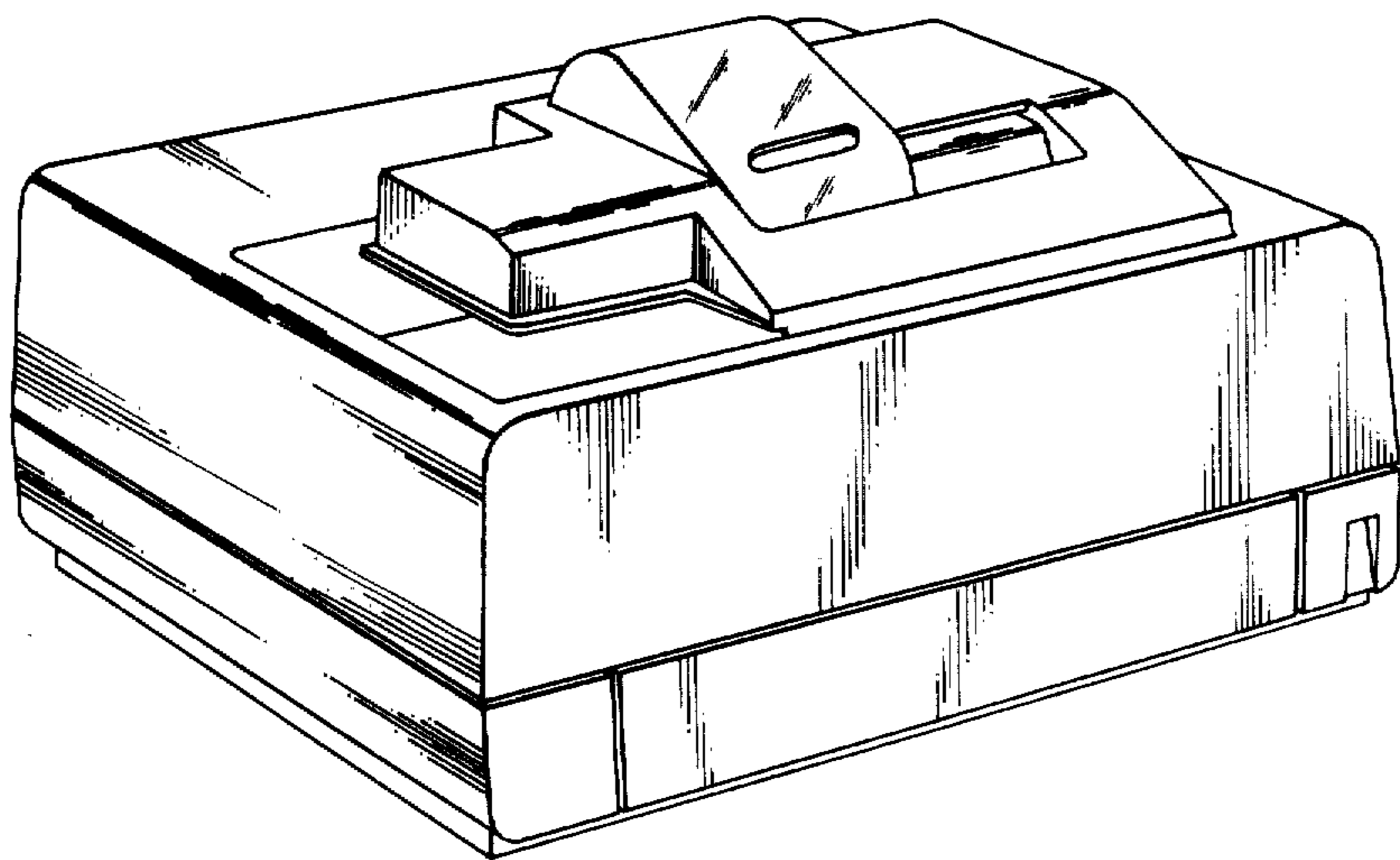


FIG. 2

