

[54] RECORD TURNTABLE

[75] Inventor: Raymond Vachus, Yzeure, France

[73] Assignee: Thomson-Brandt, Paris, France

[**] Term: 14 Years

[21] Appl. No.: 44,889

[22] Filed: Jun. 4, 1979

[30] Foreign Application Priority Data

Feb. 5, 1979 [FR] France 77,277

[51] Int. Cl. D14-01

[52] U.S. Cl. D14/25

[58] Field of Search D14/14, 17, 18, 20,
D14/25, 27, 1; D14/16

[56] References Cited

U.S. PATENT DOCUMENTS

D. 231,798 6/1974 Takahashi D14/17

OTHER PUBLICATIONS

'76 "Sound Gallery Audio Buyer's Guide", Winter '76 Issue, p. 19, Dual Turntable.

Best Products '77 Buyer's Book #120E, p. 320J, Item "G", Garrard Model 990B Turntable.

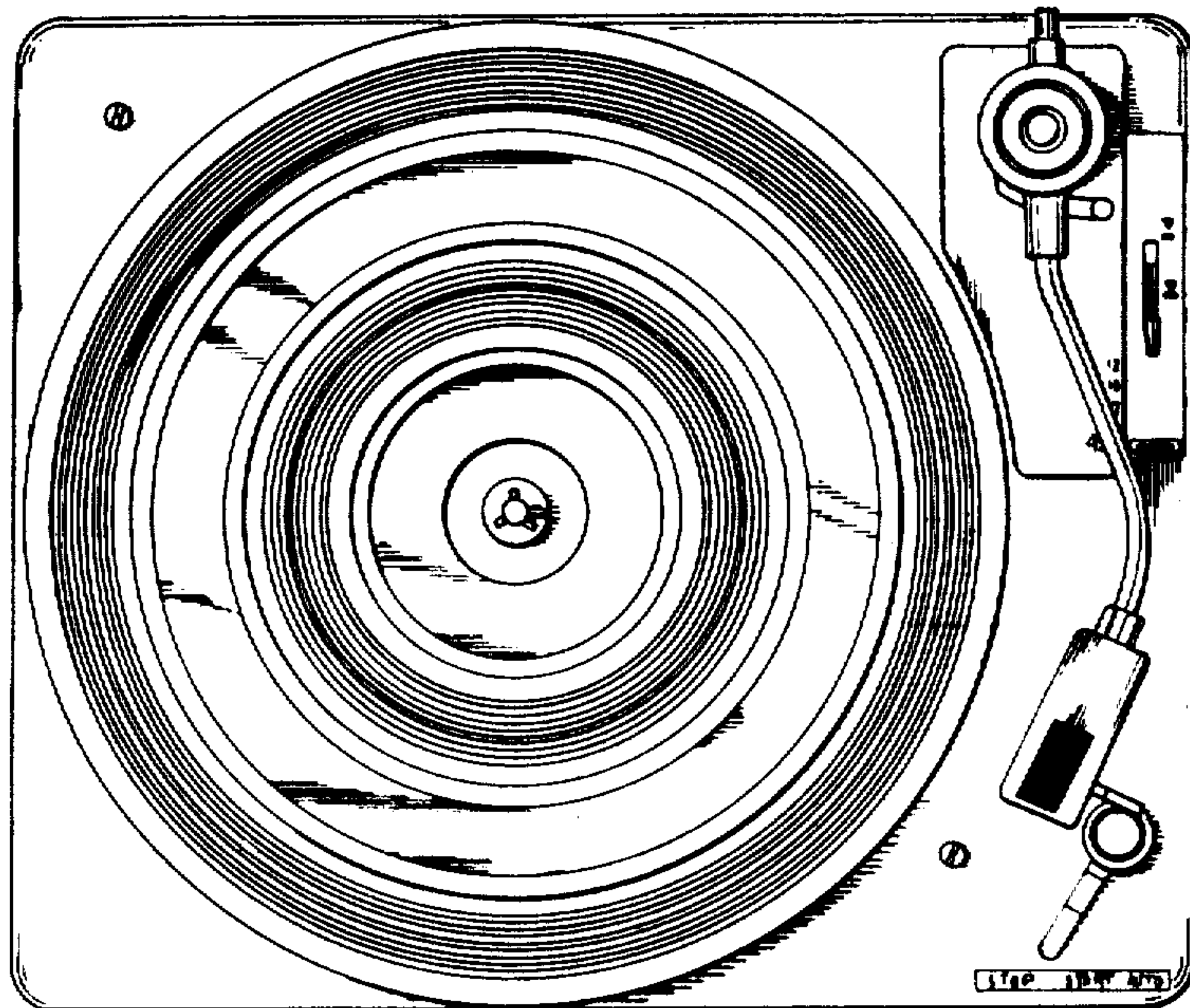
Primary Examiner—Jane E. Corrigan
Attorney, Agent, or Firm—Edwin E. Greigg

[57] CLAIM

The ornamental design for a record turntable, as shown and described.

DESCRIPTION

FIG. 1 is a top plan view of a record turntable showing my new design;
FIG. 2 is a front elevational view;
FIG. 3 is a left side elevational view;
FIG. 4 is a rear elevational view; and
FIG. 5 is a right side elevational view with structure like that shown in FIG. 3 between the cartridge and the record support surface and the lever partially shown in FIG. 3 between the tone arm and the record support surface omitted for convenience of illustration.



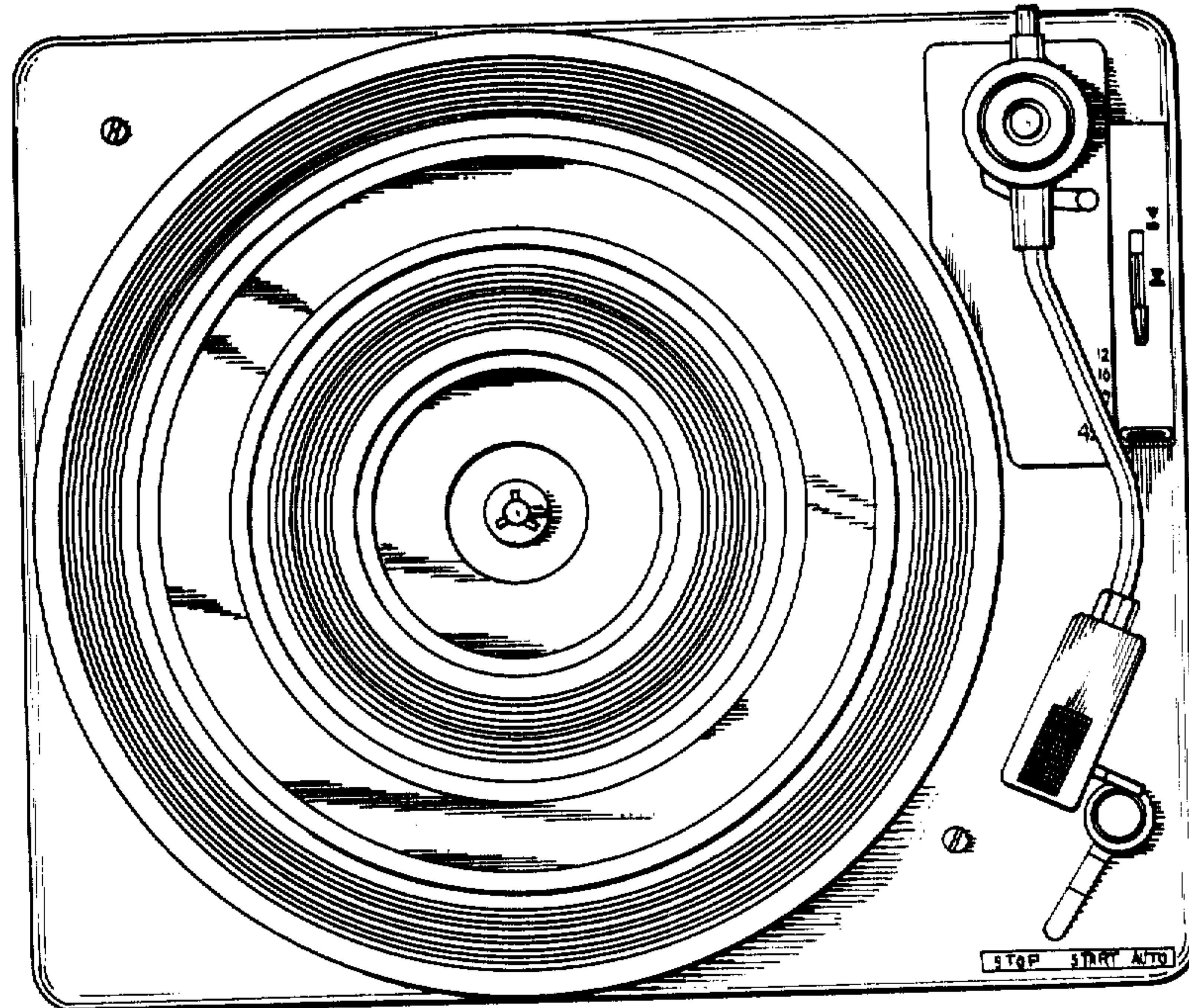


FIG. 1

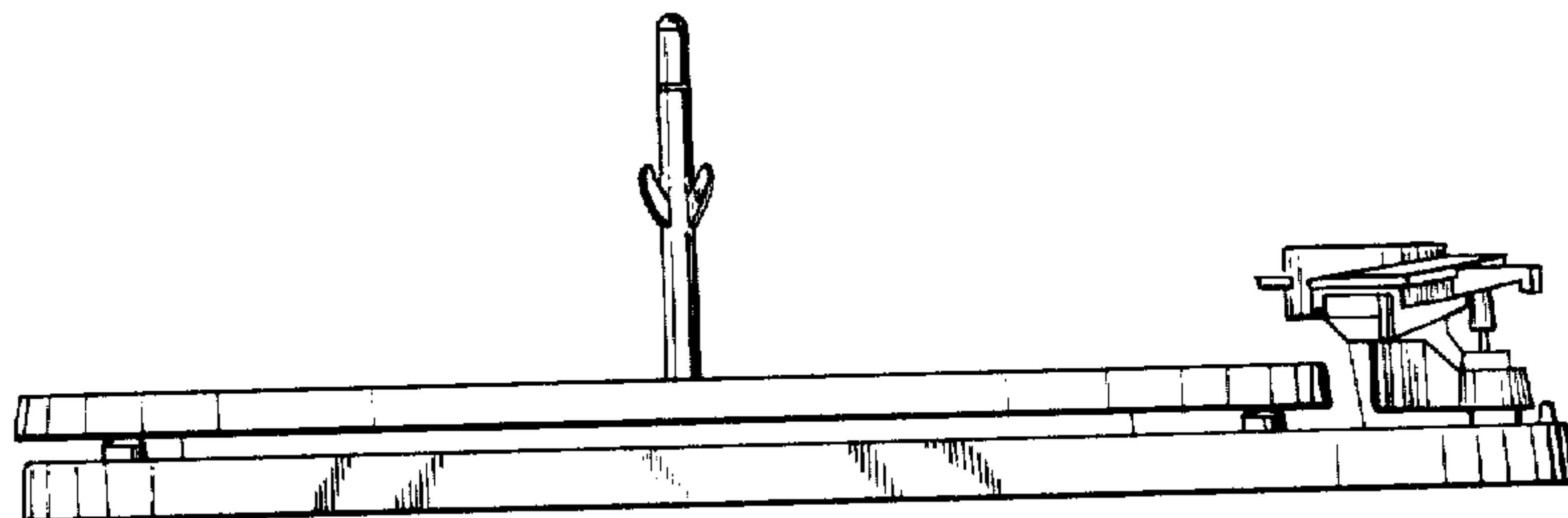


FIG. 2

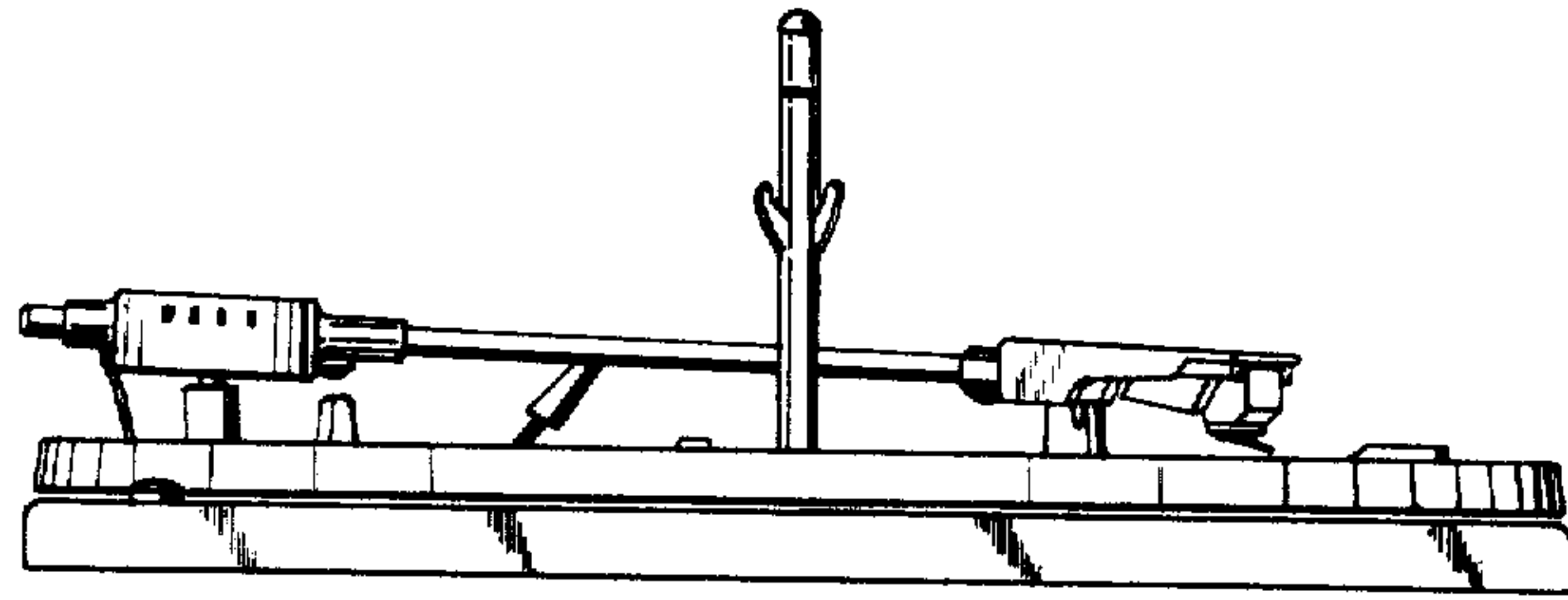


FIG. 3

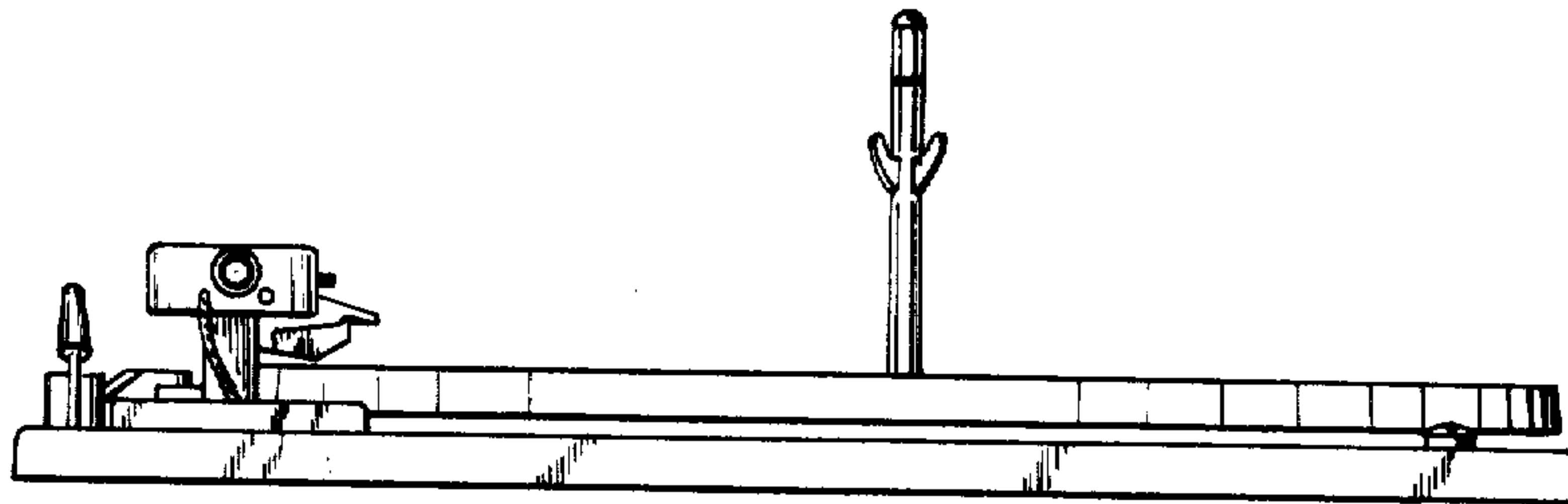


FIG. 4

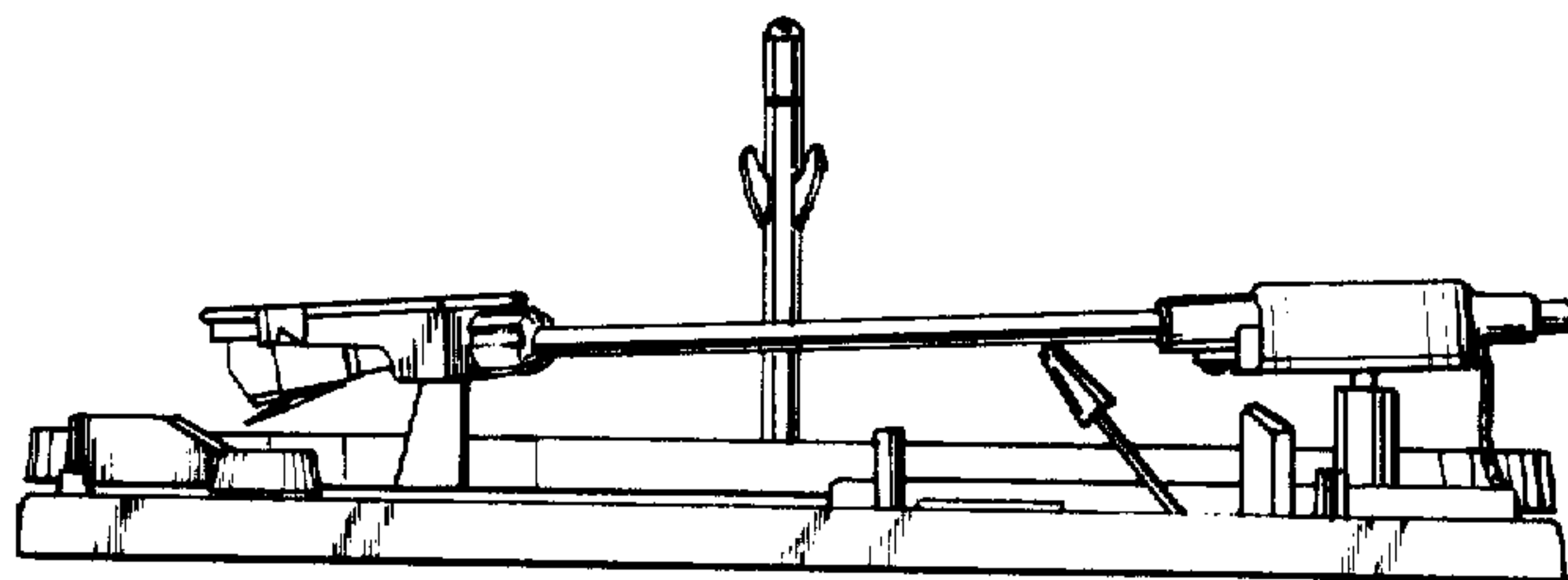


FIG. 5