

[54] CONTROL UNIT FOR A COMBINED
AUTOMOBILE CASSETTE PLAYER AND
RADIO

[75] Inventors: John F. Castagna, Brooklyn; Ronald
A. Emmerling, New City, both of
N.Y.

[73] Assignee: Sparkomatic Corporation, Milford,
Pa.

[**] Term: 14 Years

[21] Appl. No.: 85,033

[22] Filed: Oct. 15, 1979

[51] Int. Cl. D14-01; D14-03

[52] U.S. Cl. D14/10; D14/5;
D14/7; D14/68; D14/76

[58] Field of Search D14/1, 5-7,
D14/10, 68, 70-76, 99

[56] References Cited

U.S. PATENT DOCUMENTS

D. 116,746 9/1939 Marholz D14/76

OTHER PUBLICATIONS

Sanyo Supplement To 1-13-77, *Home Furnishings
Daily*, p. "5", item #FT875.

Sanyo Supplement to *Home Furnishings Daily*, inside
rear cover, item #FT1876.

Radio Shack Cat. #291, '77 Fall Sale Cat., p. 5, "Car
AM/FM Stereo 8-Track Player".

Primary Examiner—Jane E. Corrigan

Attorney, Agent, or Firm—Mason, Fenwick & Lawrence

[57] CLAIM

The ornamental design for a control unit for a combined
automobile cassette player and radio, as shown and
described.

DESCRIPTION

FIG. 1 is a front, top and left side perspective view of a
control unit for a combined automobile cassette player and
radio showing our new design in full lines, the
broken line matter being for illustrative purposes only
and forming no part of the claimed design;

FIG. 2 is a front elevational view; and

FIG. 3 is a right side elevational view.

The rear of the control unit is conventional.

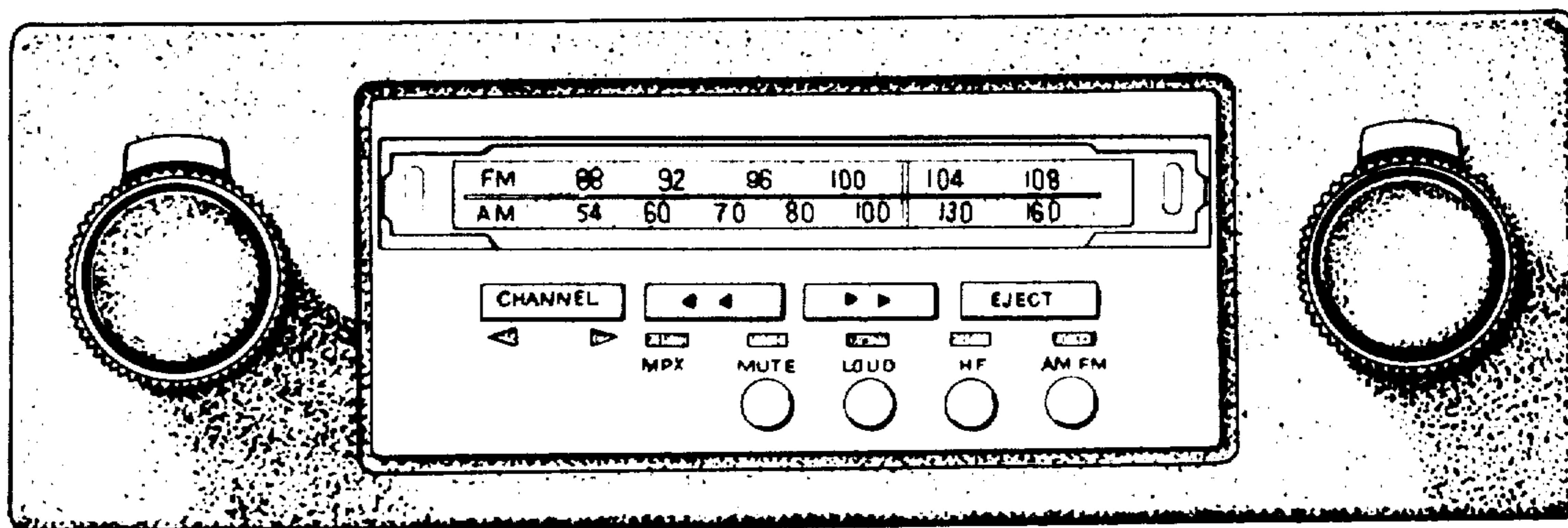


Fig-1

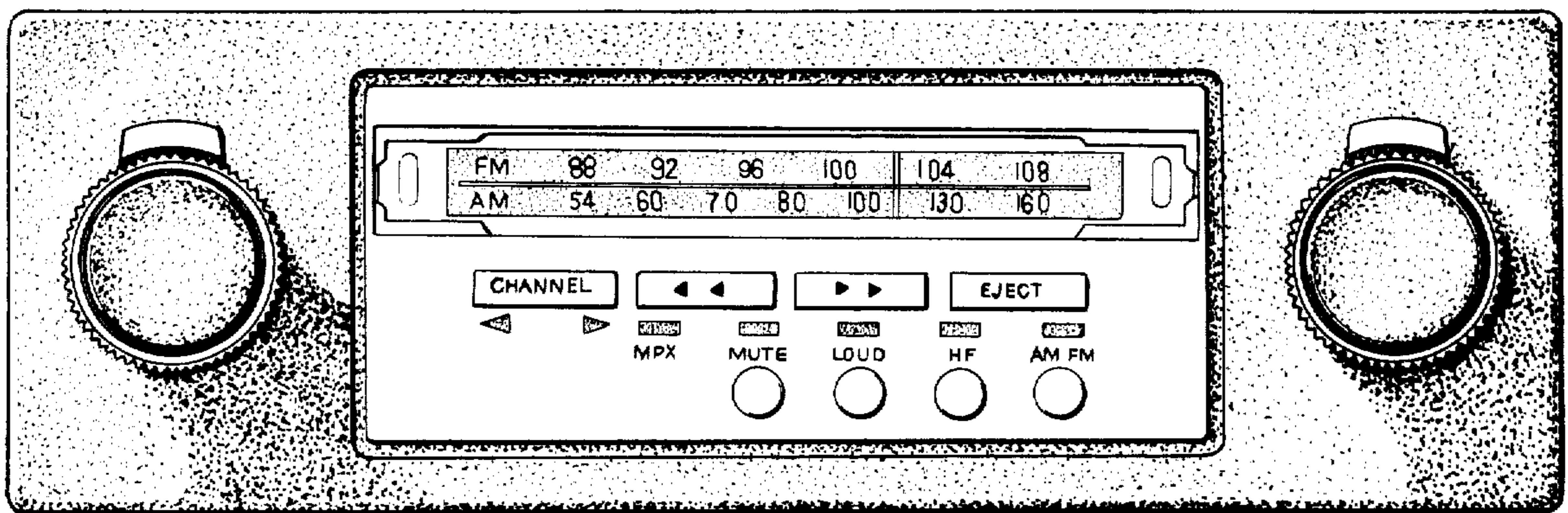
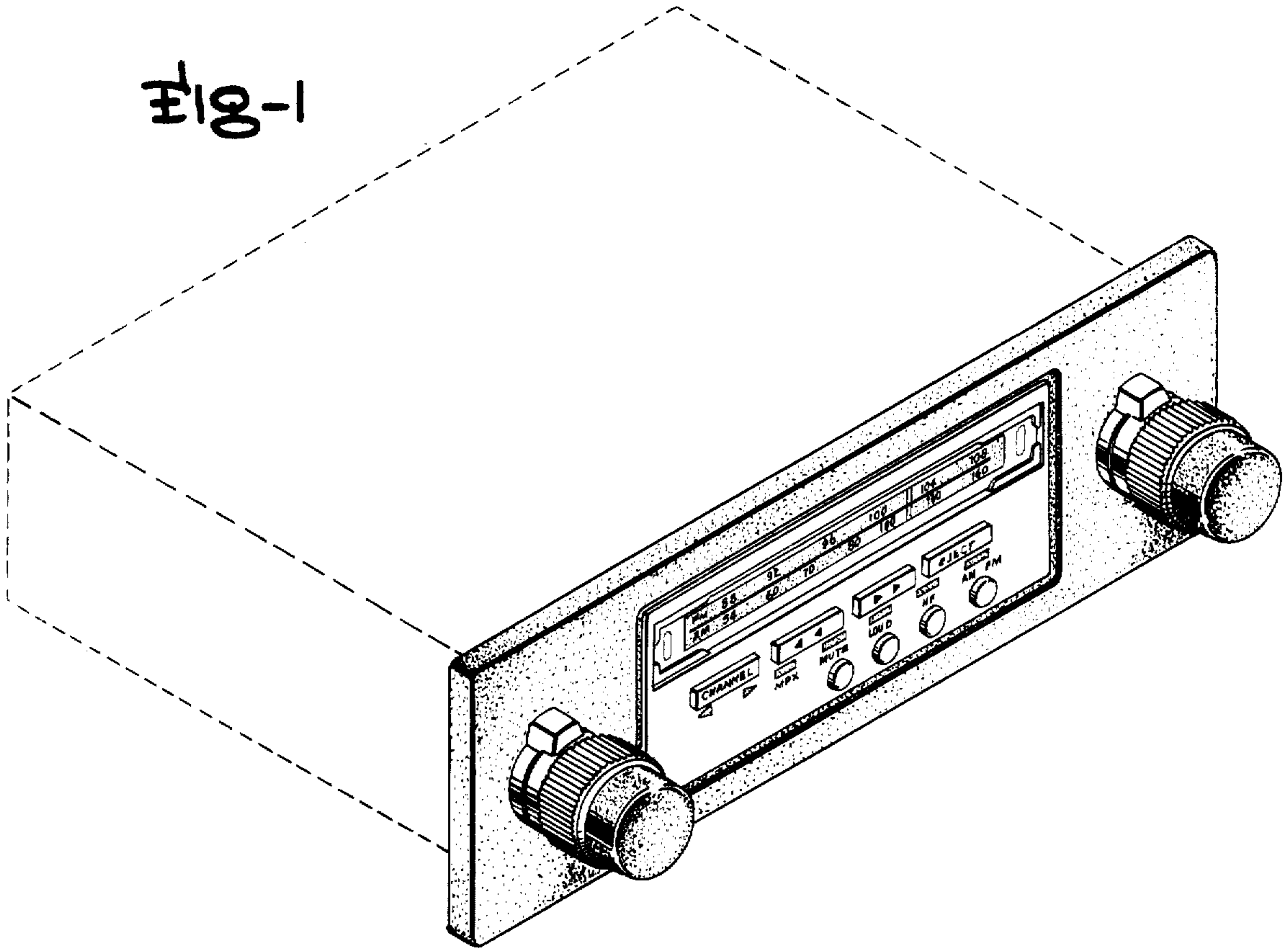


Fig-2

Fig-3

