

[54] CONTROL UNIT FOR A COMBINED AUTOMOBILE CASSETTE PLAYER, RADIO AND DIGITAL CLOCK

[75] Inventors: John F. Castagna, Brooklyn; Ronald A. Emmerling, New City, both of N.Y.

[73] Assignee: Sparkomatic Corporation, Milford, Pa.

[\*\*] Term: 14 Years

[21] Appl. No.: 85,032

[22] Filed: Oct. 15, 1979

[51] Int. Cl. D14-01; D14-03

[52] U.S. Cl. D14/10; D10/2; D10/15; D14/5; D14/7; D14/68; D14/76

[58] Field of Search D14/1, 5-7, D14/10, 68, 70-76, 99; D10/2, 15

[56] References Cited

U.S. PATENT DOCUMENTS

- D. 116,746 9/1939 Marholz ..... D14/76
- D. 255,900 7/1980 Ohta et al. .... D14/7 X

OTHER PUBLICATIONS

Sanyo Supplement to 1-13-77, *Home Furnishings Daily*, p. "5", Item #FT415.

Sanyo Supplement to *Home Furnishings Daily*, inside rear cover, Item #FT1876.

"Sound Gallery's 1979 Hi-Fi Handbook," p. 30, Sanyo Item #FT1495.

Primary Examiner—Jane E. Corrigan

Attorney, Agent, or Firm—Mason, Fenwick & Lawrence

[57] CLAIM

The ornamental design for a control unit for a combined automobile cassette player, radio and digital clock, as shown and described.

DESCRIPTION

FIG. 1 is a front, top and left side perspective view of a control unit for a combined automobile cassette player, radio and digital clock showing our new design in full lines, the broken line matter being for illustrative purposes only and forming no part of the claimed design; FIG. 2 is a front elevational view; and FIG. 3 is a right side elevational view. The rear of the control unit is conventional.

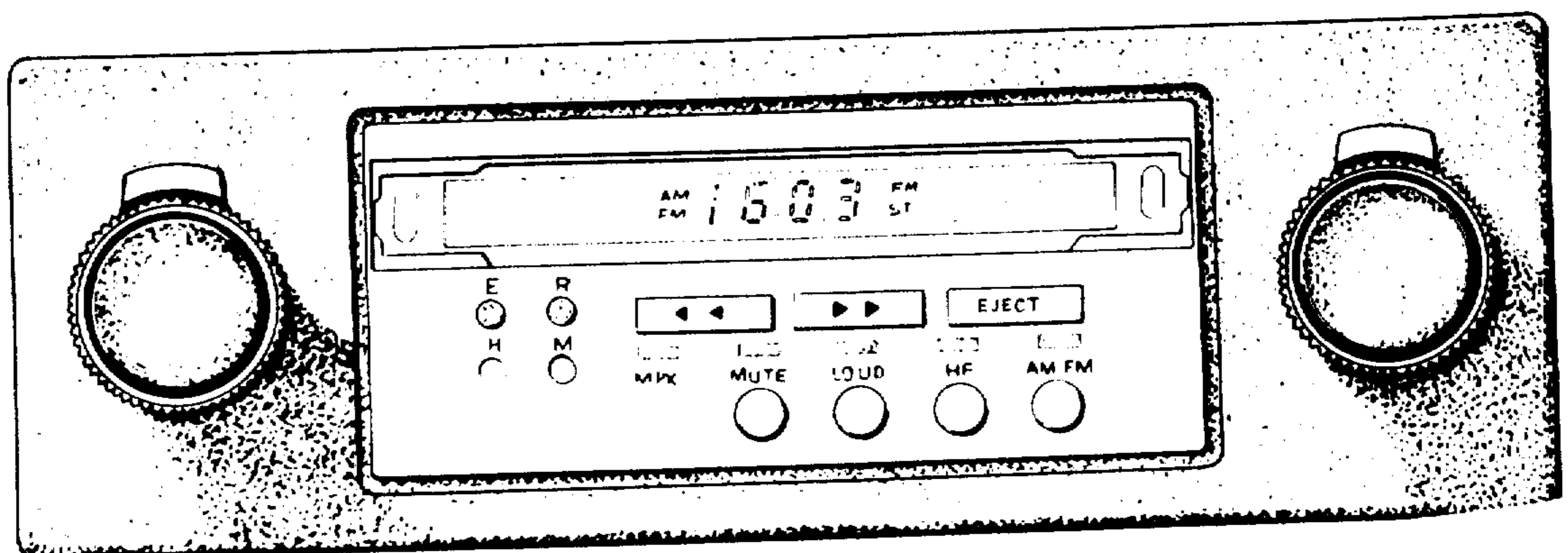


Fig-1

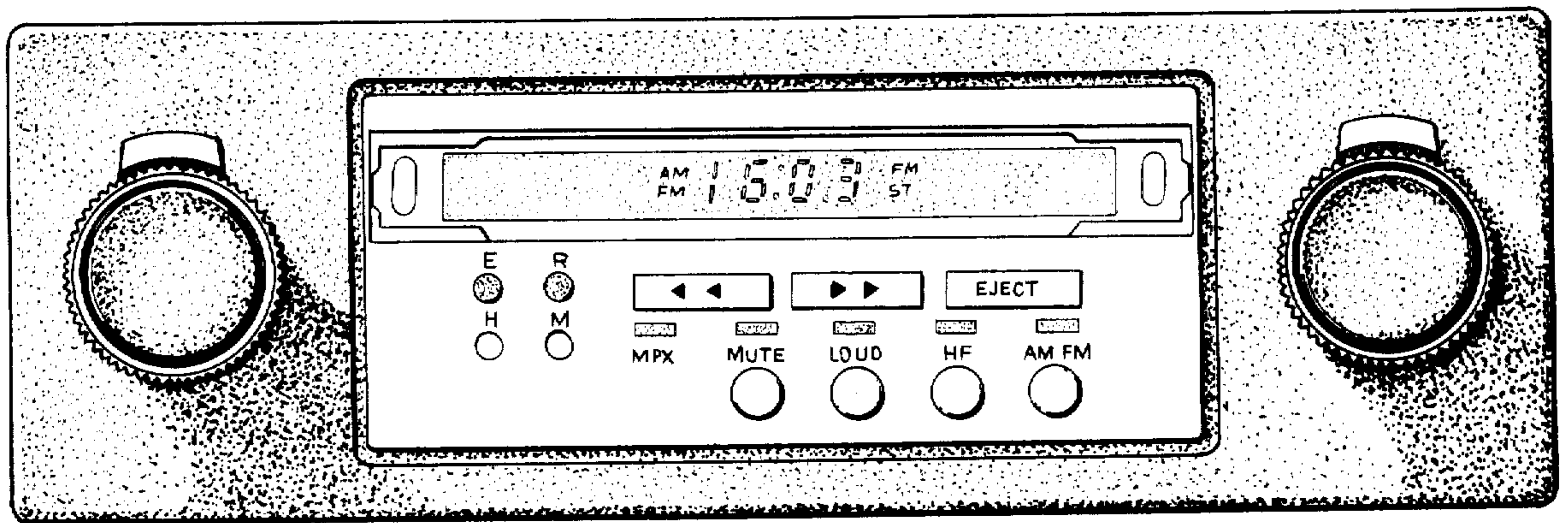
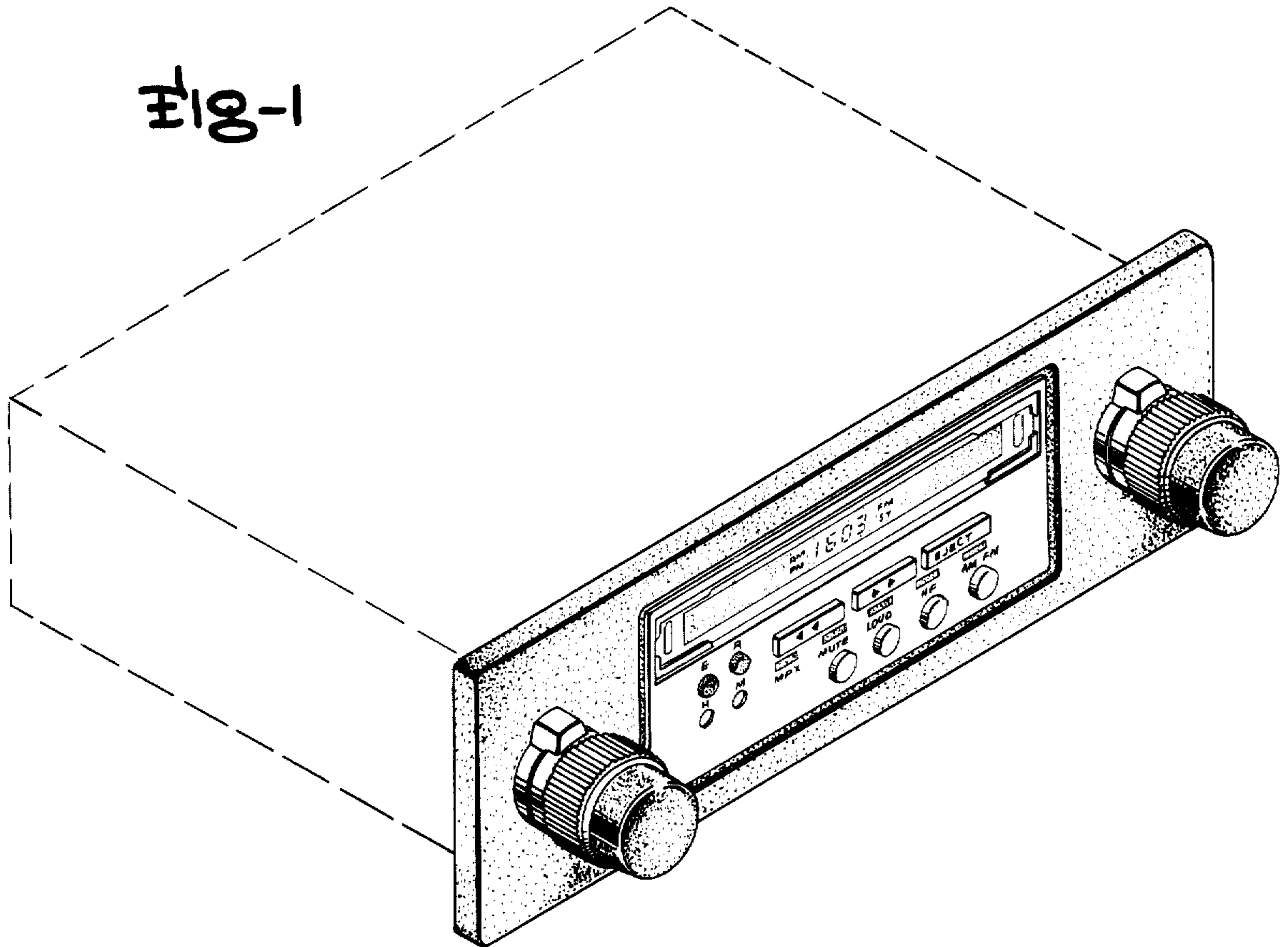


Fig-2

Fig-3

