

[54] **SKI BOAT CONSOLE**

[75] Inventor: **Robert L. Shirley, Maryville, Tenn.**

[73] Assignee: **Master Craft Boat Company, Maryville, Tenn.**

[**] Term: **14 Years**

[21] Appl. No.: **824,967**

[22] Filed: **Aug. 15, 1977**

[51] Int. Cl. **D12-06**
[52] U.S. Cl. **D12/317**
[58] Field of Search **D12/62, 70, 66**

[56]

References Cited

U.S. PATENT DOCUMENTS

D. 245,409 8/1977 Bostic et al. D12/62
D. 246,234 11/1977 Whitley et al. D12/62

Primary Examiner—Alan P. Douglas

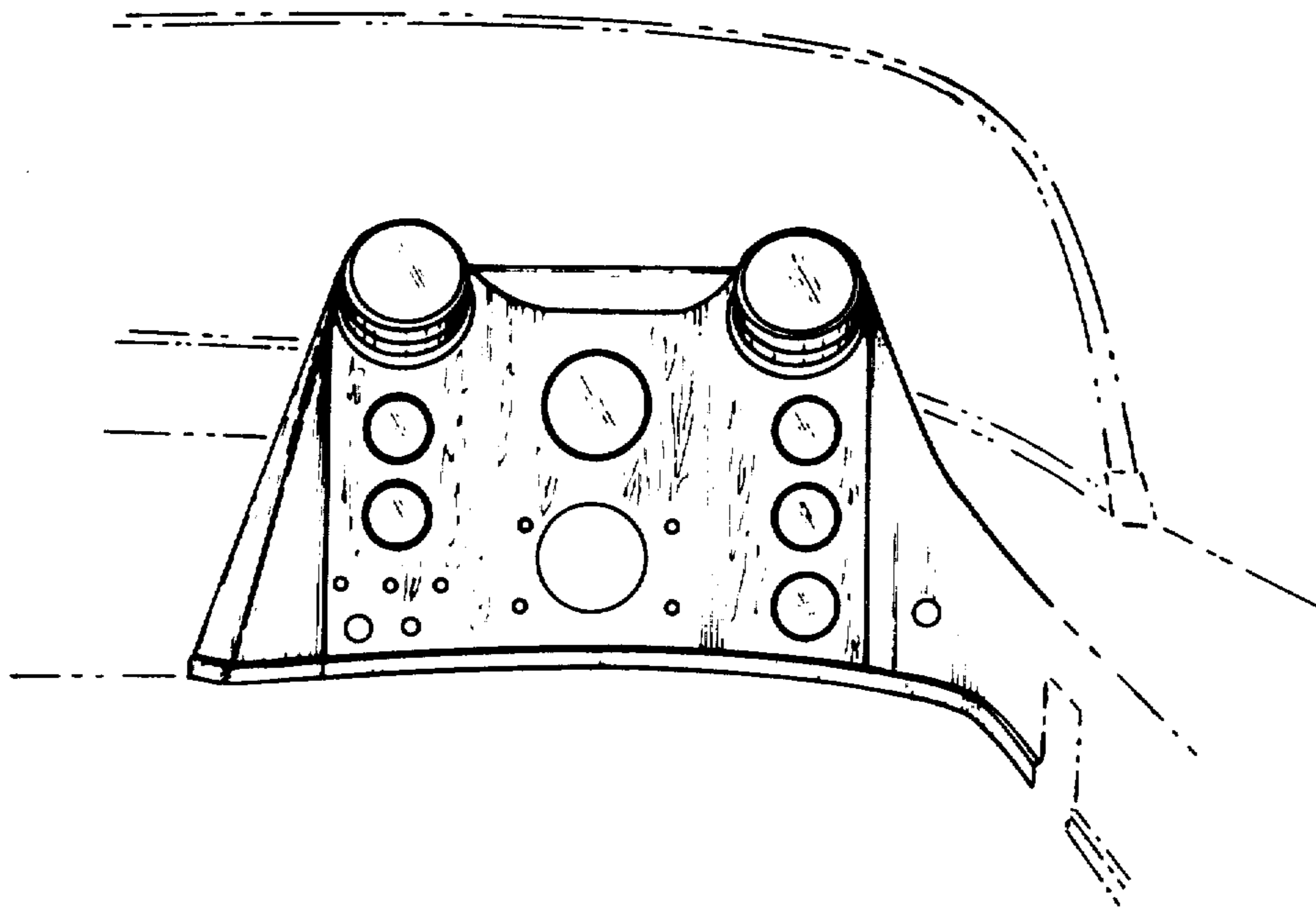
[57]

CLAIM

The ornamental design of a ski boat console, as shown.

DESCRIPTION

FIG. 1 is an enlarged elevational view of the front side of a ski boat console showing my new design; FIG. 2 is an elevational view of the rear side thereof; FIG. 3 is an elevational view of the right side thereof; FIG. 4 is an elevational view of the left side thereof; and, FIG. 5 is an elevational view of the top side thereof.



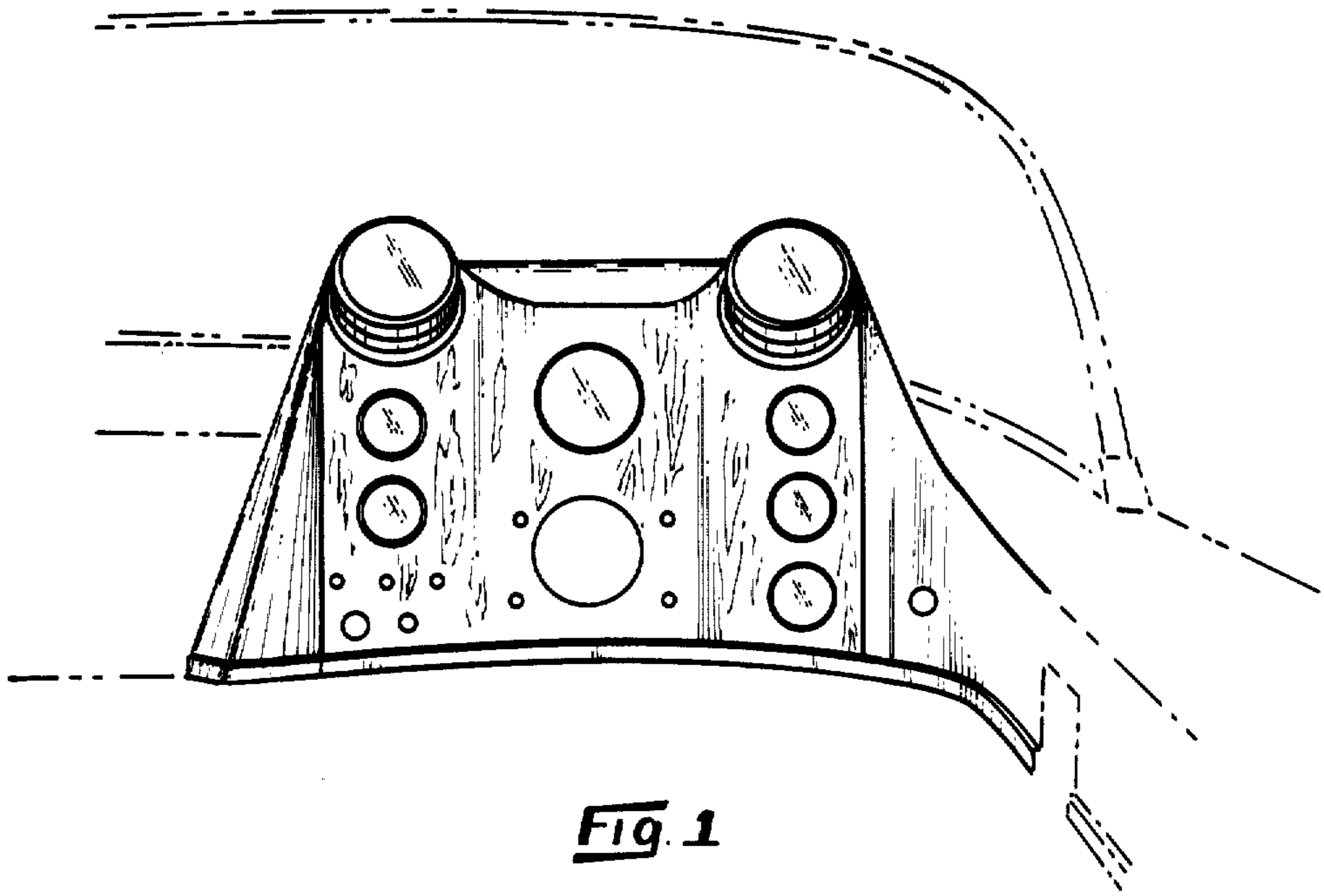


Fig. 1

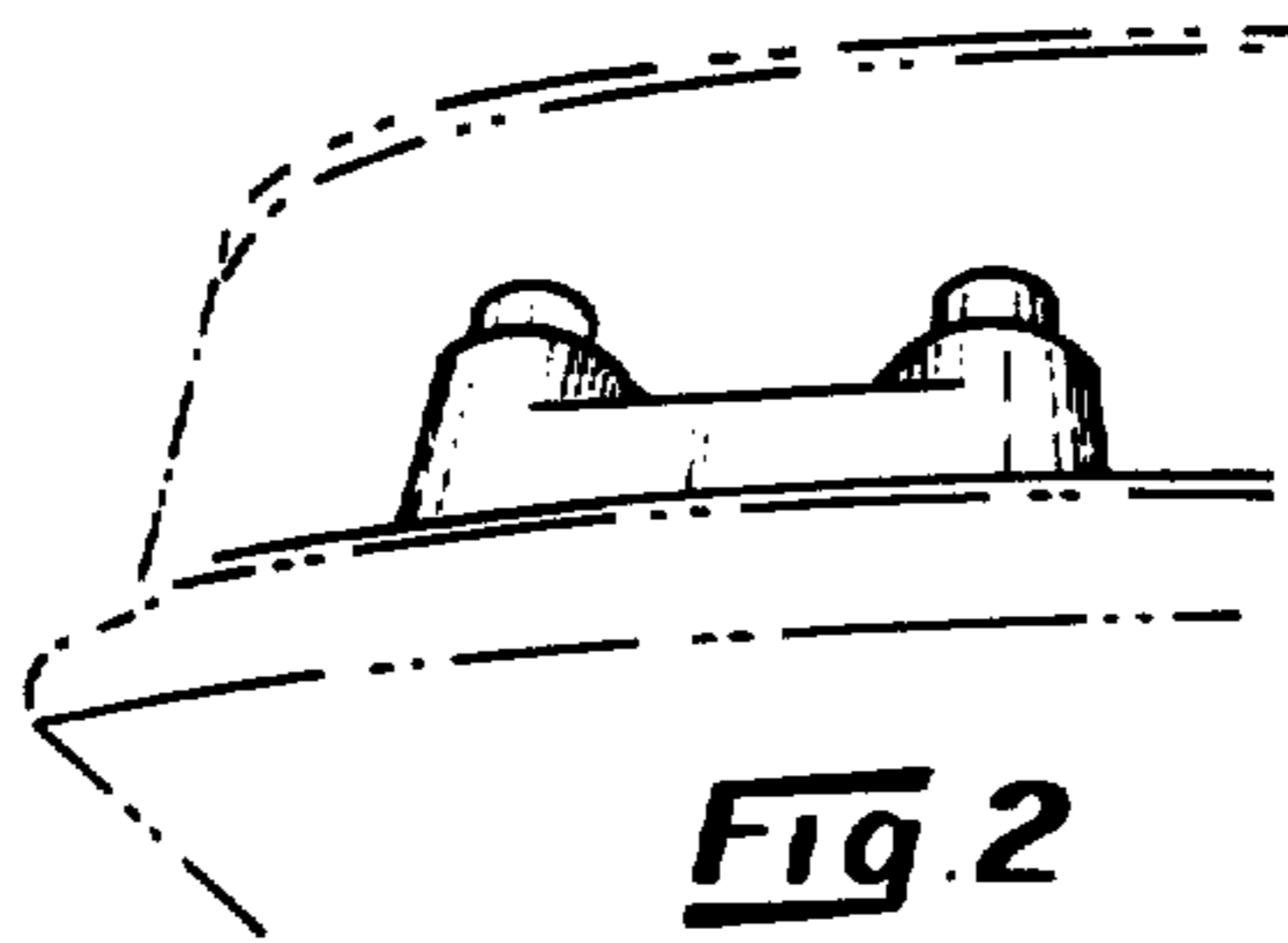


Fig. 2

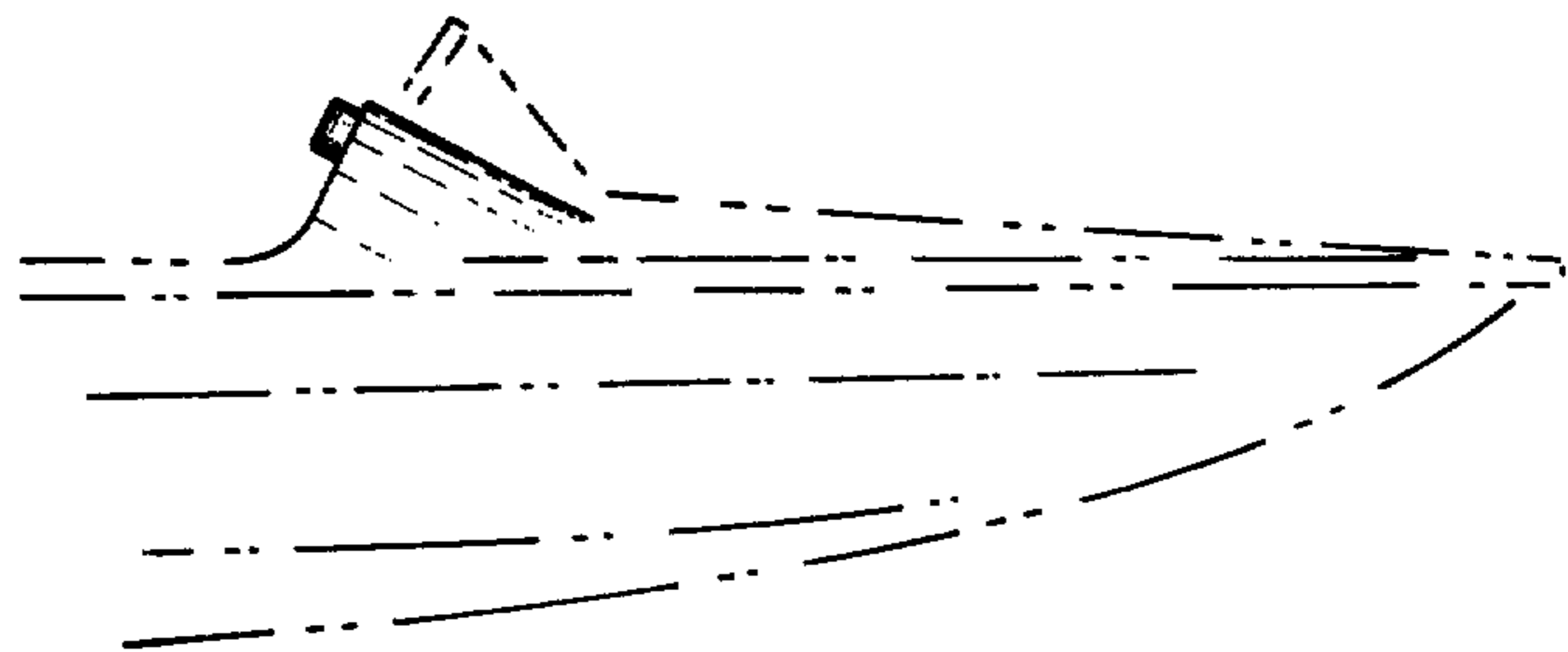


Fig. 3

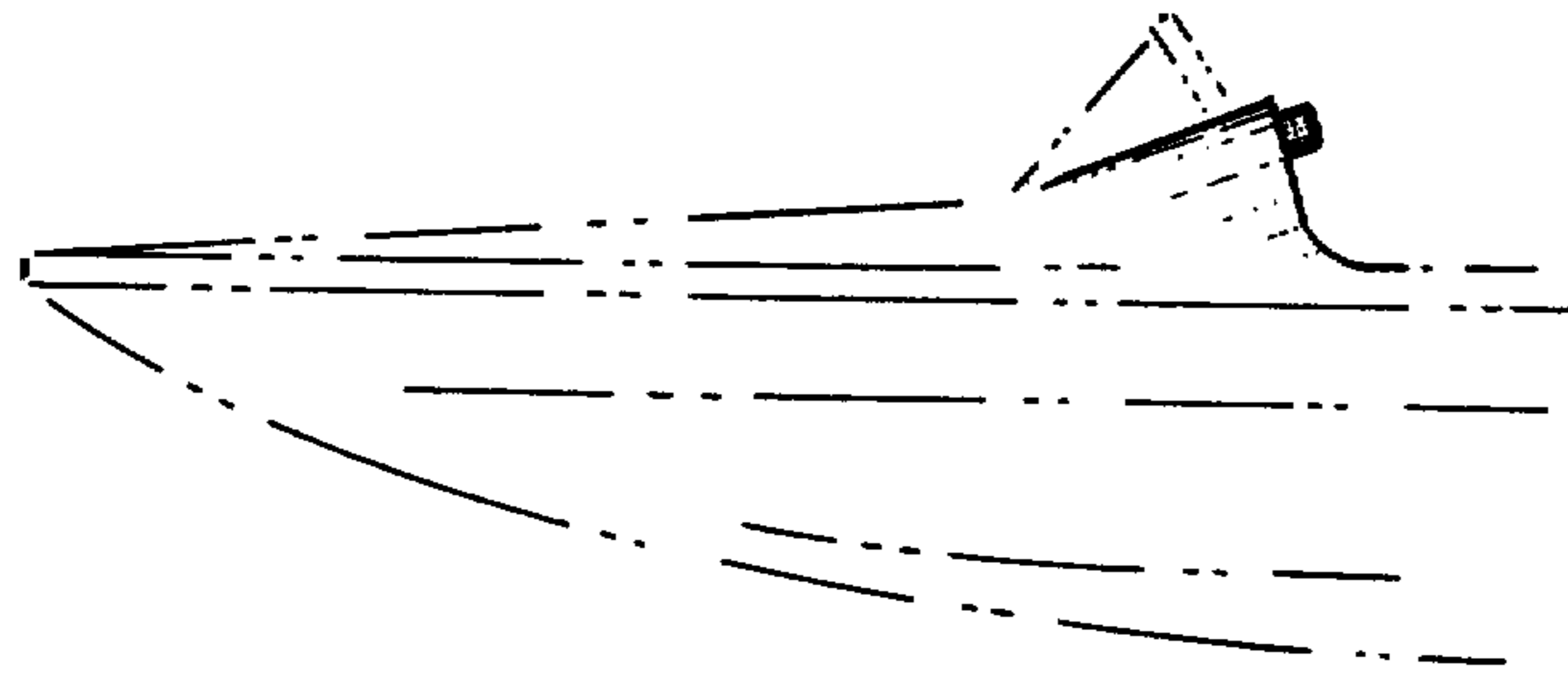


Fig. 4

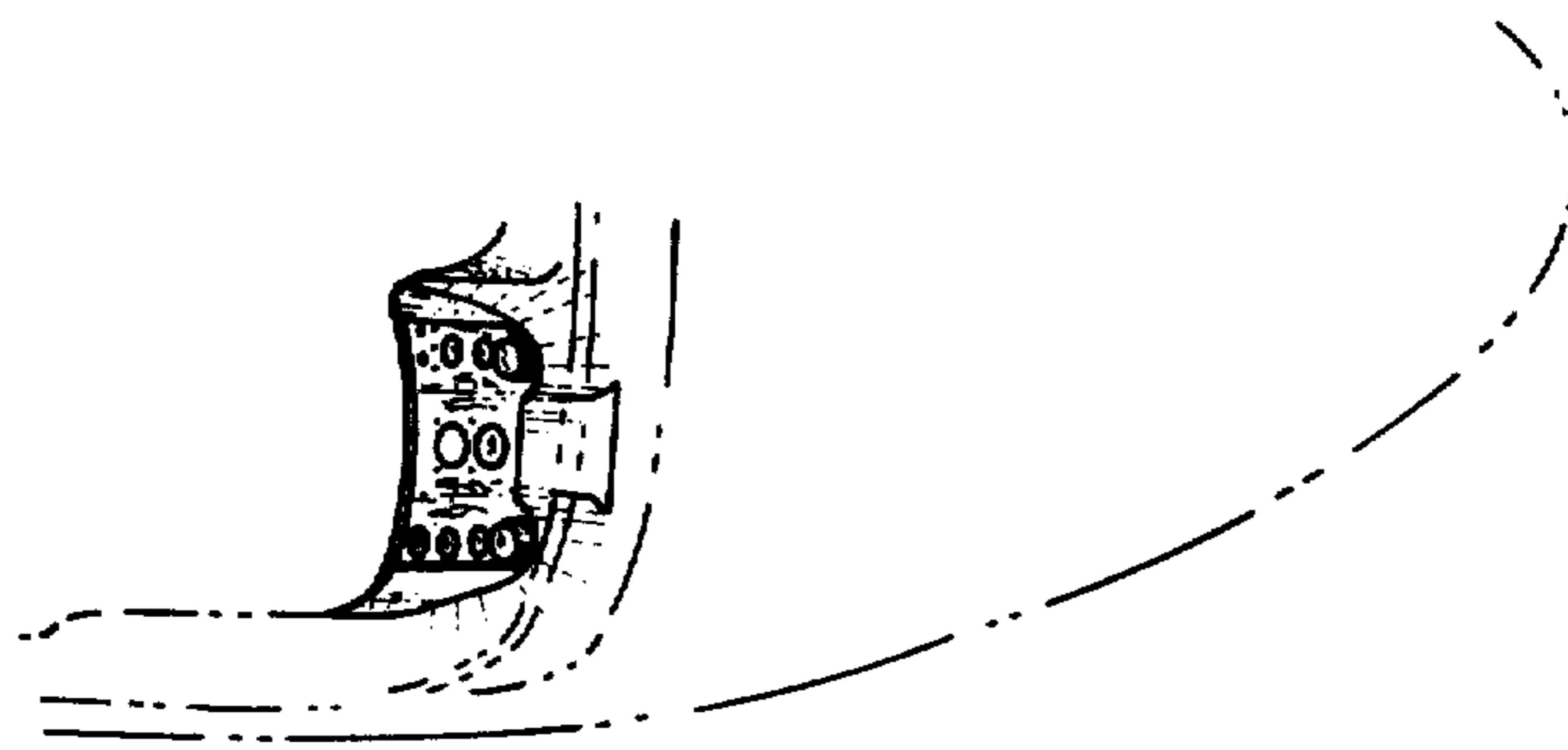


Fig. 5