

[54] COMBINED WINCH AND SUPPORT FOR  
SECURING A LADDER

[76] Inventor: Ray A. Gunnels, P.O. Box 12406,  
Fresno, Calif. 93777

[\*\*] Term: 14 Years

[21] Appl. No.: 934,640

[22] Filed: Aug. 17, 1978

[51] Int. Cl. .... D12-05

[52] U.S. Cl. .... D12/54

[58] Field of Search ..... D12/53, 54; 254/145,  
254/146; 182/101-103; 187/10, 11

[56] References Cited

U.S. PATENT DOCUMENTS

3,666,054 5/1972 Ellings et al. .... 182/103  
4,128,228 12/1978 Ziegelmann ..... 254/139.1

OTHER PUBLICATIONS

Agile Equipment Dist. Catalog, ©1972, p. 64, Item 3  
Winch, upper left side of page.

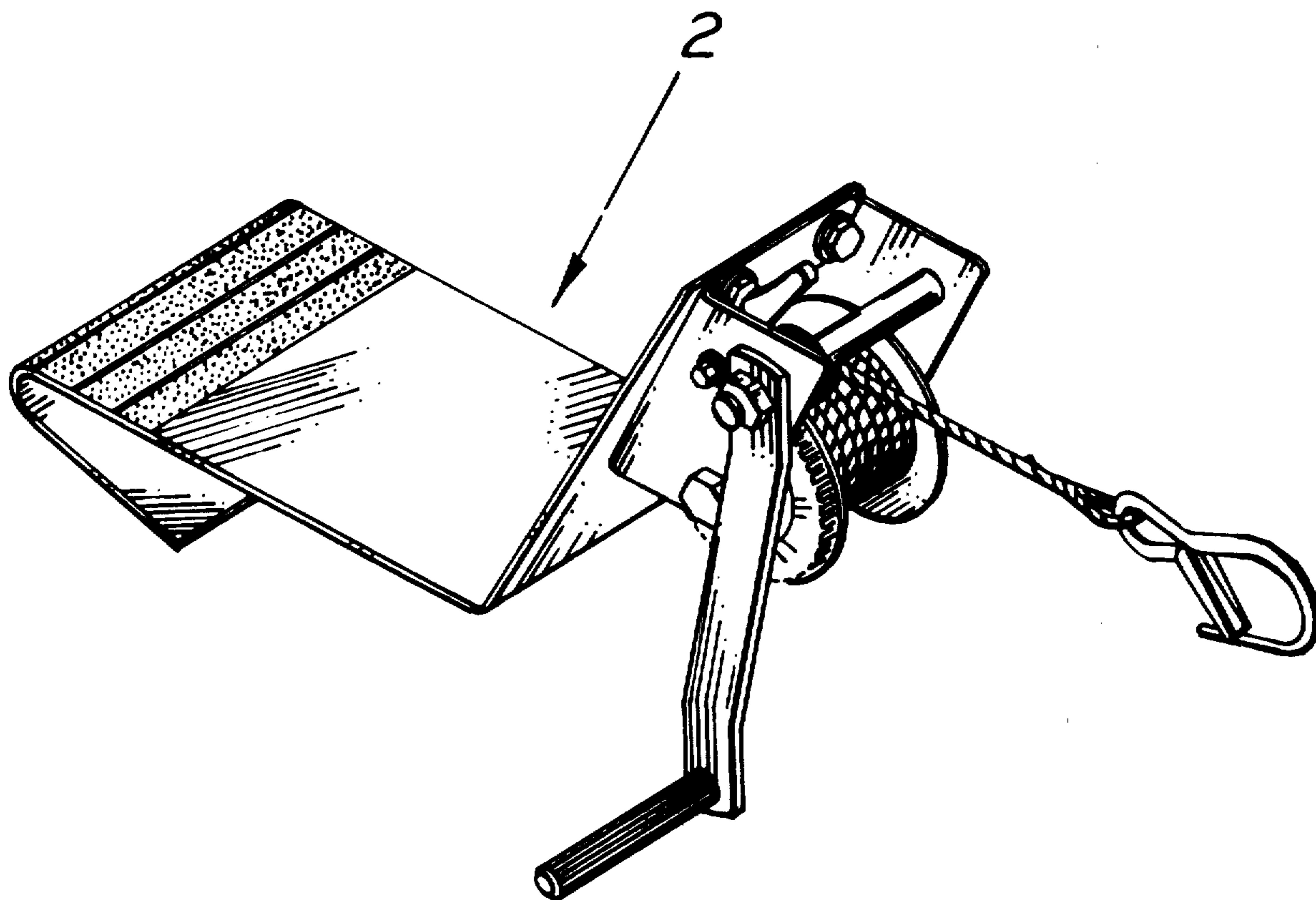
Primary Examiner—James M. Gandy  
Attorney, Agent, or Firm—John H. Crowe

[57] CLAIM

The ornamental design for a combined winch and support for securing a ladder, substantially as shown and described.

DESCRIPTION

FIG. 1 is a perspective view of a combined winch and support for securing a ladder showing my new design; FIG. 2 is a front elevational view thereof on a reduced scale looking in the direction of arrow 2 in FIG. 1 with the crank handle in an alternative position; FIG. 3 is a right side elevational view of FIG. 2; FIG. 4 is a rear elevational view of FIG. 2; FIG. 5 is a left side elevational view of FIG. 2; FIG. 6 is a bottom plan view of FIG. 2; and FIG. 7 is a top plan view of FIG. 2.



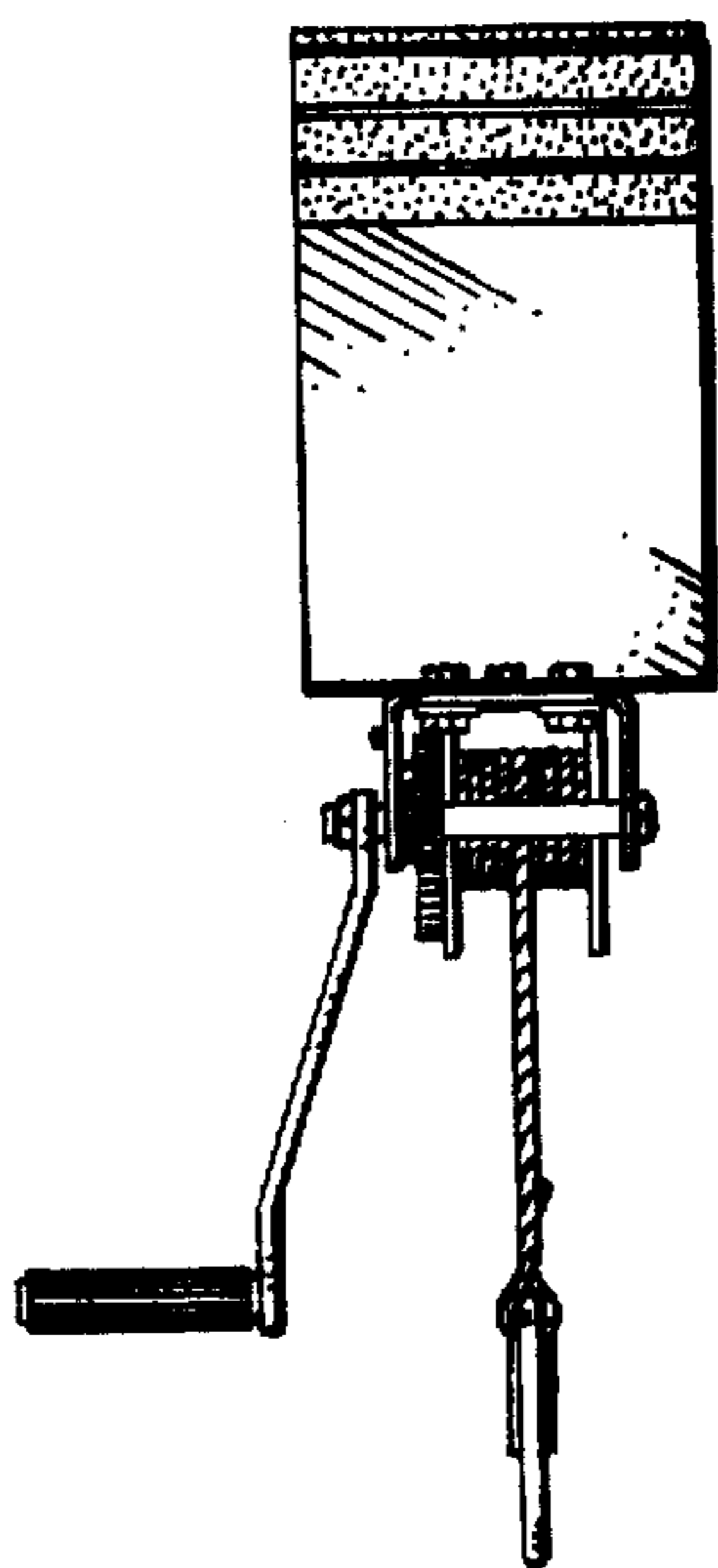
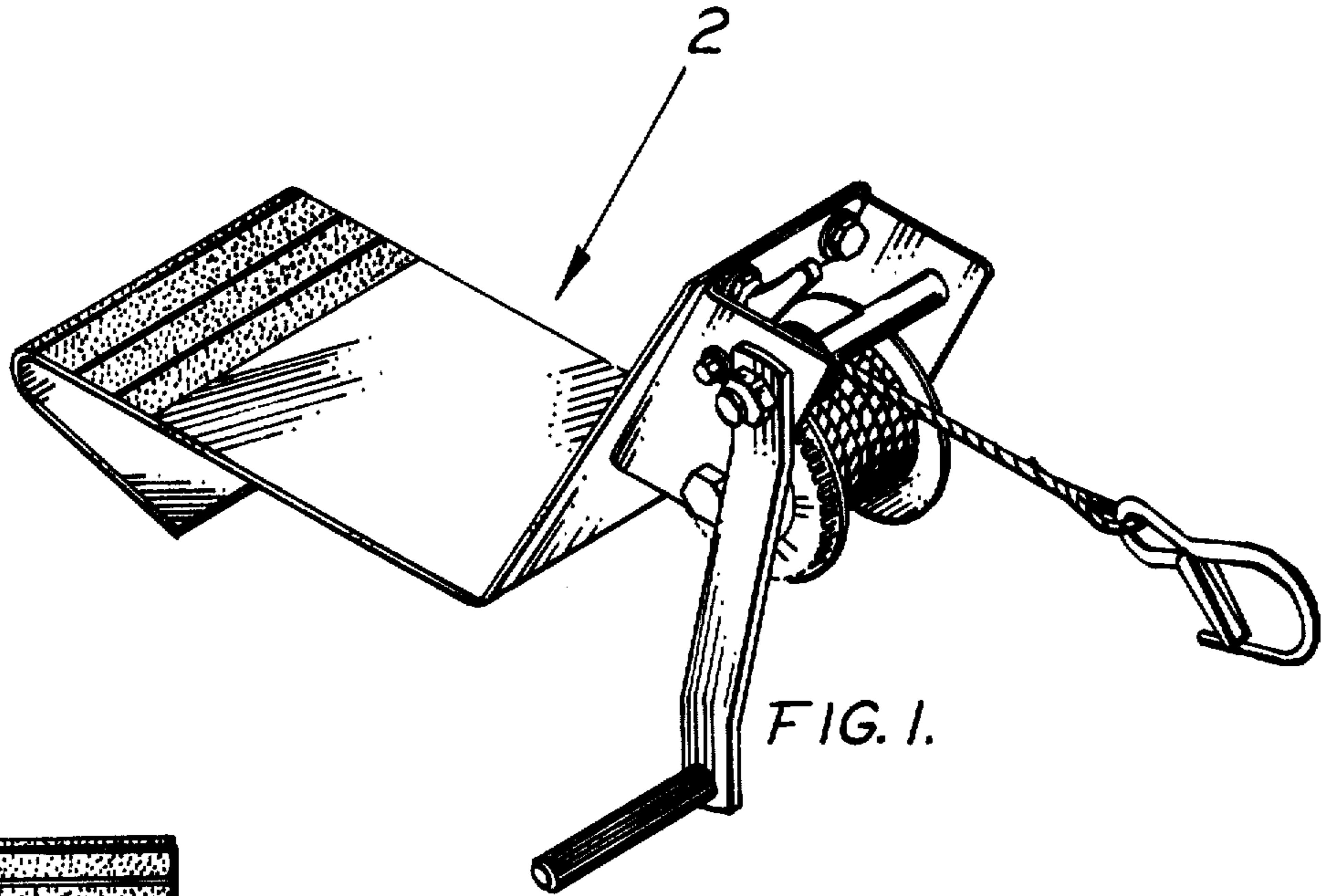


FIG. 2.

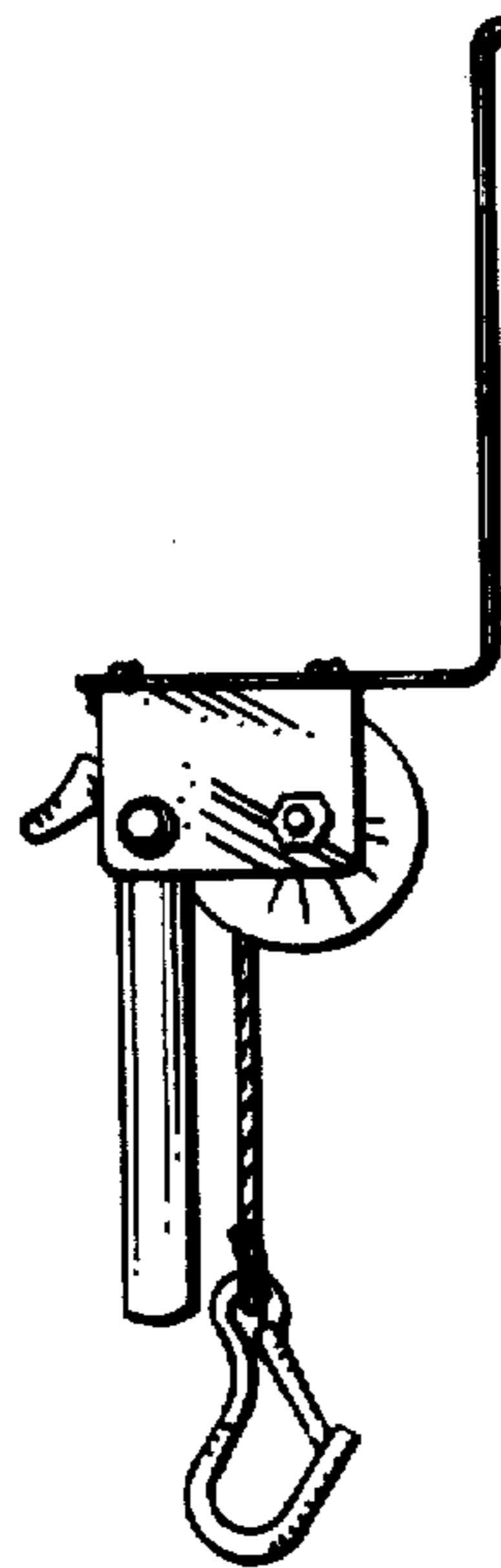


FIG. 3.

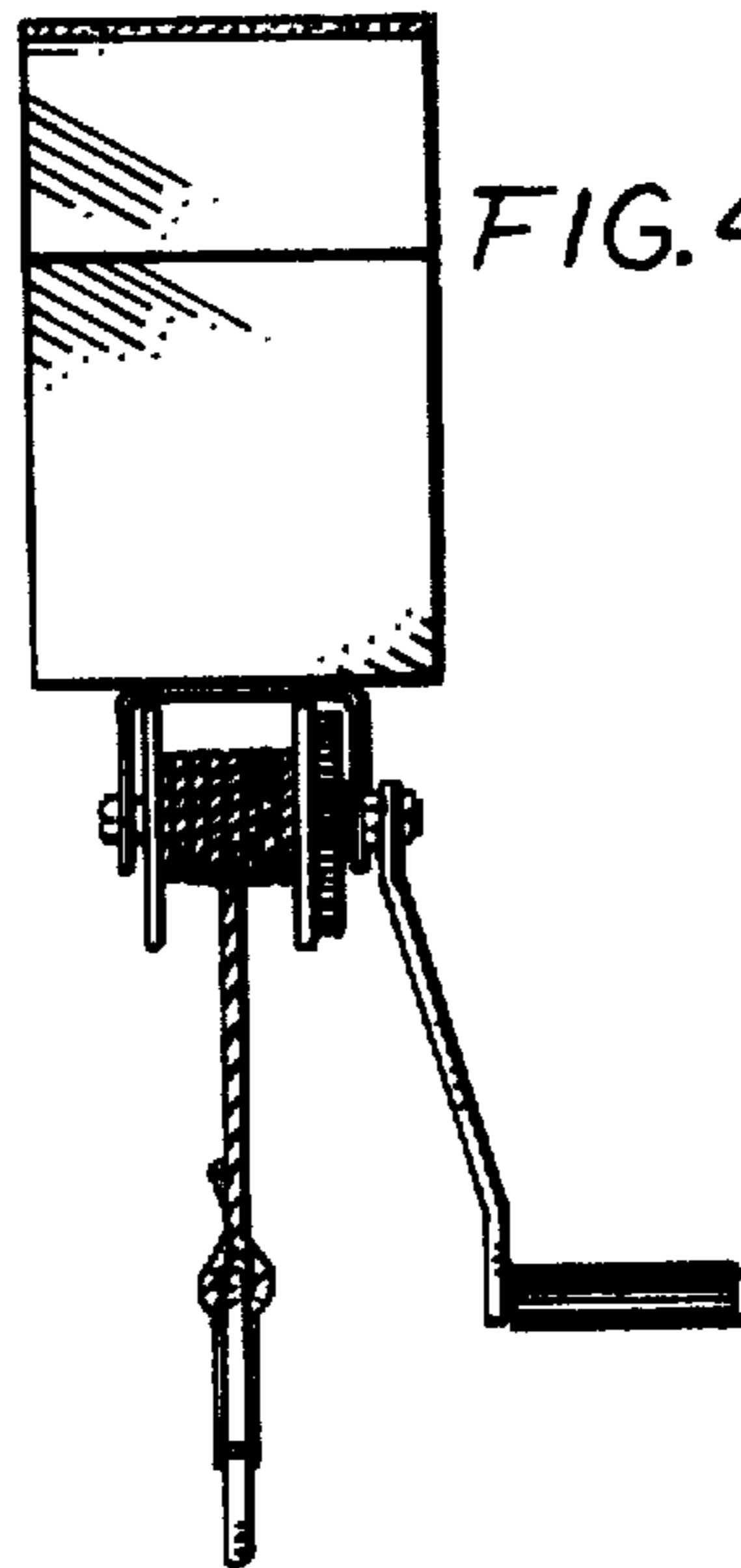


FIG. 4.

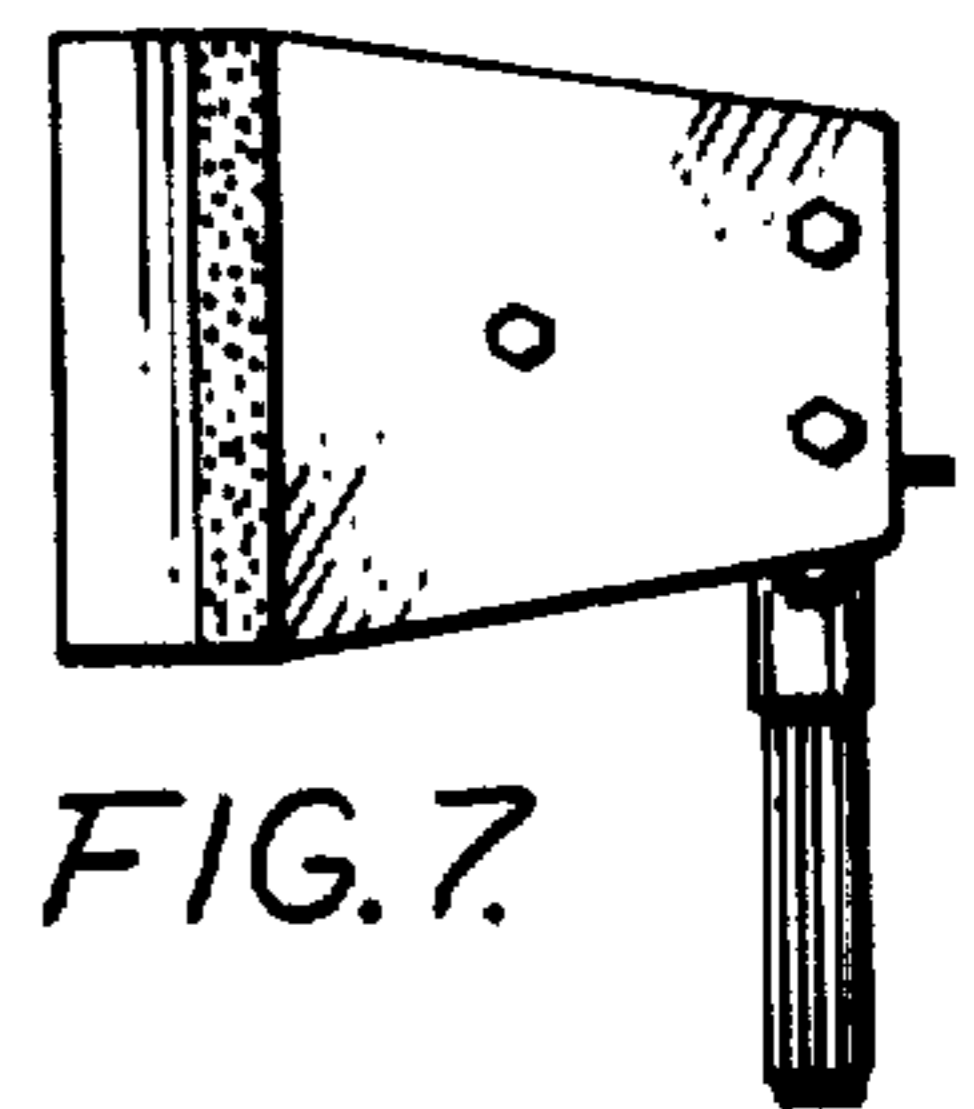


FIG. 7.

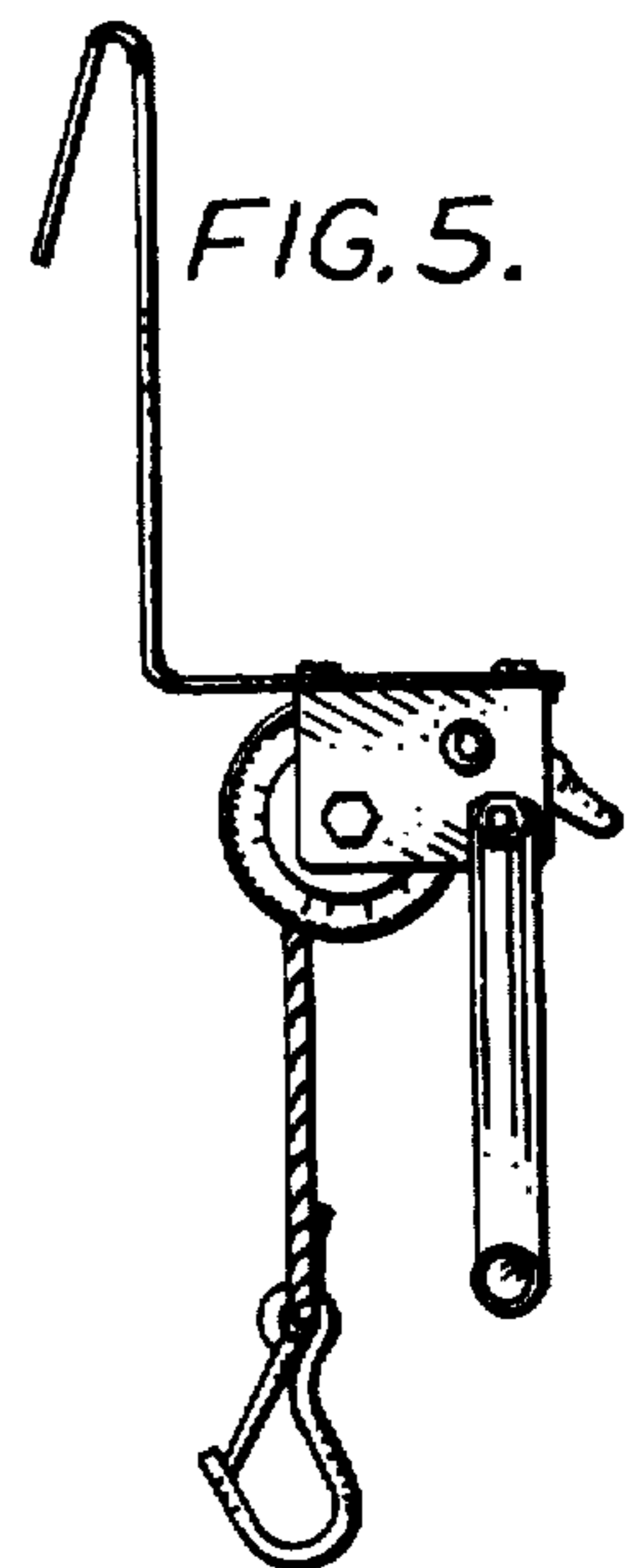


FIG. 5.

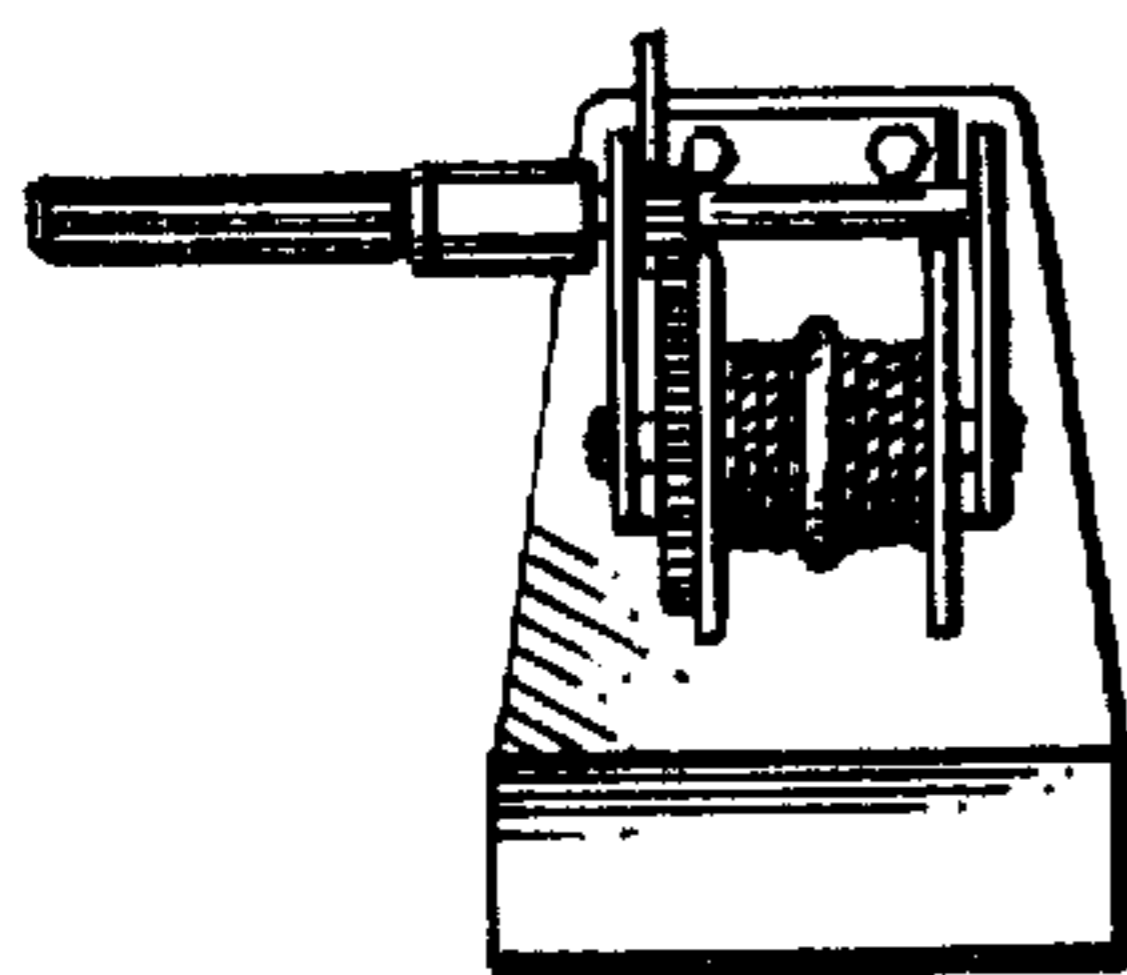


FIG. 6.