

[54] CART FOR FIREWOOD OR THE LIKE

[76] Inventor: Morris Partain, 1403 Circle Dr., Cooper, Tex. 75432

[**] Term: 14 Years

[21] Appl. No.: 13,061

[22] Filed: Feb. 21, 1979

[51] Int. Cl. D12-02

[52] U.S. Cl. D12/32; D12/24

[58] Field of Search D12/24, 32, 33, 34; D7/206, 212; 280/47.26, 47.34, 79.2

[56] References Cited

U.S. PATENT DOCUMENTS

D. 202,458	9/1965	Cain	D12/33
1,970,727	8/1934	Bates	280/47.26
2,189,079	2/1940	Mueller et al.	D12/24

OTHER PUBLICATIONS

1977 Sears Spring & Summer Catalog, p. 725, 5½ Cubic Foot Garden Cart, bottom right side of page.

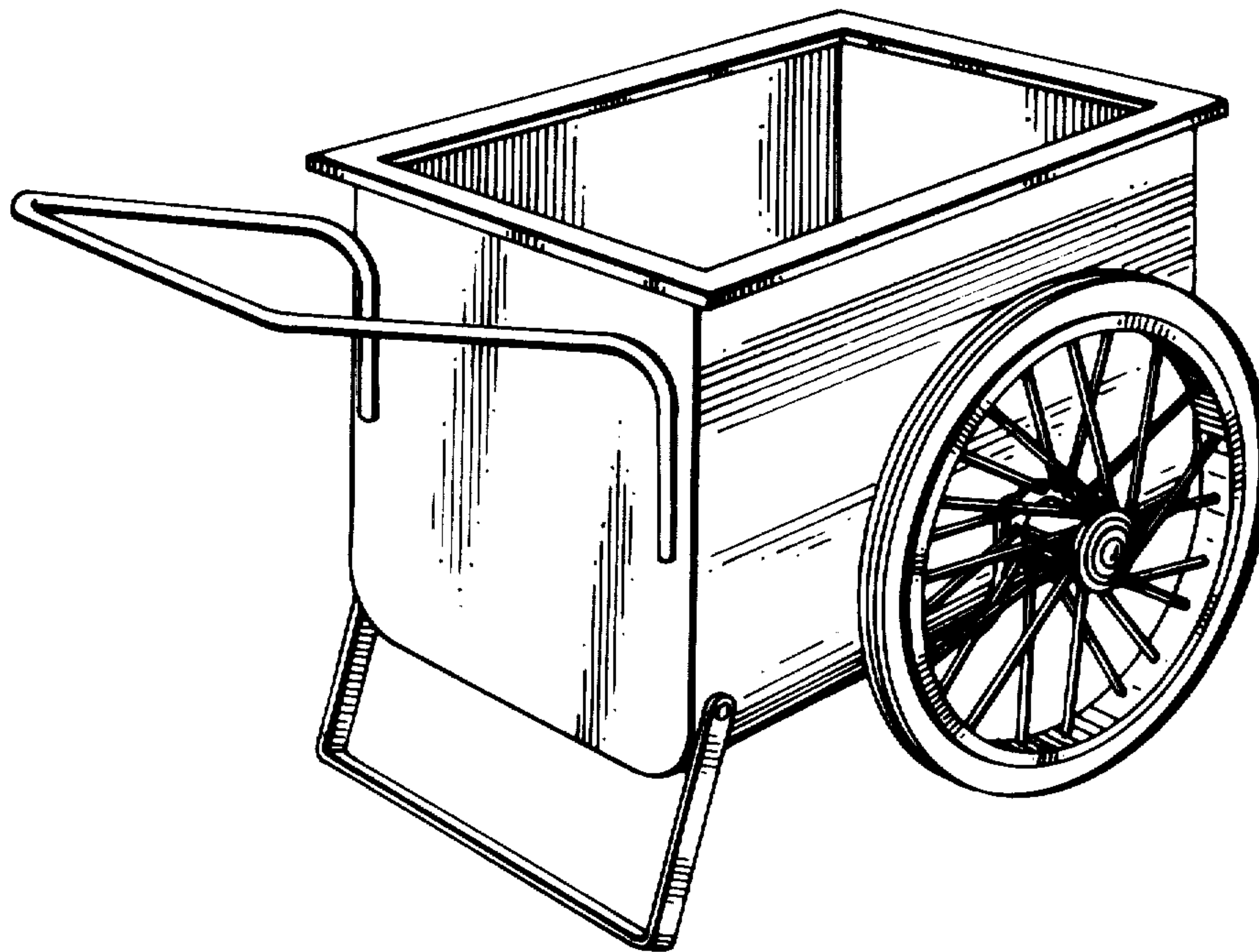
Primary Examiner—James M. Gandy
Attorney, Agent, or Firm—Thomas L. Cantrell; Joseph H. Schley; Stanley R. Moore

[57] CLAIM

The ornamental design for a cart for firewood or the like, as shown.

DESCRIPTION

FIG. 1 is a rear perspective view of the cart for firewood or the like;
FIG. 2 is a side elevational view;
FIG. 3 is a front elevational view;
FIG. 4 is a rear elevational view;
FIG. 5 is a top plan view; and
FIG. 6 is a bottom plan view.



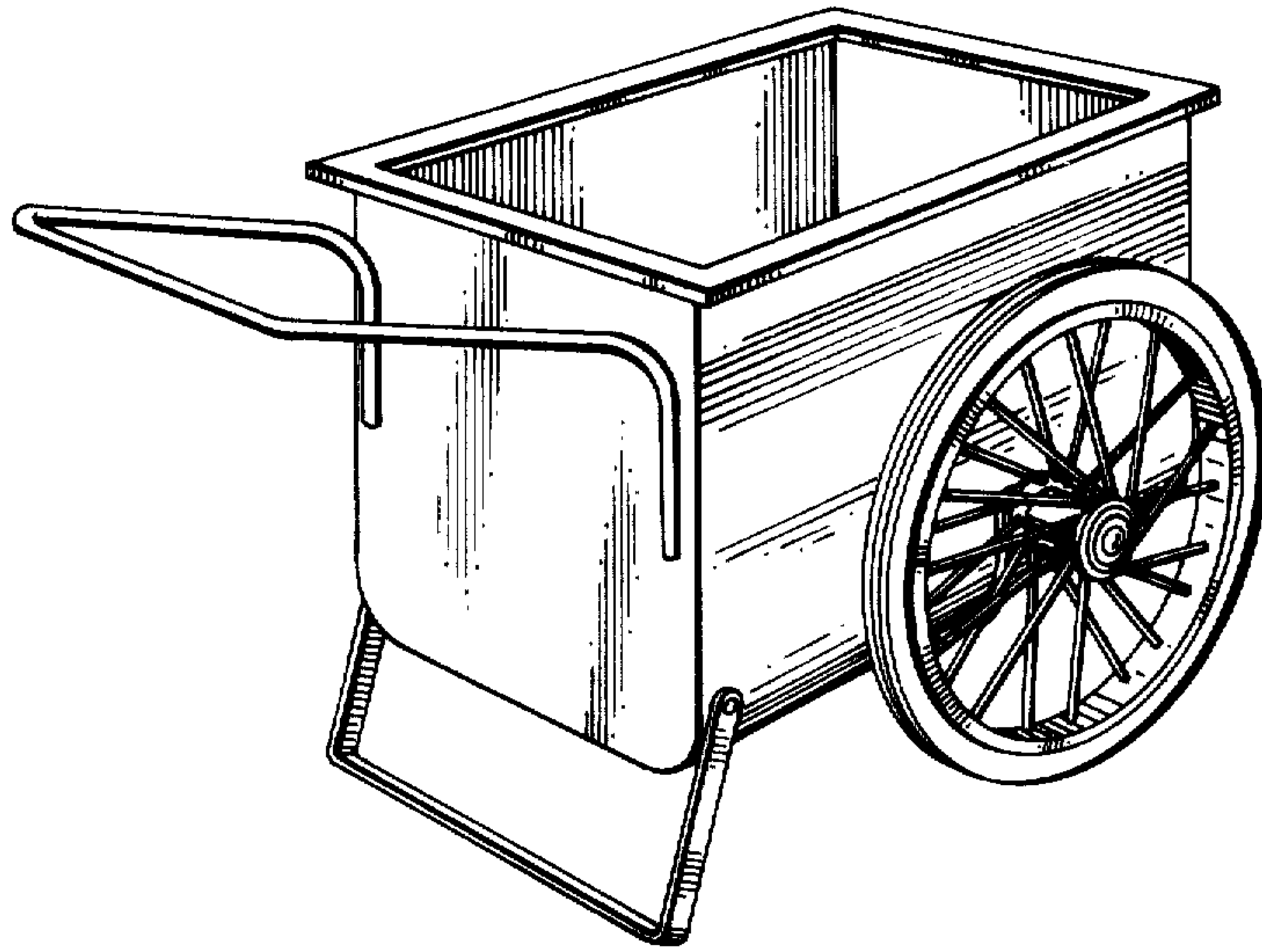


FIG. 1

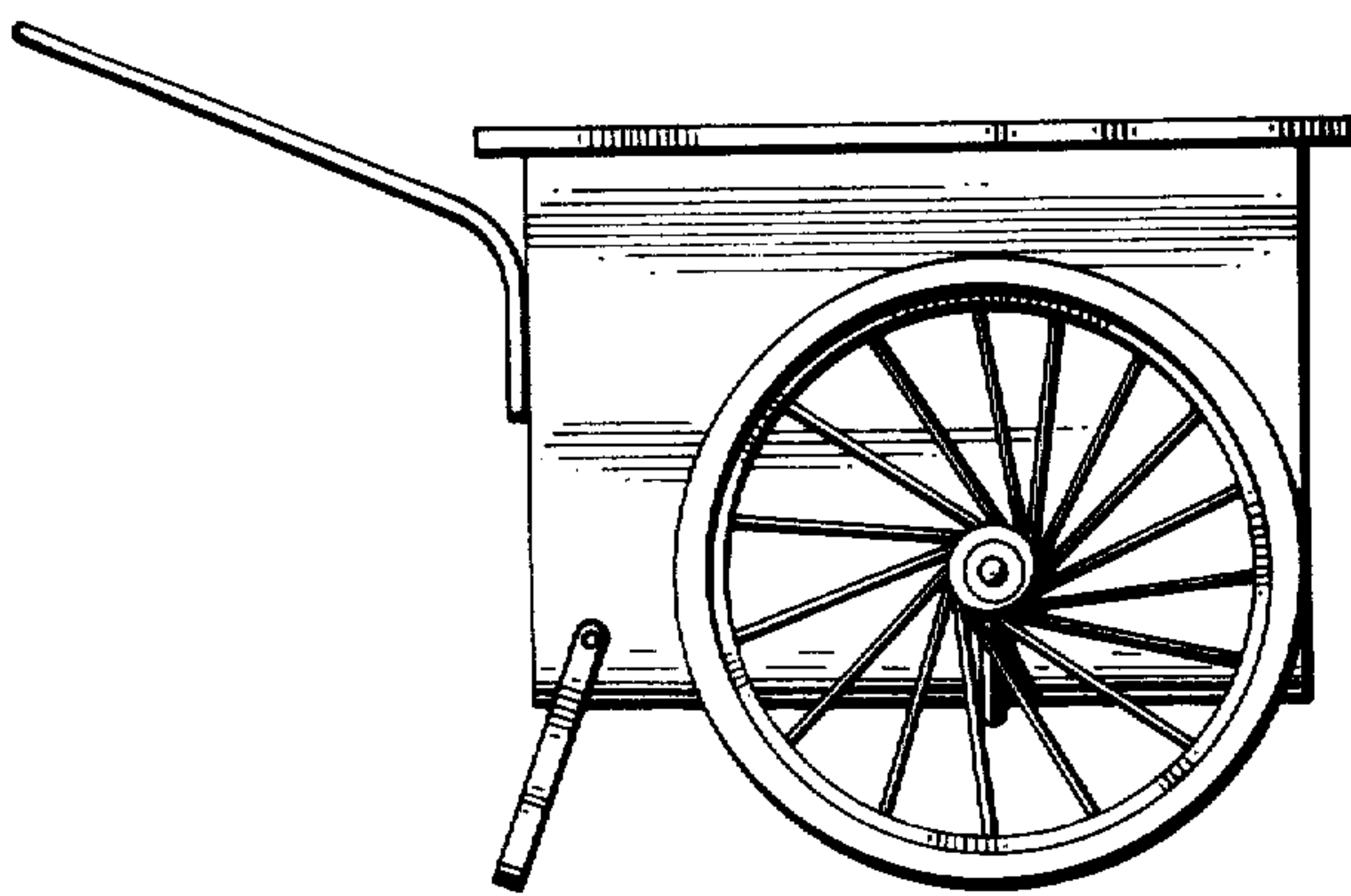


FIG. 2

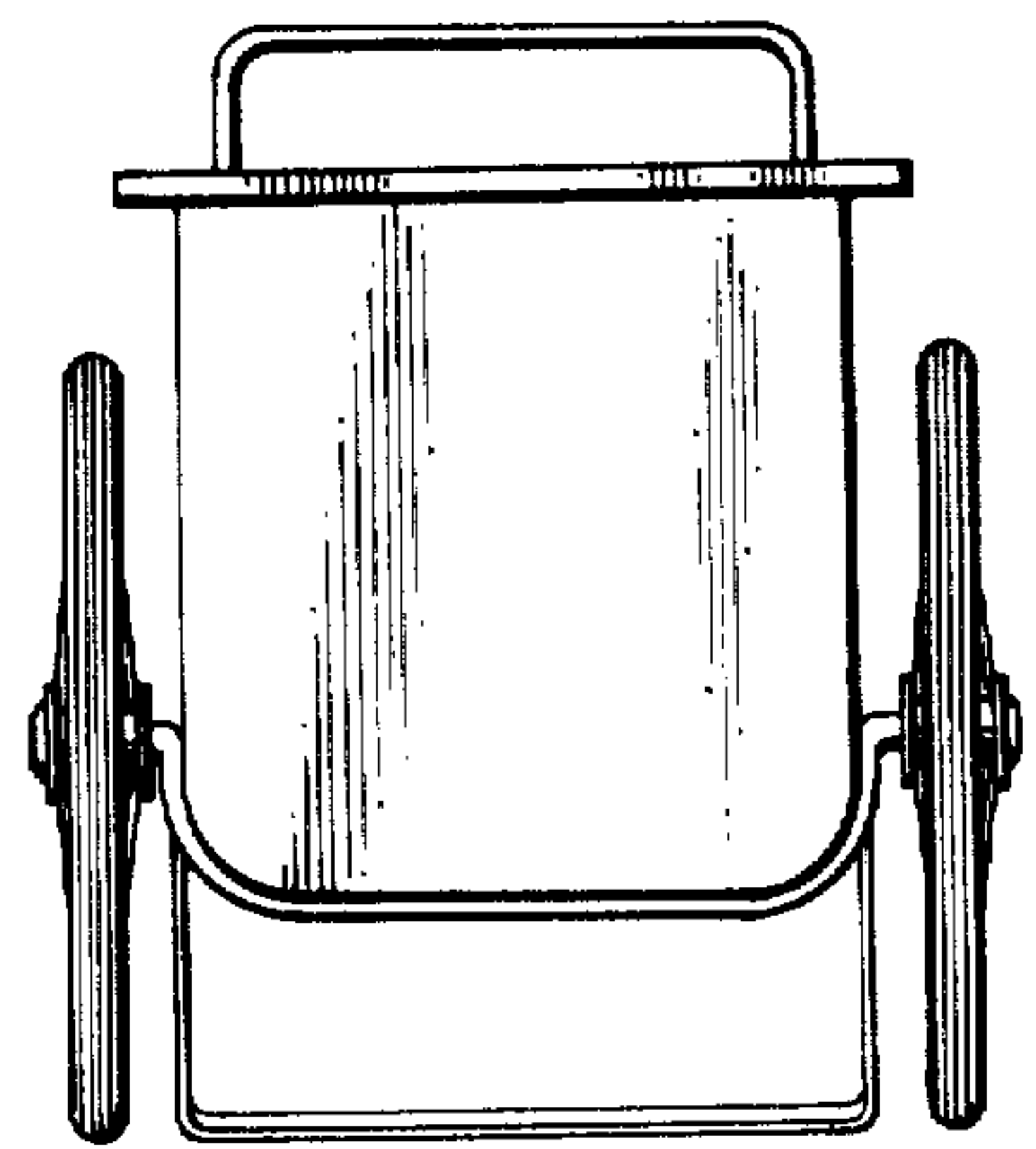


FIG. 3

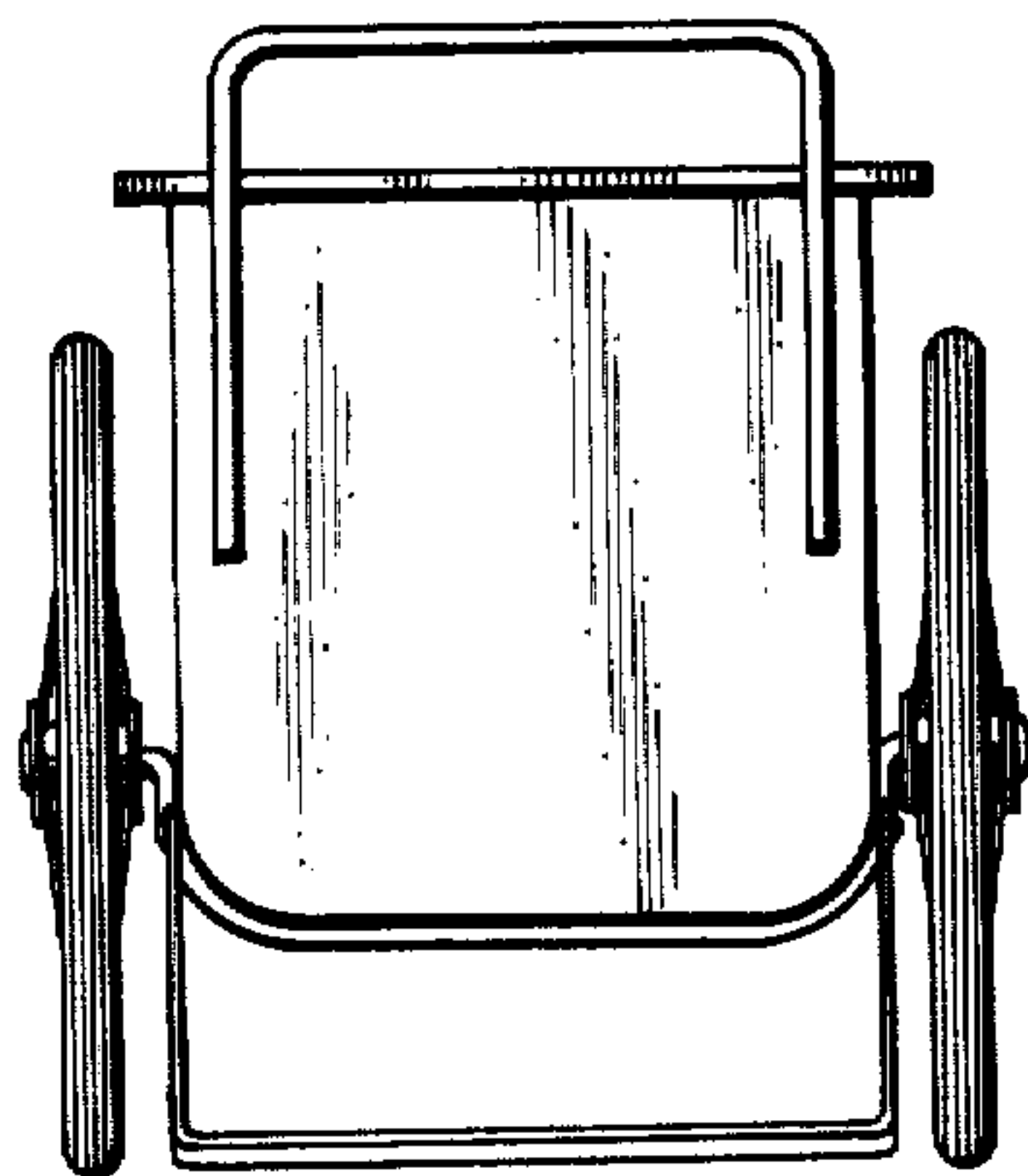


FIG. 4

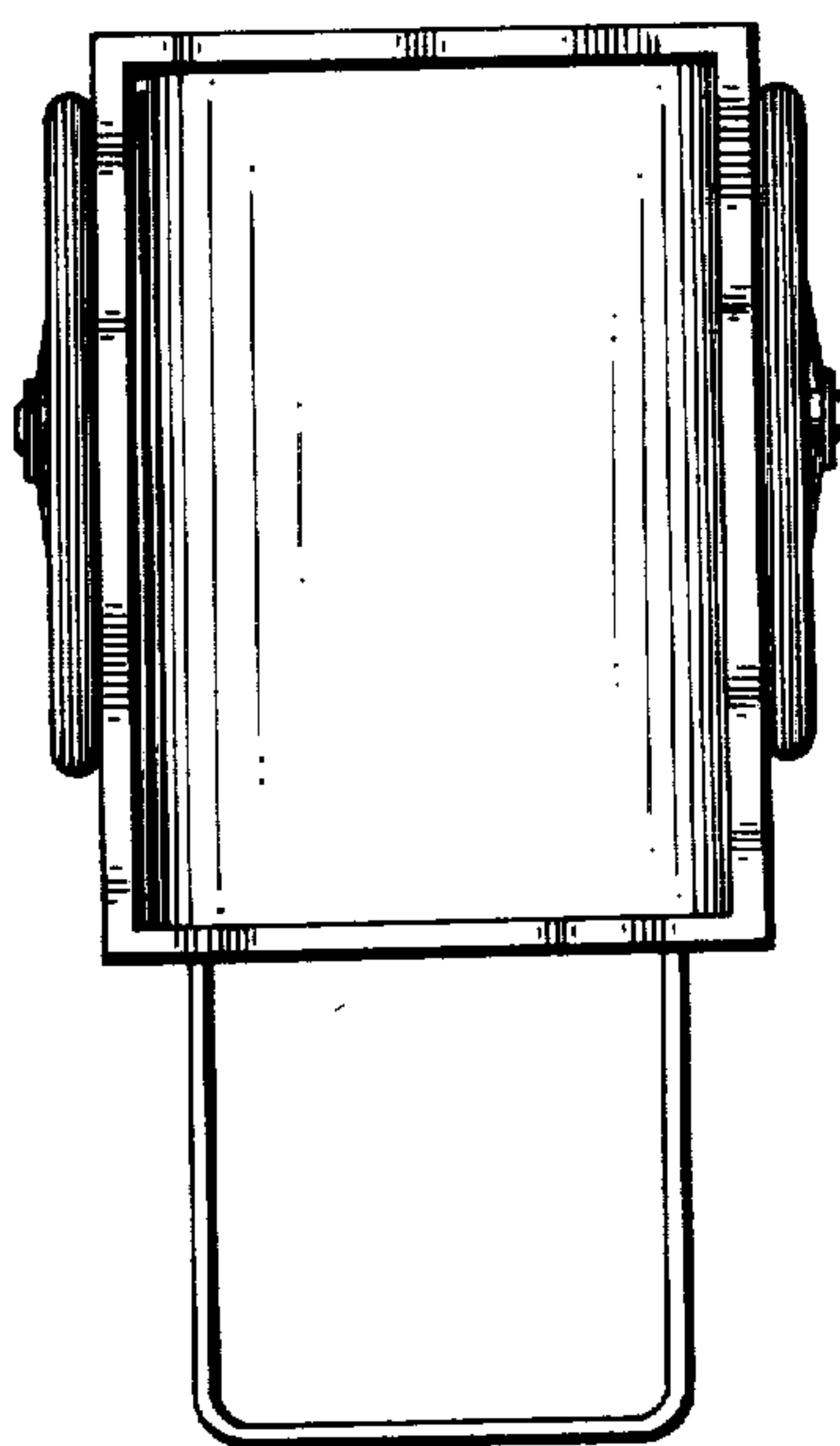


FIG. 5

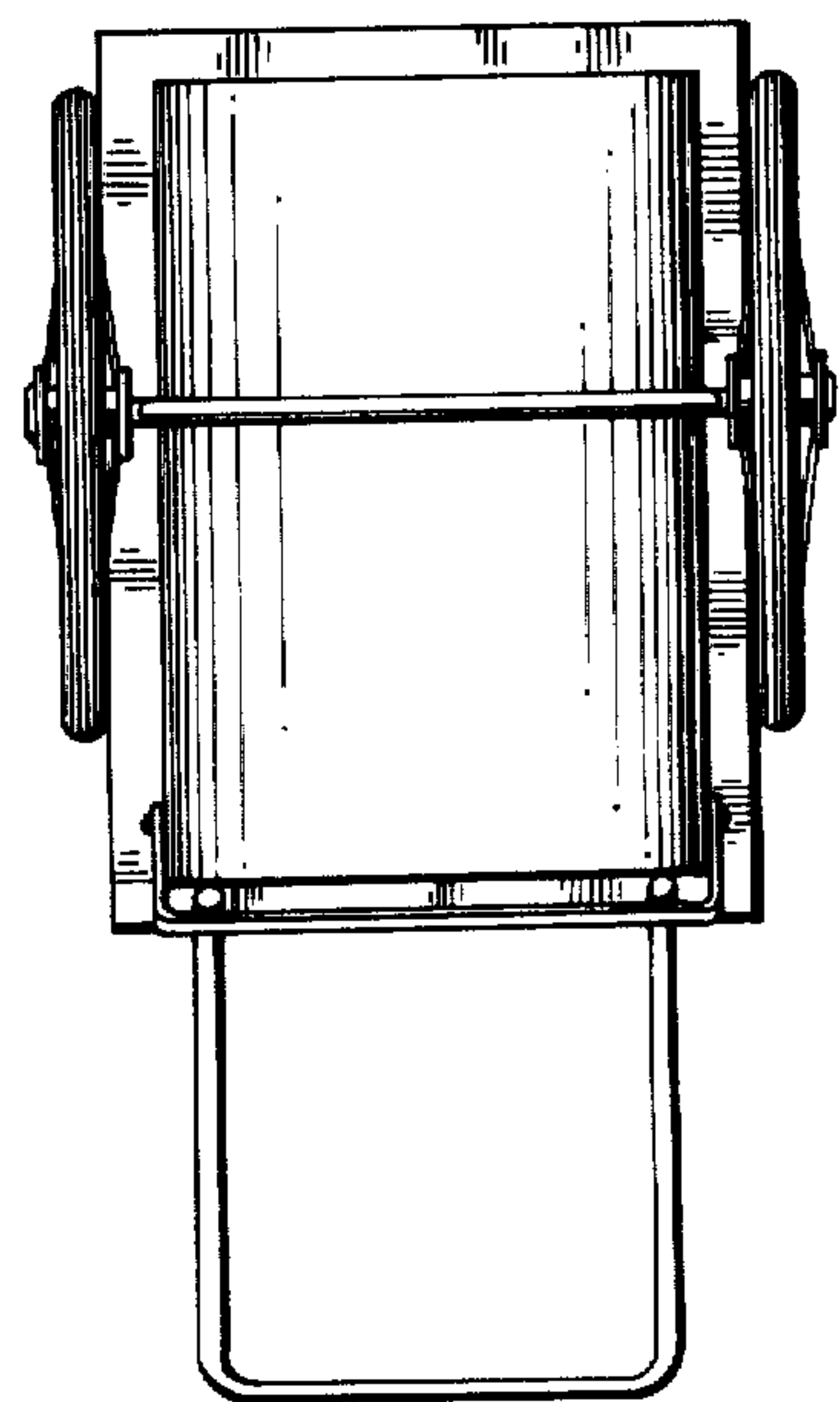


FIG. 6