

[54] ROAD HAZARD MARKER

[76] Inventor: Jerrold Mihailoff, 22 Greengate Rd., Don Mills, Ontario, Canada, M3B 1E8

[**] Term: 14 Years

[21] Appl. No.: 929,206

[22] Filed: Jul. 28, 1978

[30] Foreign Application Priority Data
Feb. 3, 1978 [CA] Canada 0302787

[51] Int. Cl. D10-05
[52] U.S. Cl. D10/109; D10/113
[58] Field of Search D10/109, 111, 113;
116/63 R, 63 P, 63 C, 63 T, 28 R; 40/606, 607,
612; 350/97, 98, 99, 100, 103; 404/6, 9, 10;
256/1, 13.1

[56] References Cited

U.S. PATENT DOCUMENTS

D. 236,818 9/1975 Stenemann D10/113 X

FOREIGN PATENT DOCUMENTS

891970 10/1953 Fed. Rep. of Germany 116/63 P
1094128 12/1954 France 404/10
1240236 7/1971 United Kingdom 40/606

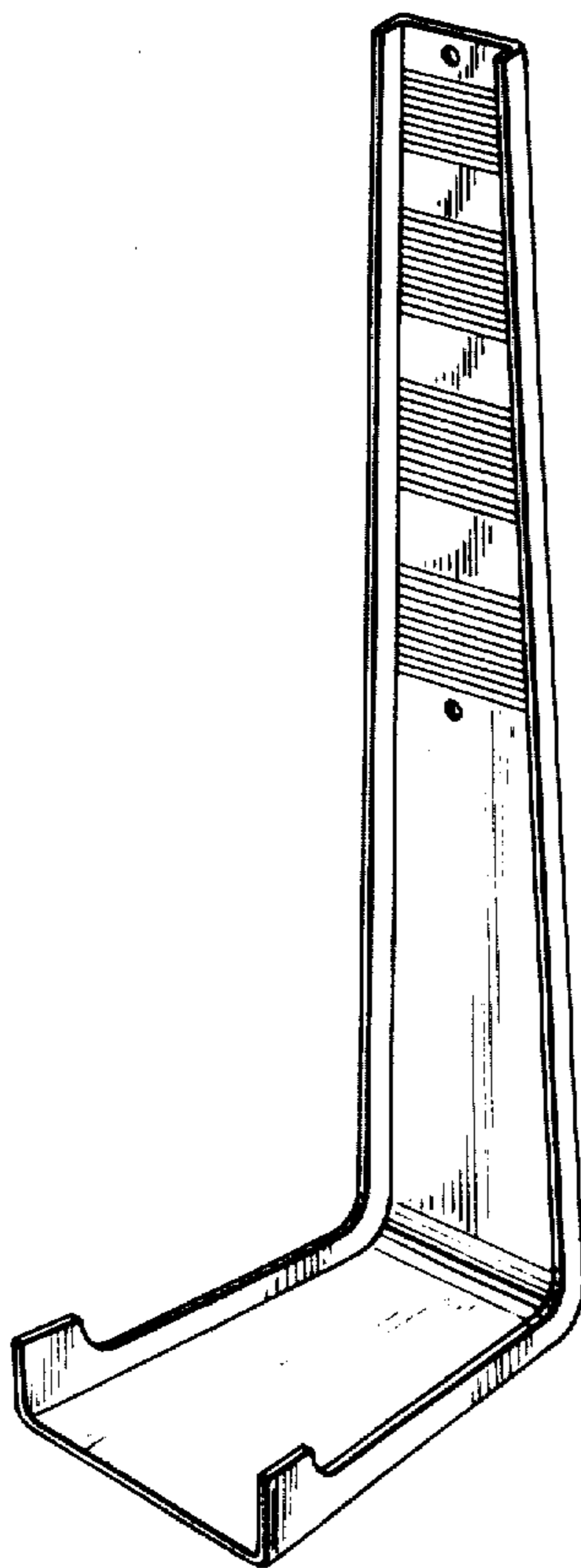
Primary Examiner—Susan J. Lucas
Attorney, Agent, or Firm—Sim & McBurney

[57] CLAIM

The ornamental design for a road hazard marker, as shown and described.

DESCRIPTION

FIG. 1 is a perspective view of a first embodiment of a road hazard marker showing my design, taken from above and to one side;
FIG. 2 is another perspective view thereof, taken from below and to the other side;
FIG. 3 is a perspective view of a second embodiment thereof, taken from above and to one side; and
FIG. 4 is another perspective view thereof, taken from below and to the other side.



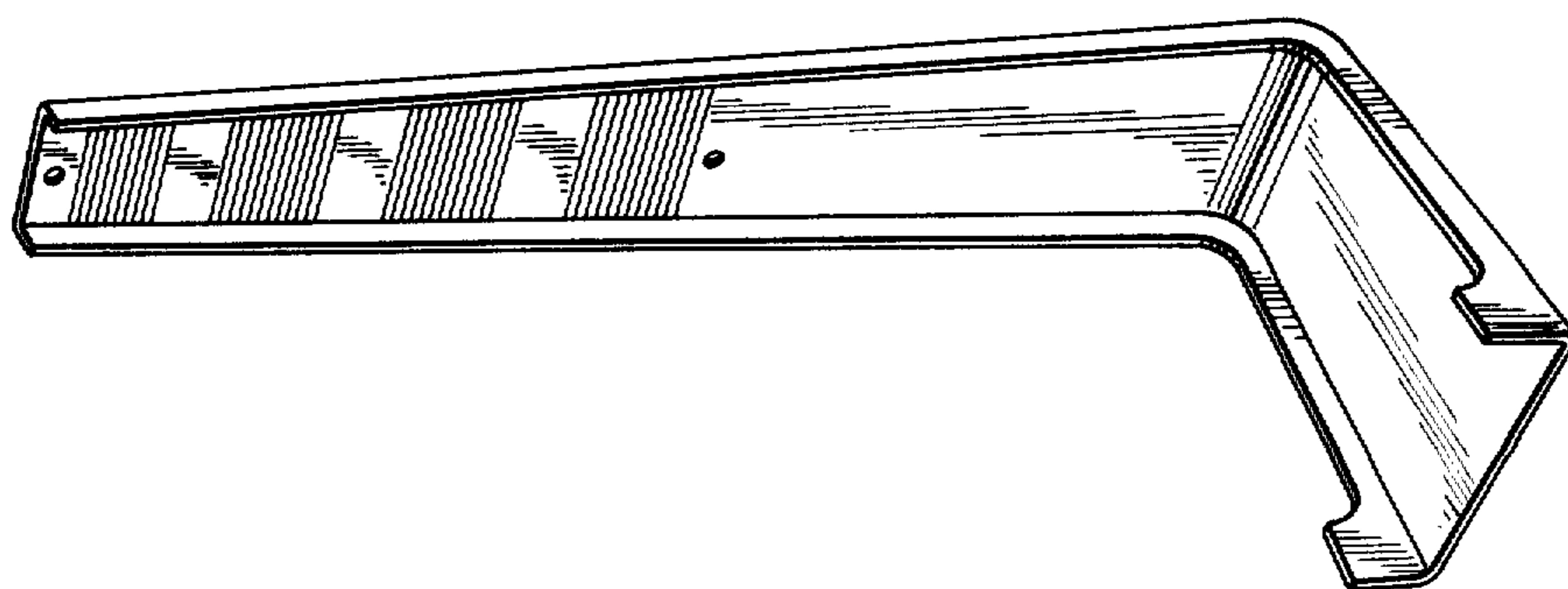


FIG. 1

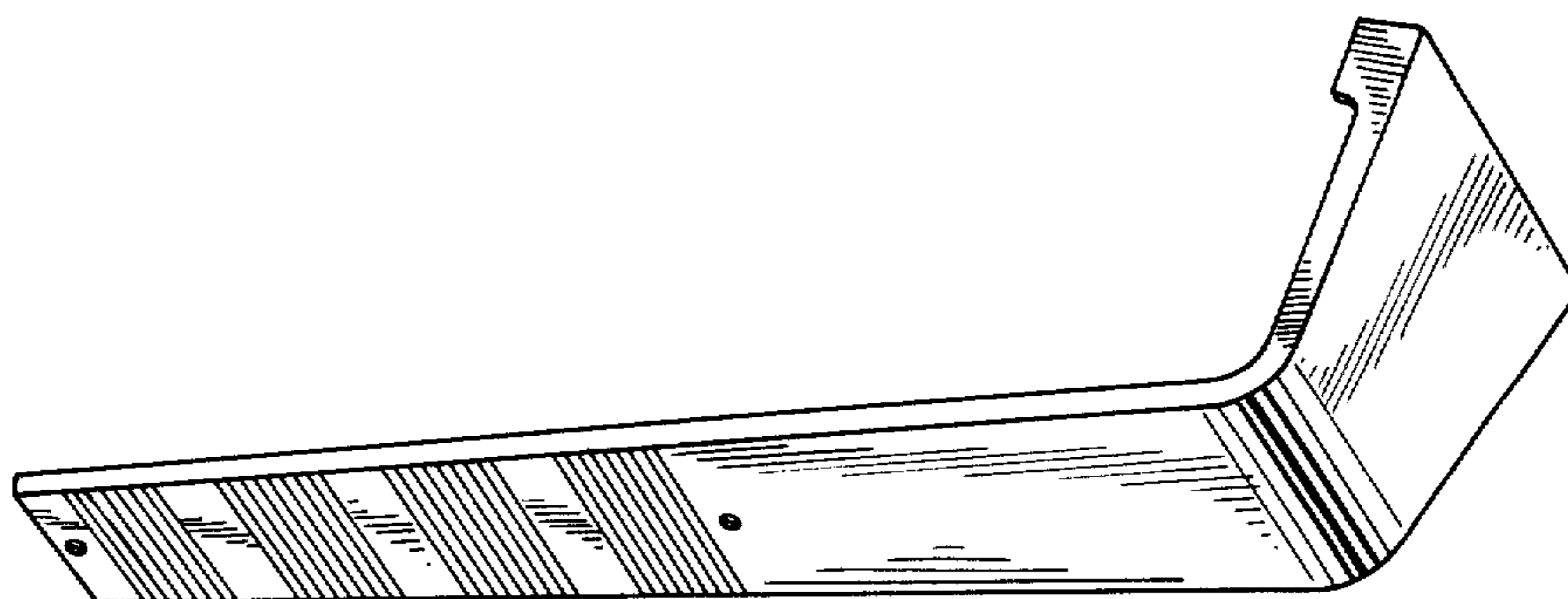


FIG. 2

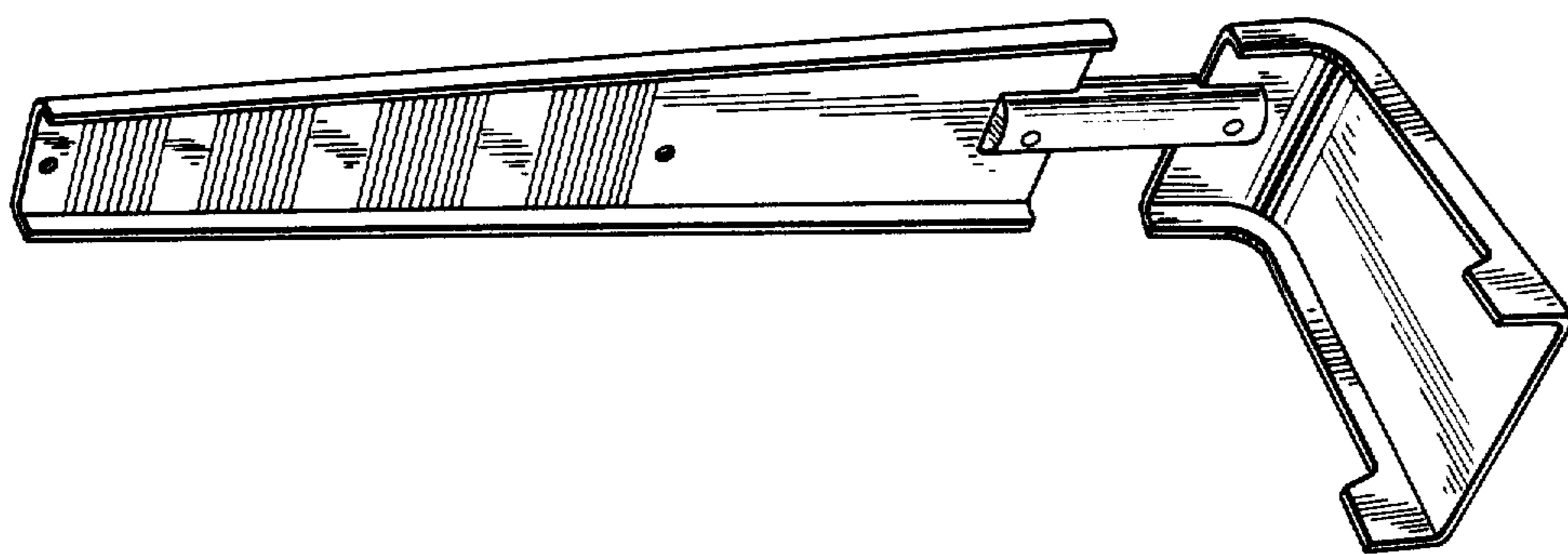


FIG. 3

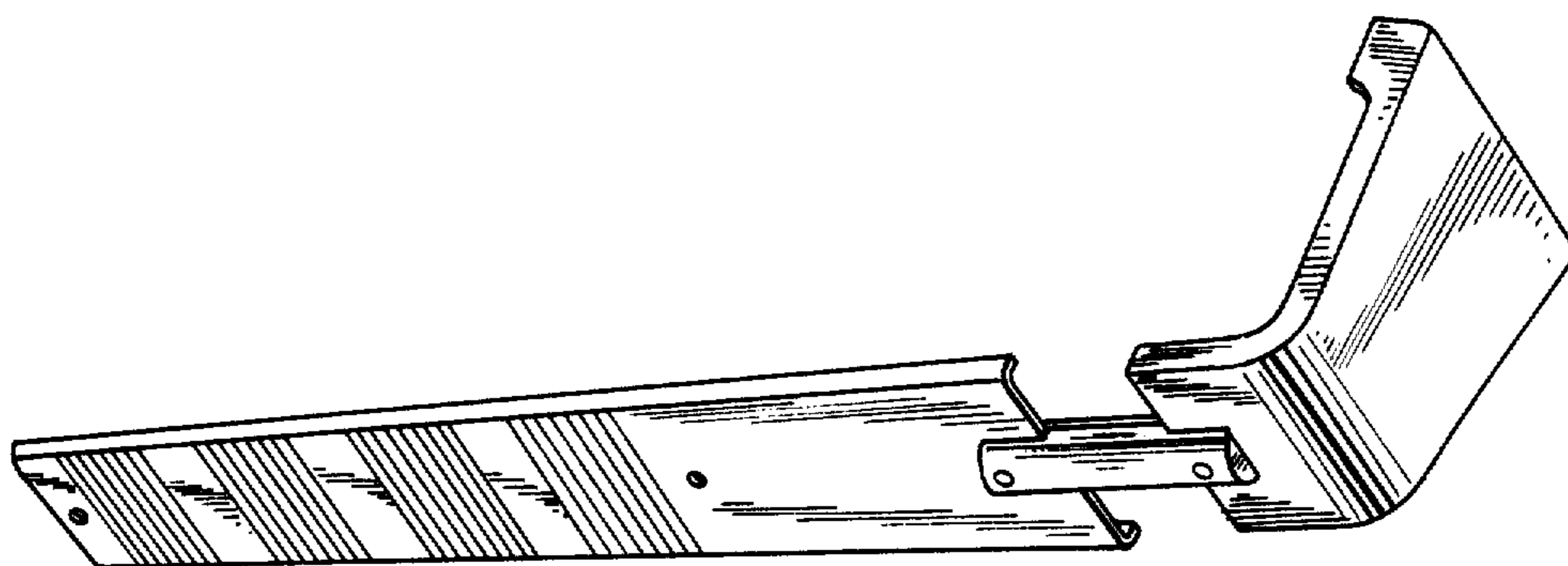


FIG. 4