

[54] PORTABLE DOOR ALARM

[75] Inventor: Yanta H. T. Lam, Kowloon, Hong Kong

[73] Assignee: Meyer Aluminium Limited, Kowloon, Hong Kong

[**] Term: 14 Years

[21] Appl. No.: 52,017

[22] Filed: Jun. 25, 1979

[51] Int. Cl. D10-05

[52] U.S. Cl. D10/106

[58] Field of Search D10/104, 106, 121; 340/541-547, 551, 552, 555, 556, 566, 565, 577, 578, 579, 584, 586, 627, 629, 630

[56] References Cited

U.S. PATENT DOCUMENTS

D. 240,410 7/1976 Fujiwara D10/106

3,643,249 2/1972 Haywood 340/542
3,732,843 5/1973 Pappas et al. D10/106 X
3,878,539 4/1975 Gooding 340/546

OTHER PUBLICATIONS

Hardware Age, 8-1975, p. 174-Burglar/Fire Alarm.

Primary Examiner—Susan J. Lucas

Attorney, Agent, or Firm—Wood, Herron & Evans

[57] CLAIM

The ornamental design for a portable door alarm, as shown.

DESCRIPTION

FIG. 1 is a front perspective view from above and one side of a portable door alarm showing my new design; FIG. 2 is a view of the opposite side thereof; FIG. 3 is a rear view thereof; FIG. 4 is a bottom view thereof; and FIG. 5 is a front perspective view thereof with the supporting hook in an extended position.

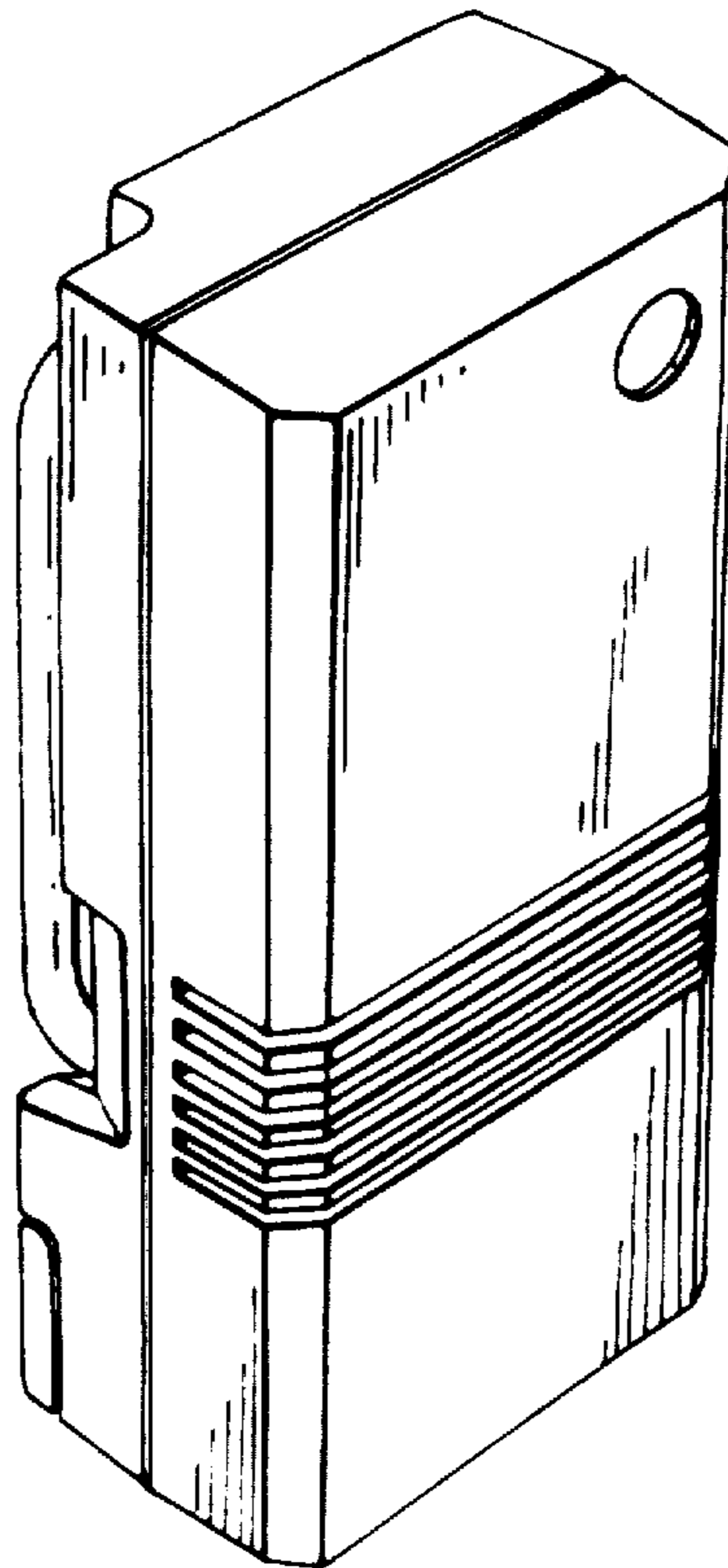


FIG. 1

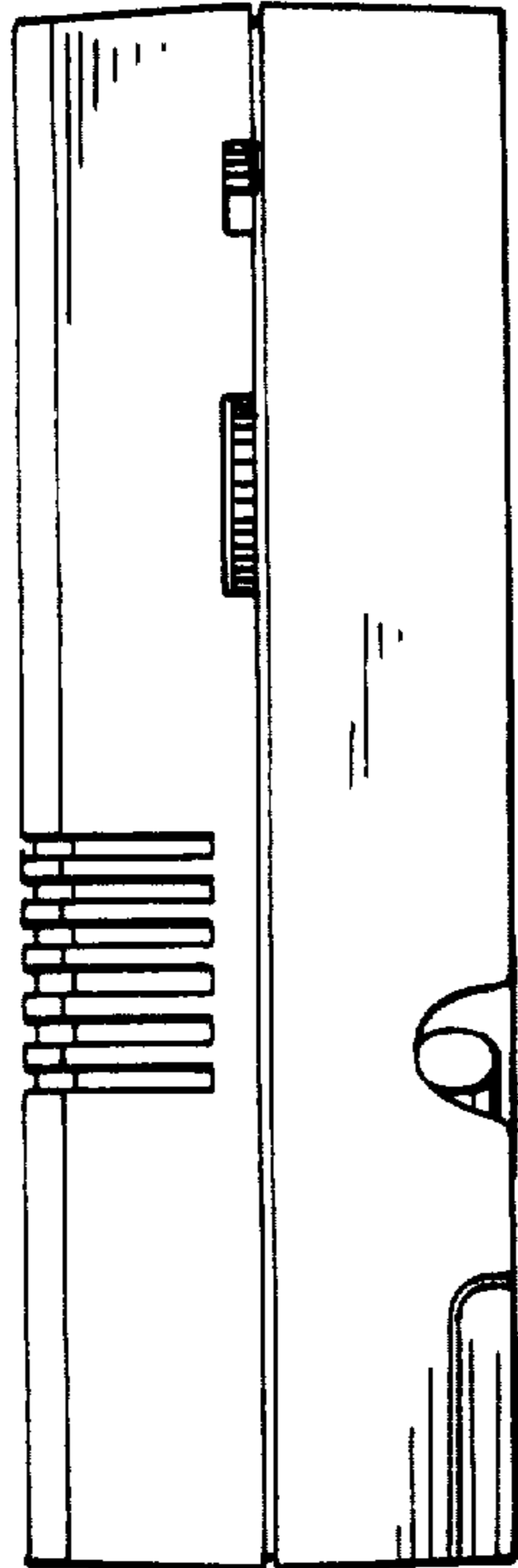
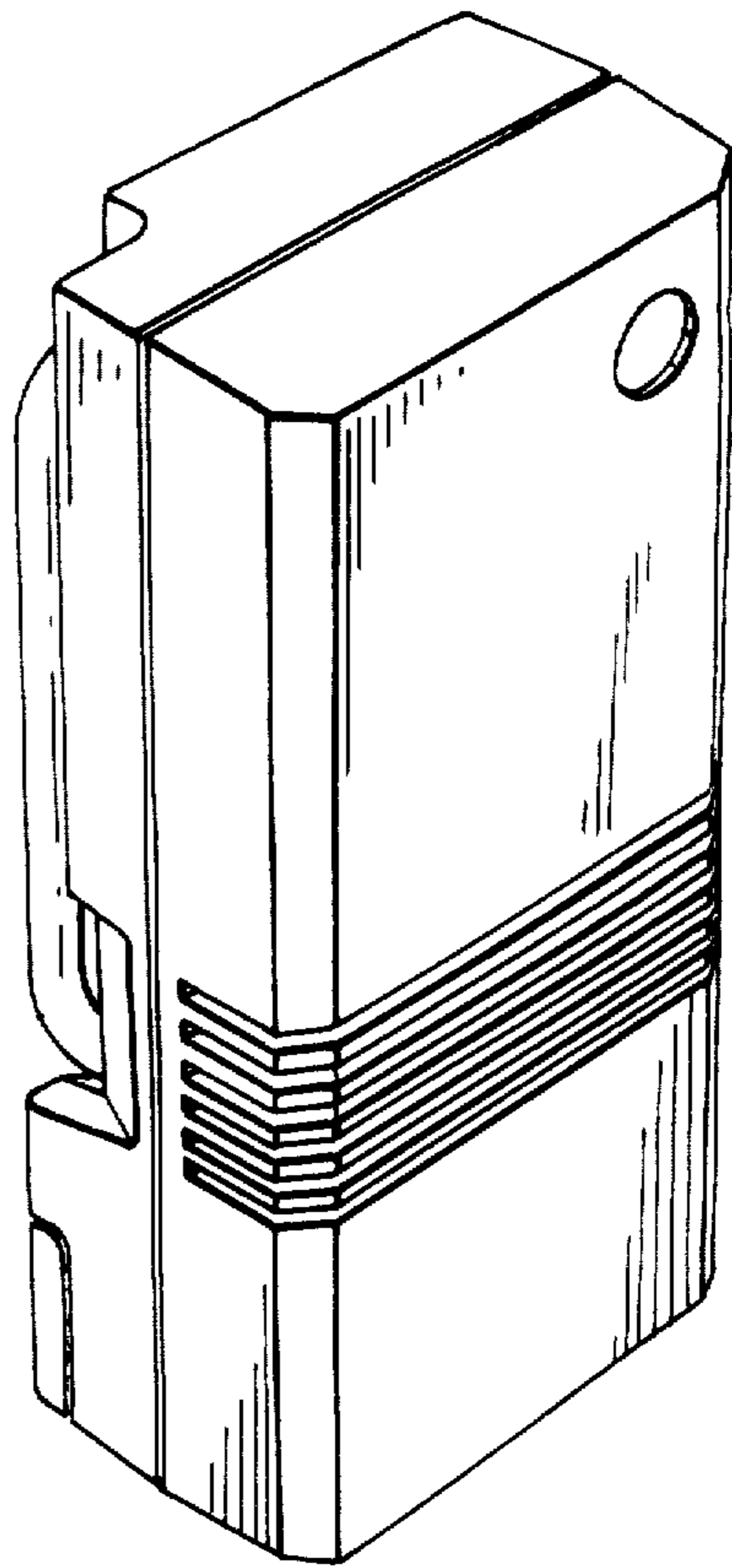


FIG. 2

FIG. 3

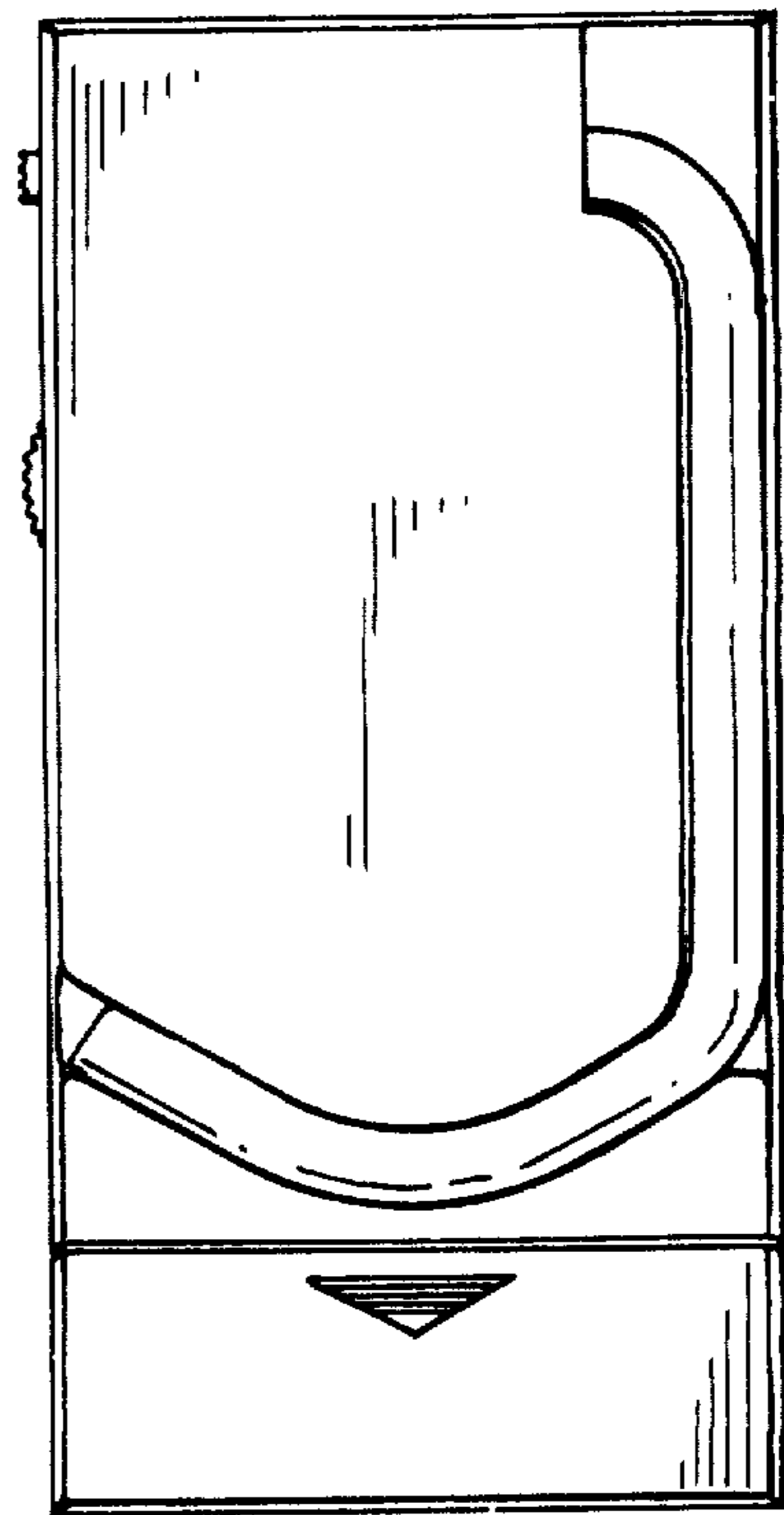
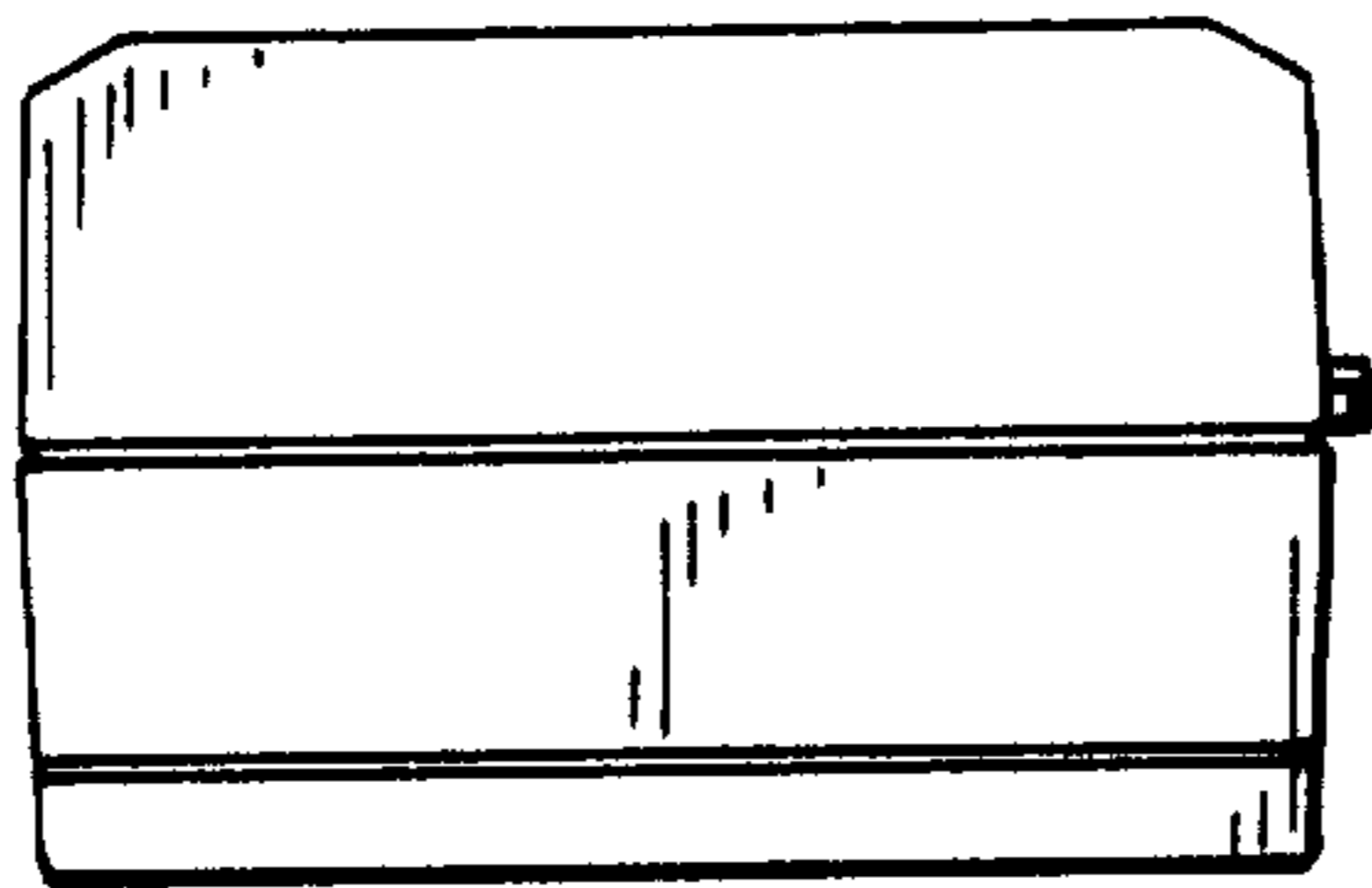


FIG. 4



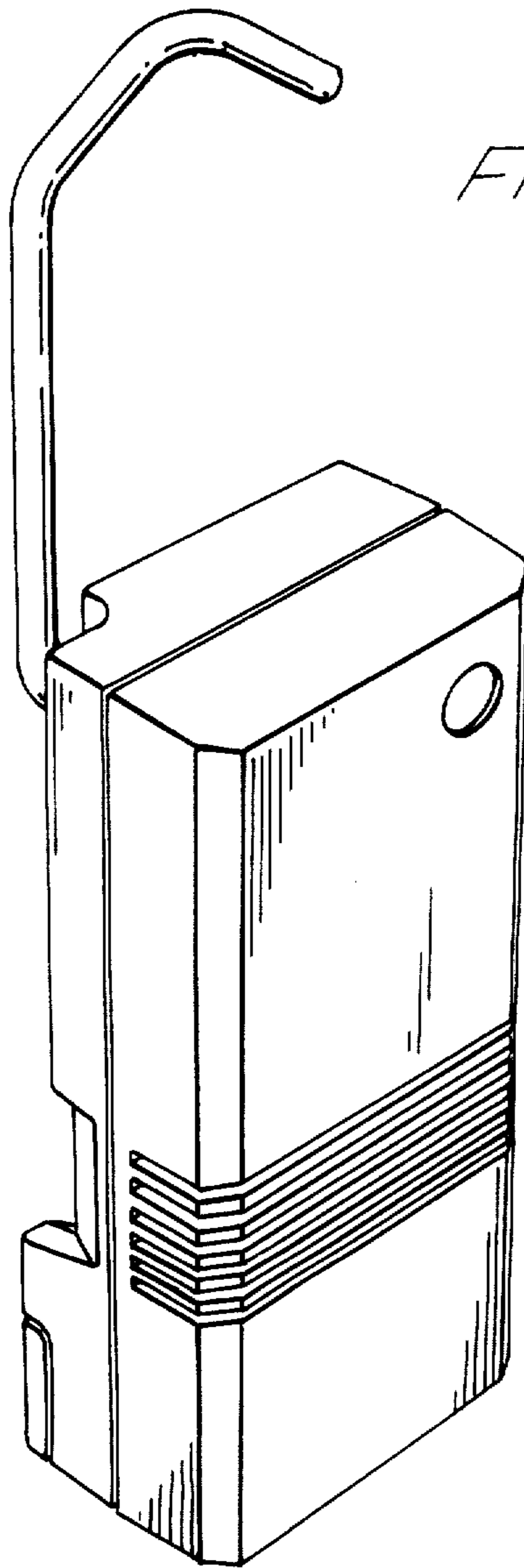


FIG. 5.