

[54] VISCOMETER

[75] Inventor: Peyton N. Randolph, Houston, Tex.

[73] Assignee: Halliburton Company, Duncan, Okla.

[\*\*] Term: 14 Years

[21] Appl. No.: 95,364

[22] Filed: Nov. 19, 1979

[51] Int. Cl. .... D10-04

[52] U.S. Cl. .... D10/83

[58] Field of Search ..... D10/81, 83, 89, 96,  
D10/46; 73/59

[56] References Cited

U.S. PATENT DOCUMENTS

2,957,339 10/1960 Penny ..... 73/59

3,053,078 9/1962 Jewett ..... 73/59 X  
3,327,825 6/1967 Fann ..... 192/104 R  
3,803,903 4/1974 Lin ..... 73/59  
4,241,601 12/1980 Pennington ..... 73/59

Primary Examiner—Nelson C. Holtje  
Attorney, Agent, or Firm—John H. Tregoning; Thomas  
R. Weaver; Lucian Wayne Beavers

[57] CLAIM

The ornamental design for a viscometer substantially, as  
shown and described.

DESCRIPTION

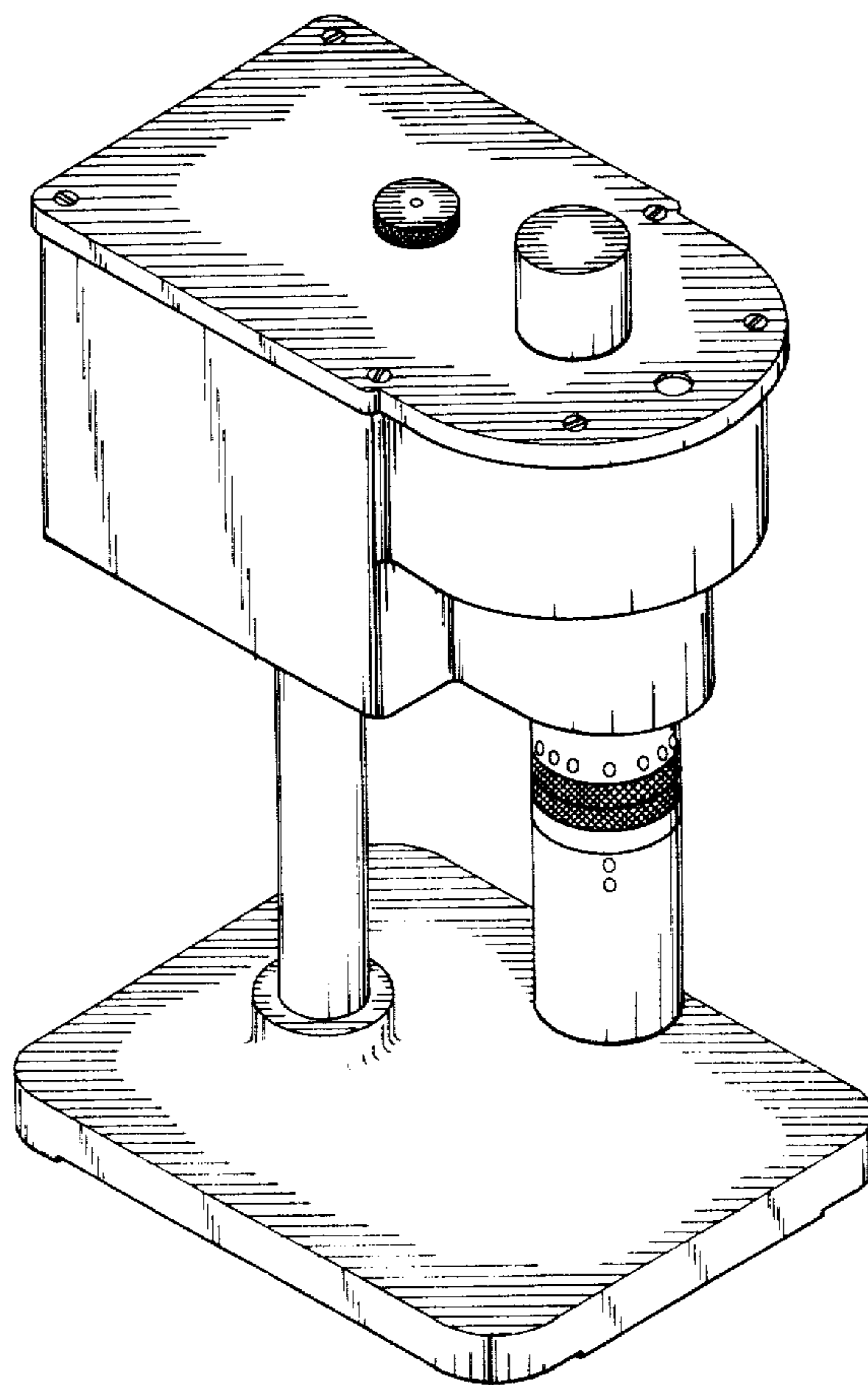
FIG. 1 is a left side elevational view of a viscometer  
showing my new design;

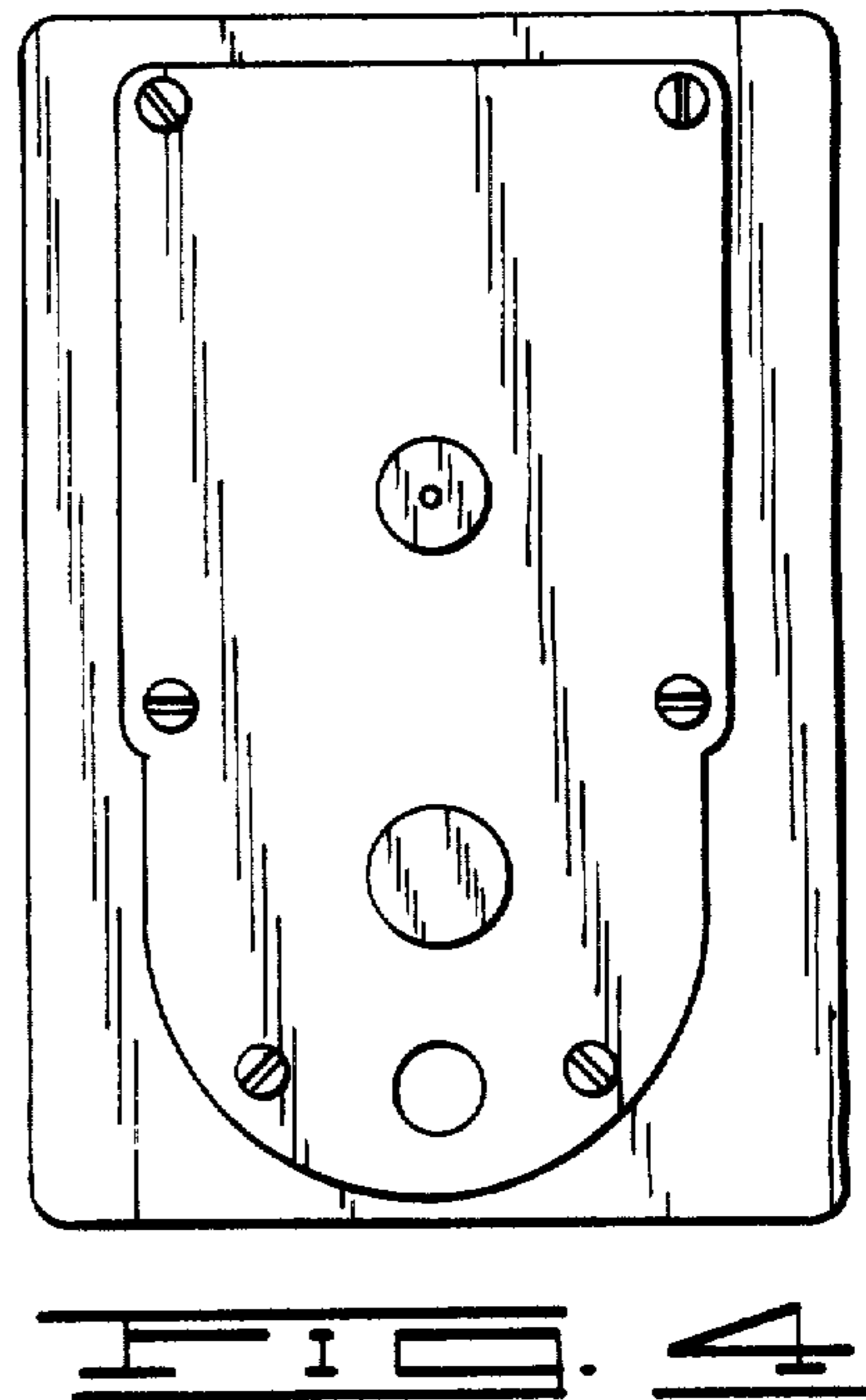
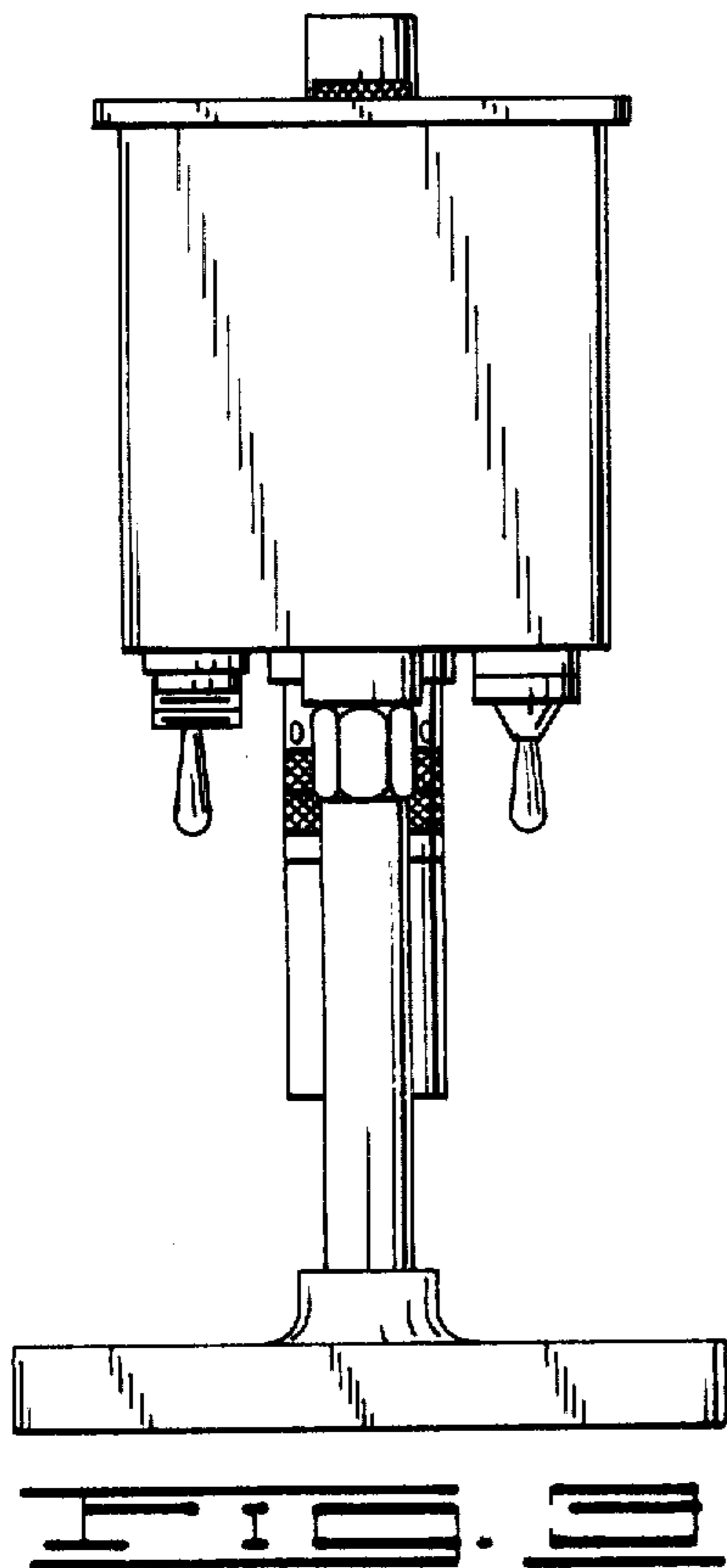
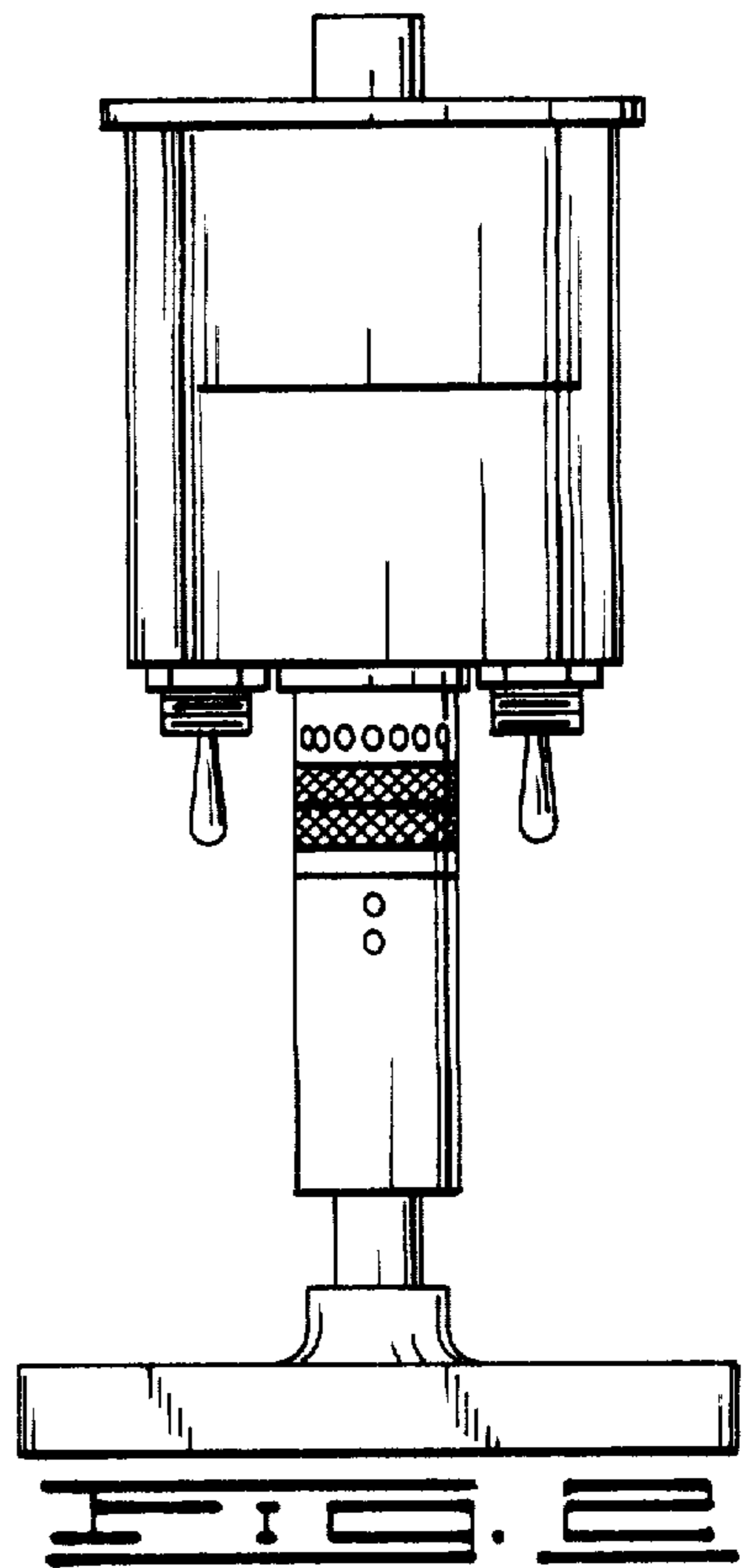
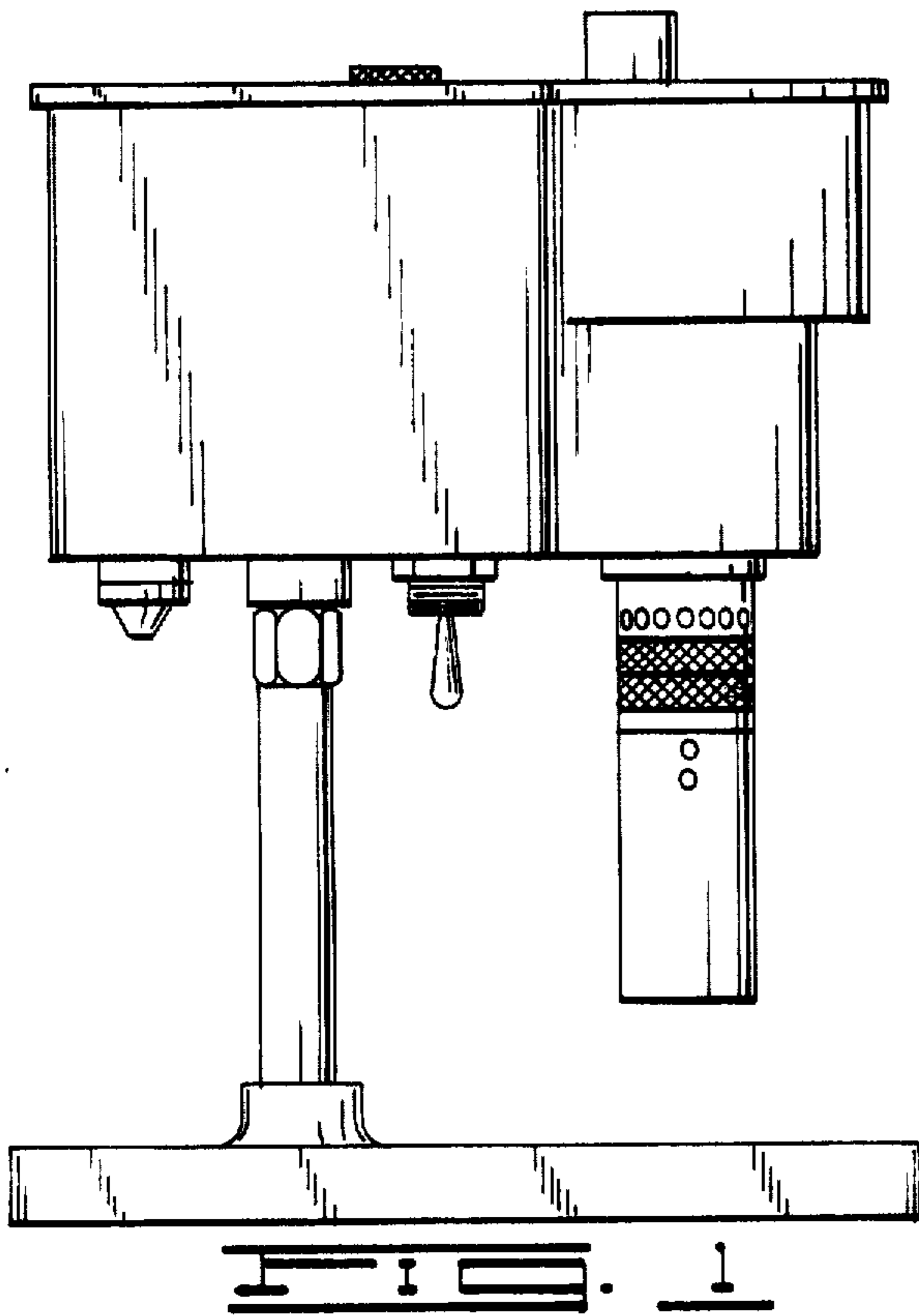
FIG. 2 is a front elevational view thereof;

FIG. 3 is a rear elevational view thereof;

FIG. 4 is a top plan view thereof;

FIG. 5 is a top and left front perspective view thereof.





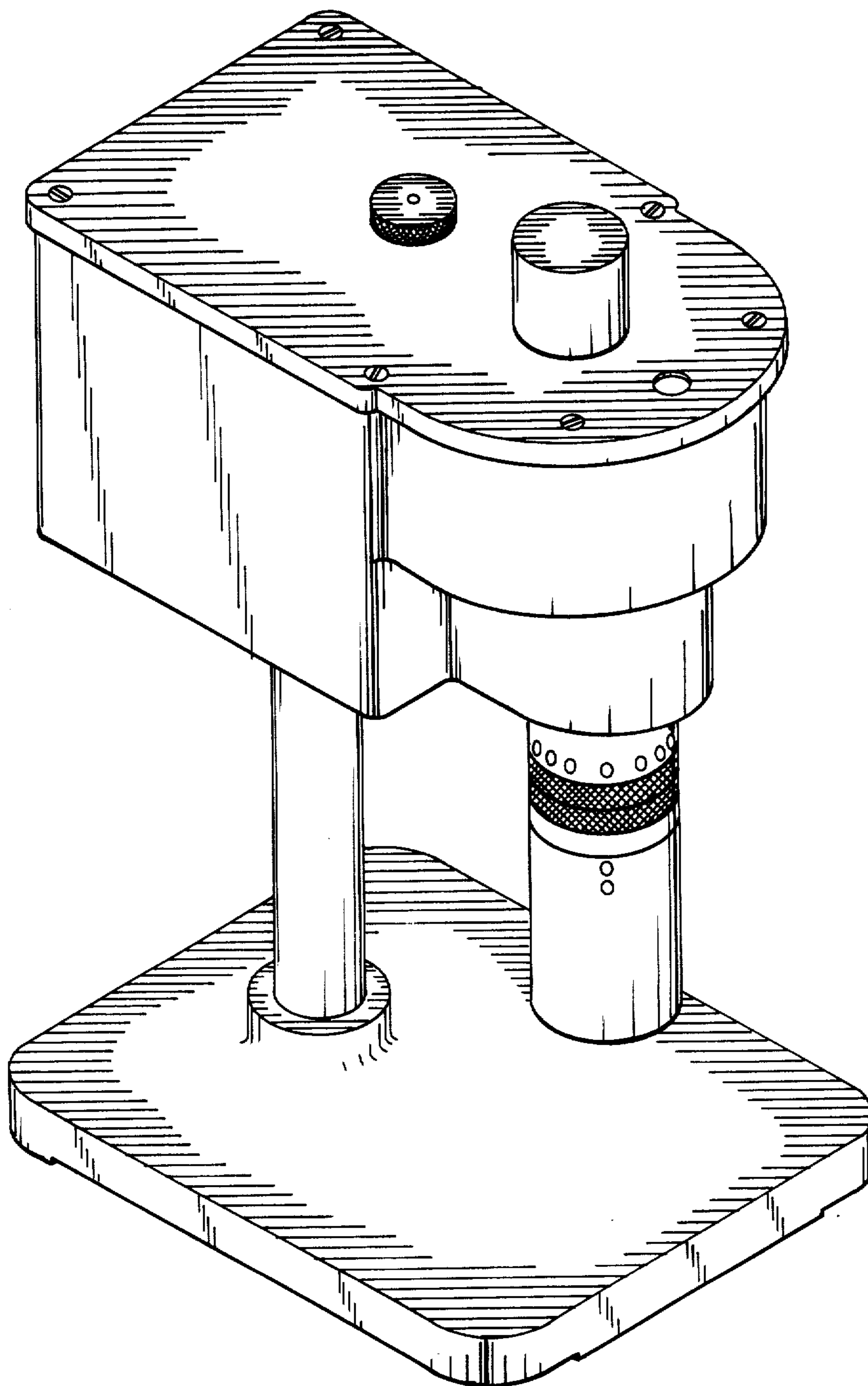


FIG. 5