

[54] PORTABLE RADAR-TYPE SPEED METER

[76] Inventors: **Viktor A. Petrovsky**, ulitsa Pugacheva, 19a, kv. 49; **Lev G. Gassanov**, ulitsa Uritskogo, 25, kv. 65, both of Kiev; **Sergei M. Belyaev**, ulitsa Magnitogorskaya, 3, kv. 97; **Lev A. Kochetov**, ulitsa Khersonskaya, 3, kv. 30, both of Moscow; **Vitaly L. Kryzhanovsky**, ulitsa Transheinaya, 11, kv. 1, Kiev; **Andrei A. Palamarchuk**, ulitsa Saratovskaya, 49, kv. 18, Kiev; **Viktor D. Ushakov**, ulitsa D. Bednogo, 25, kv. 52, Kiev; **Rafail J. Timraleev**, ulitsa Levanevskogo, 4, kv. 43-2, Kiev; **Vitaly M. Parfenjuk**, ulitsa Geroev Sevastopolya, 33, kv. 55, Kiev; **Alexandr S. Pilipenko**, ulitsa Kablukova, 3, kv. 29, Kiev; **Petr A. Goncharov**, ulitsa Artema, 10, kv. 1, Kiev; **Anatoly I. Ponomarenko**, poselok Bucha, ulitsa Kochubeya, 8, Kieyskaya oblast, all of U.S.S.R.

[**] Term: 14 Years

[21] Appl. No.: 23,285

[22] Filed: Mar. 23, 1979

[51] Int. Cl. D10-04
 [52] U.S. Cl. D10/46
 [58] Field of Search D10/46, 104; 343/5 R, 343/8, 18 E; 325/364

[56] References Cited

U.S. PATENT DOCUMENTS

D. 223,665	5/1972	Eisele	D10/46
D. 223,666	5/1972	Eisele	D10/46
3,120,640	2/1964	Midlock	343/8 X
3,187,329	6/1965	Midlock	343/8
4,184,156	1/1980	Petrovsky et al.	343/8

Primary Examiner—Nelson C. Holtje
 Attorney, Agent, or Firm—Burgess, Ryan and Wayne

[57] CLAIM

The ornamental design for a portable radar-type speed meter, substantially as shown and described.

DESCRIPTION

FIG. 1 is a front elevation view of the portable radar-type speed meter showing our new design;
 FIG. 2 is a top plan view thereof;
 FIG. 3 is a right side elevational view thereof;
 FIG. 4 is a left side elevational view thereof;
 FIG. 5 is a bottom plan view thereof; and
 FIG. 6 is a perspective view thereof.
 The line cords of FIGS. 1-2 and 5-6 are shown broken away to indicate indeterminate length.

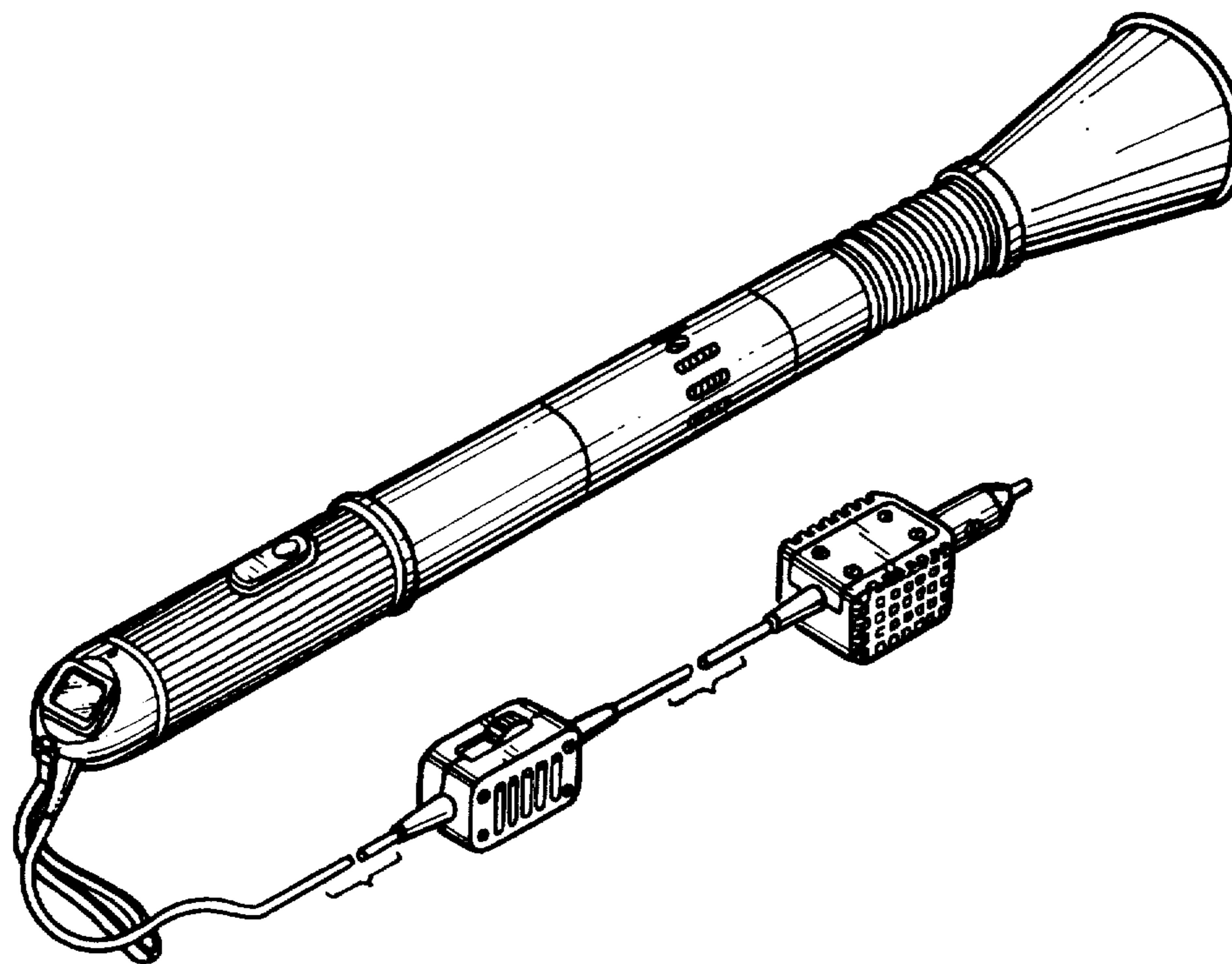


FIG. 5

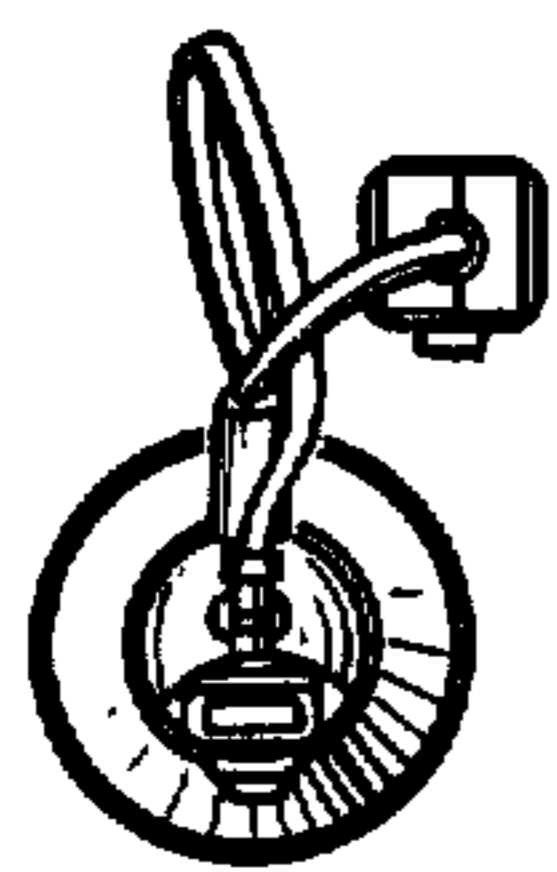
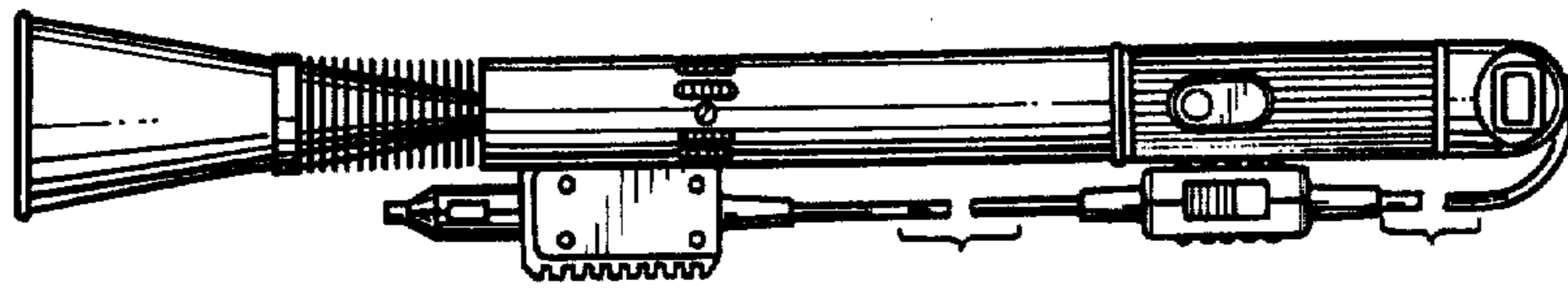


FIG. 3



FIG. 1

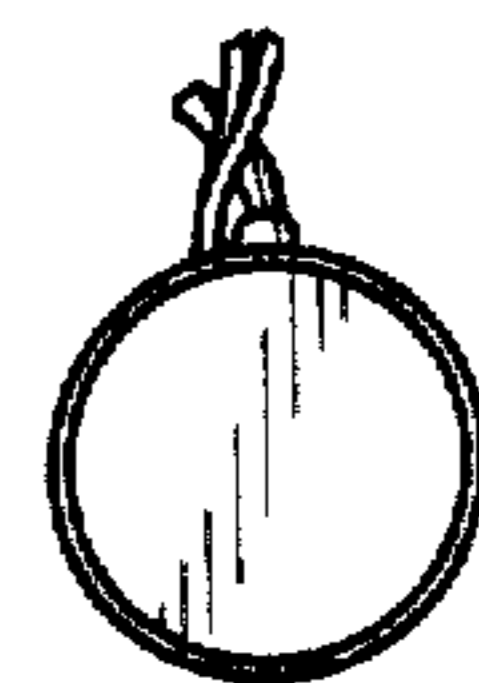


FIG. 4

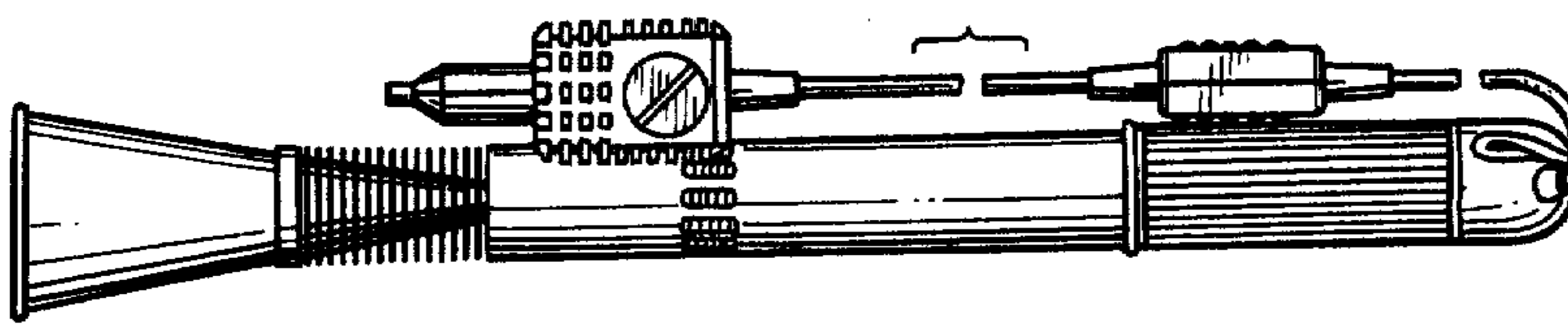


FIG. 2

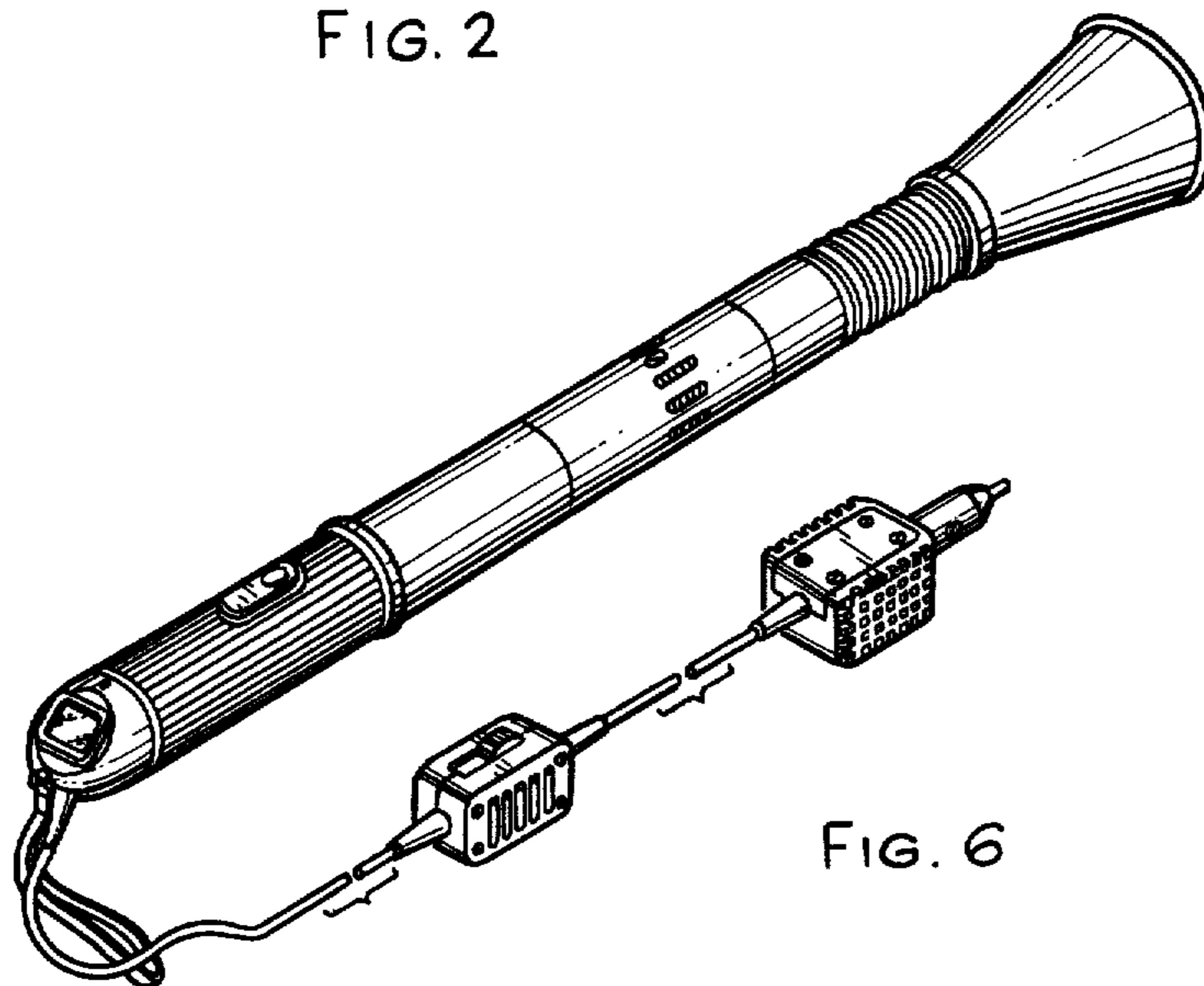


FIG. 6