

[54] CABLE CLAMP

[75] Inventor: Yoshinari Fujita, Kodairashi, Japan

[73] Assignee: Okura Electric Industry Co., Ltd., Tokyo, Japan

[**] Term: 7 Years

[21] Appl. No.: 956,678

[22] Filed: Nov. 1, 1978

[51] Int. Cl. D8-396; D8-08

[52] U.S. Cl. D8/356; D8/383

[58] Field of Search D8/355, 356, 382, 383, D8/394-396; 24/115 R, 129 R, 129 D, 115 J

[56] References Cited

U.S. PATENT DOCUMENTS

407,592	7/1889	Harkness	24/115 R
2,077,222	4/1937	Creager	24/115 R
2,468,035	4/1949	Carroll	24/129 R
3,256,579	6/1966	Hoover	D8/394

3,289,260 12/1966 Buscall, Jr. D8/356

Primary Examiner—B. J. Bullock
Attorney, Agent, or Firm—Colton & Stone, Inc.

[57] CLAIM

The ornamental design for cable clamp, as shown and described.

DESCRIPTION

FIG. 1 is a top perspective view of a cable clamp showing my new design, a portion of the loop of the clamp being broken away for compactness of illustration;

FIG. 2 is a top plan view;

FIG. 3 is a bottom plan view;

FIG. 4 is a front elevational view;

FIG. 5 is a rear elevational view thereof;

FIG. 6 is a side elevational view taken from the left of FIG. 2;

FIG. 7 is a side elevational view taken from the right of FIG. 2; and

FIG. 8 is a sectional view taken in the direction of the arrows on line 8-8 of FIG. 4.

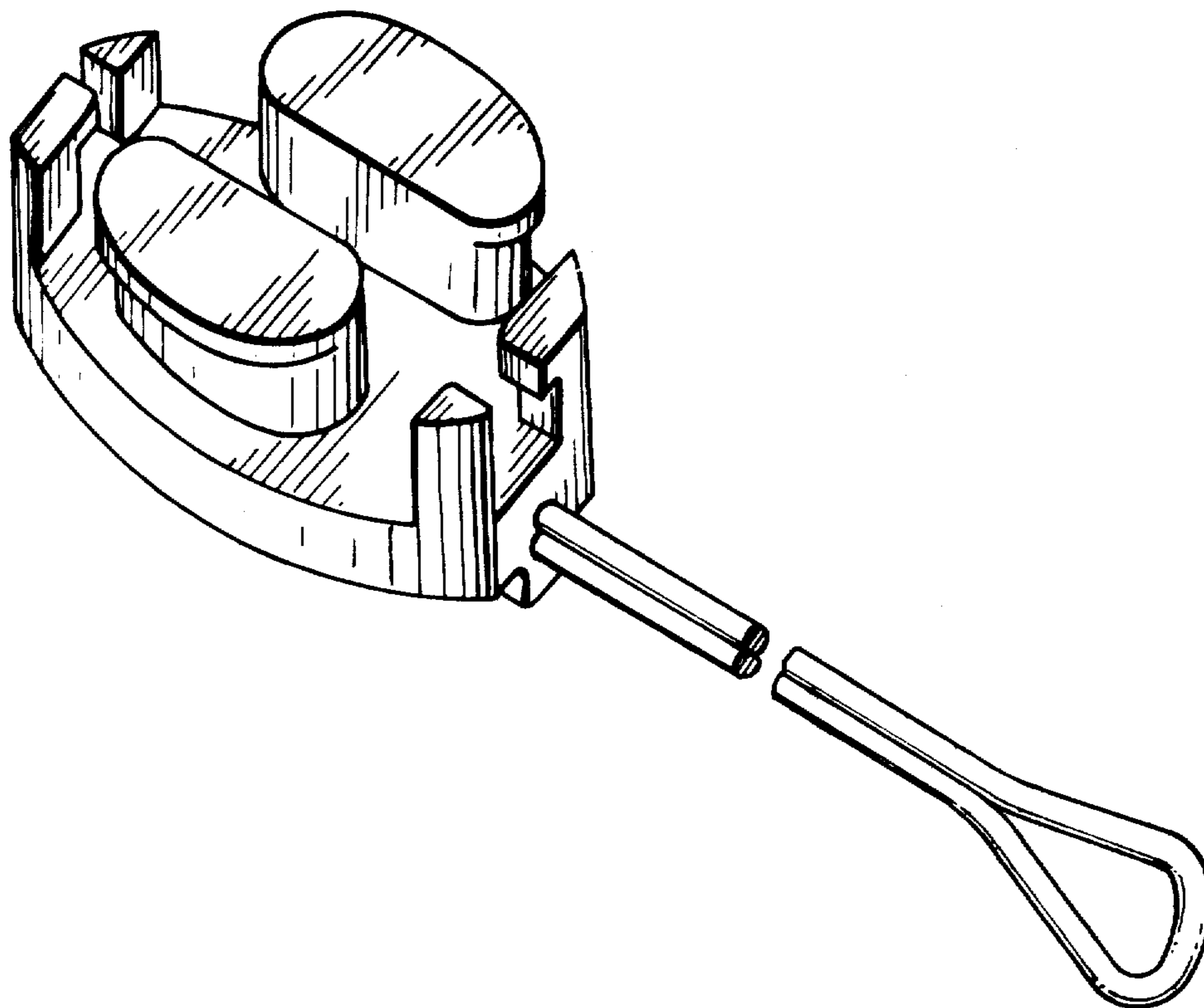


FIG.2 FIG.3

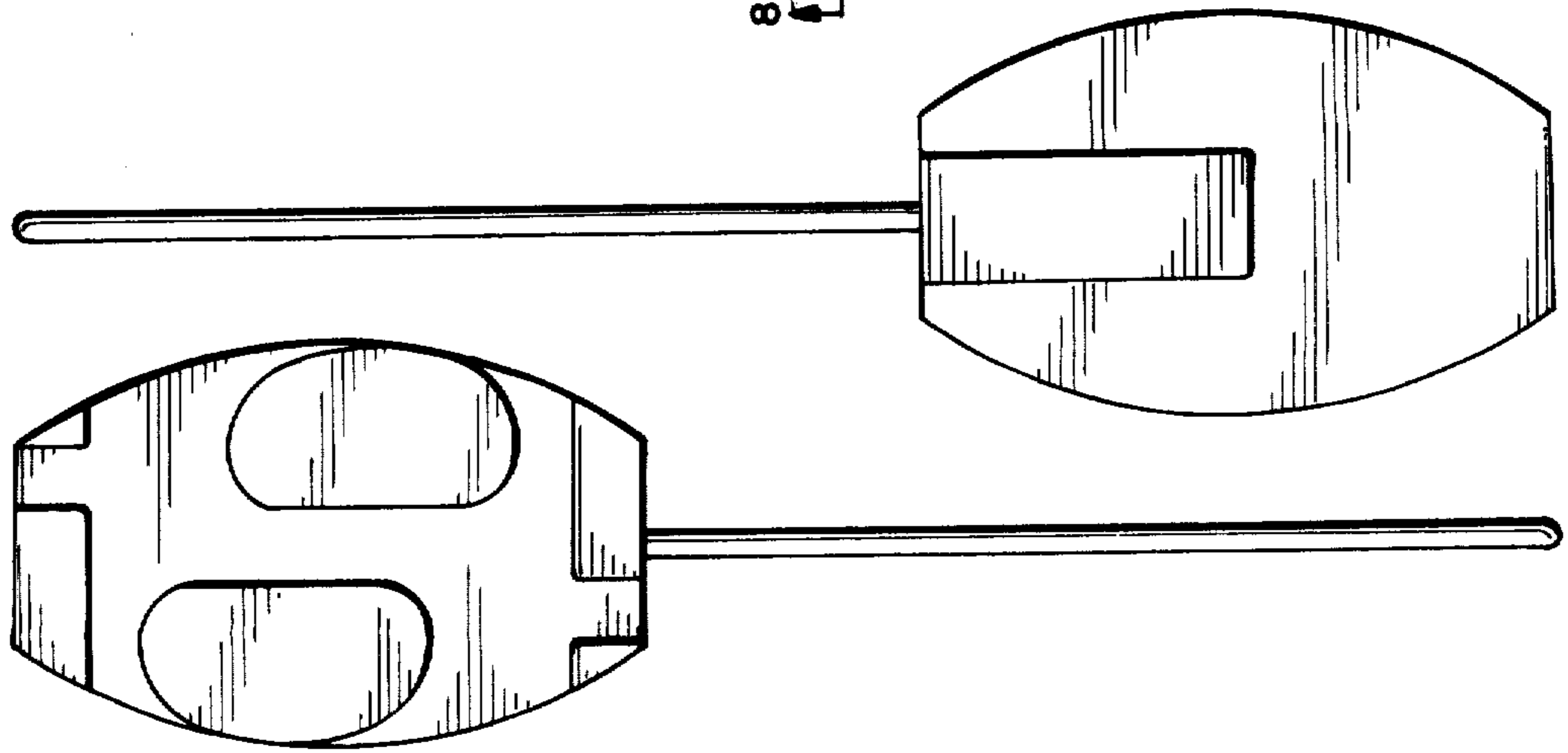


FIG.6

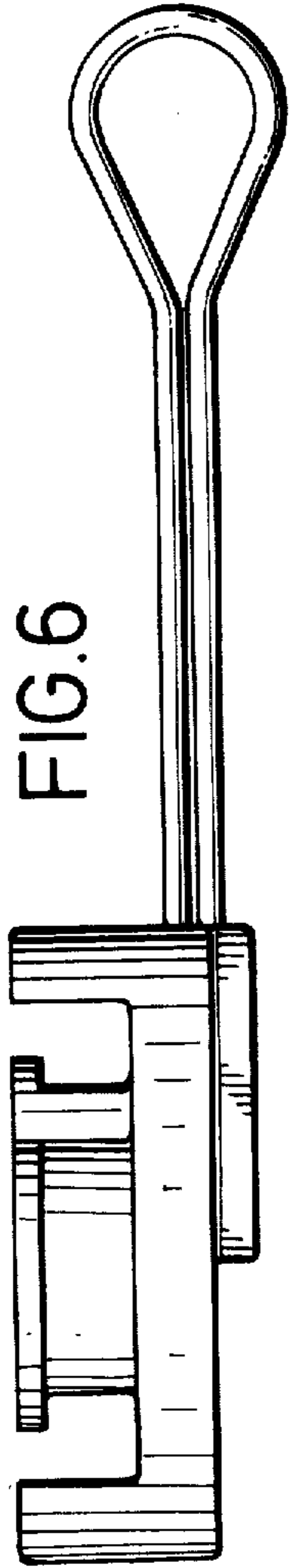


FIG.7

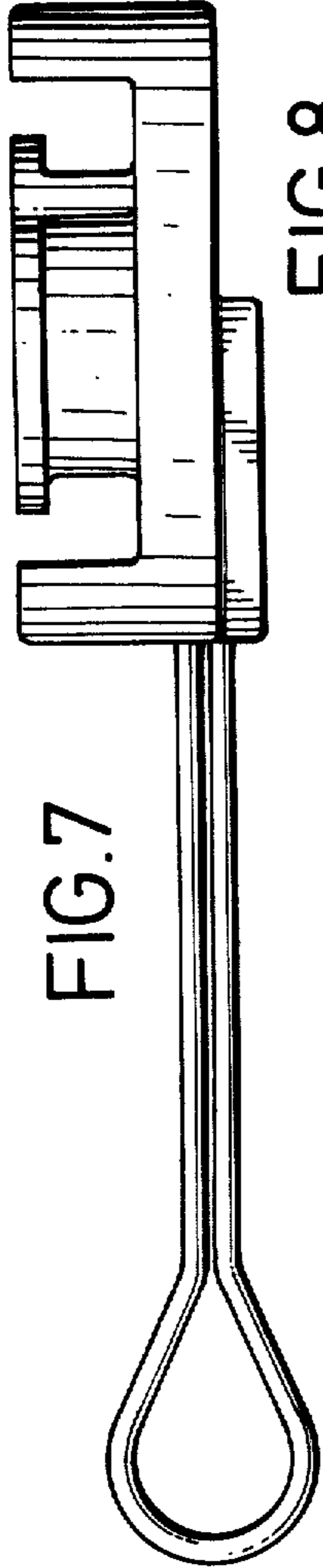


FIG.8

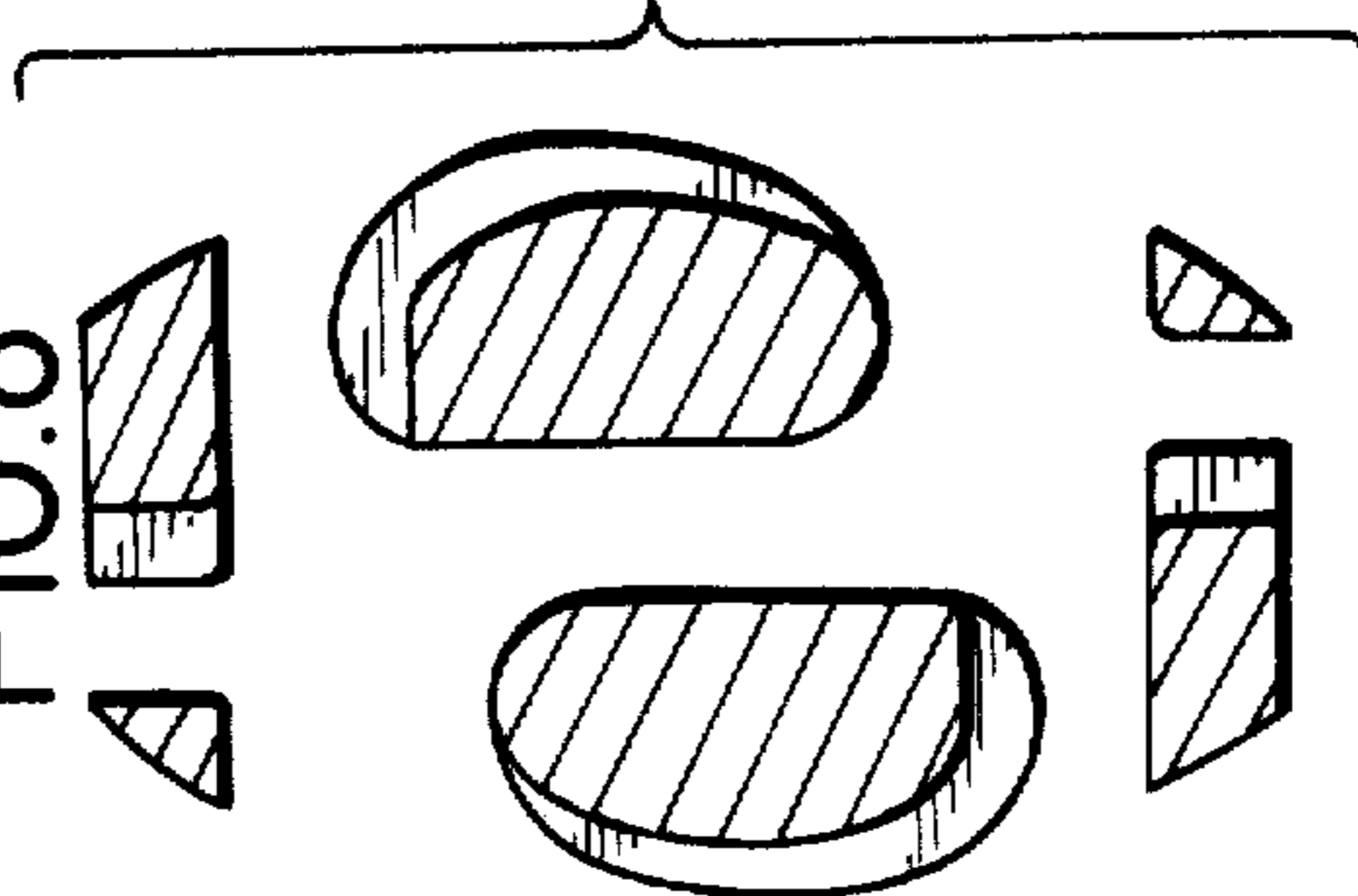


FIG.4

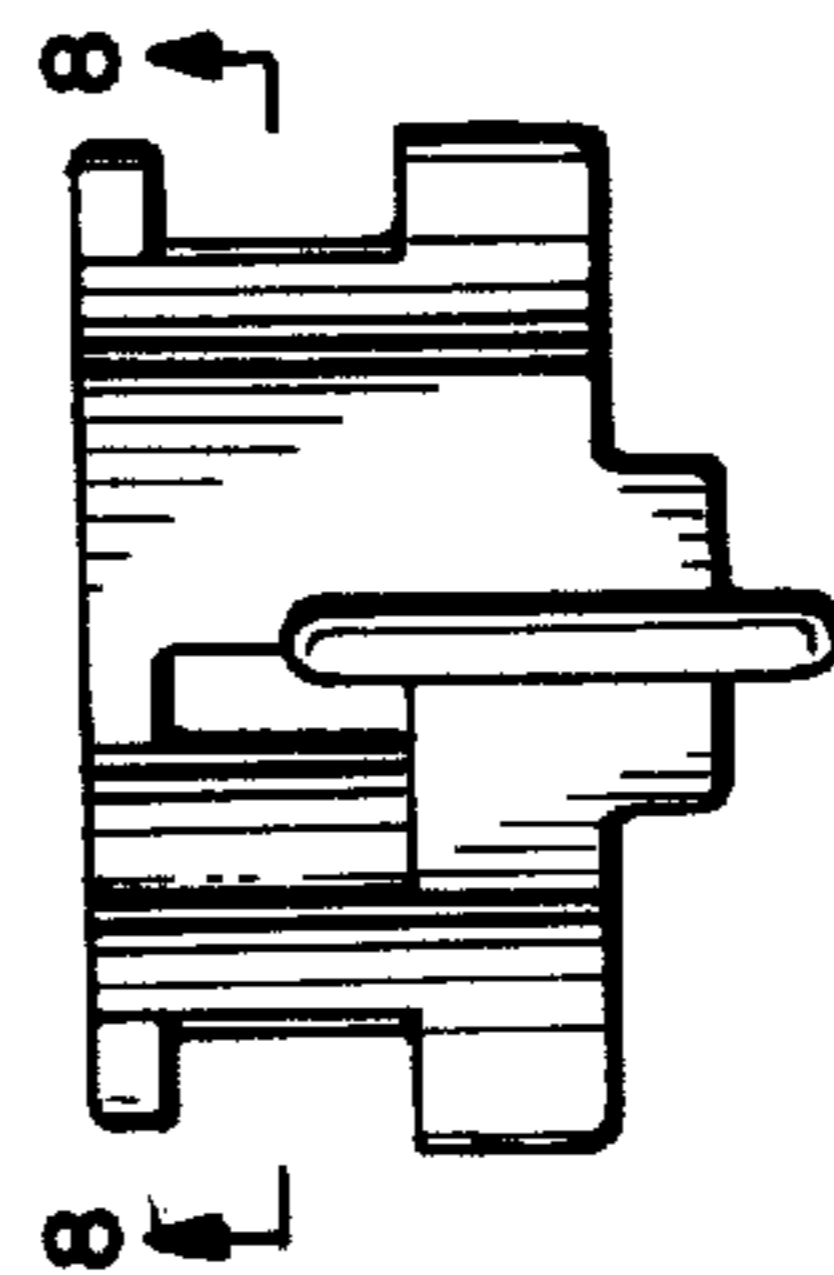


FIG.5

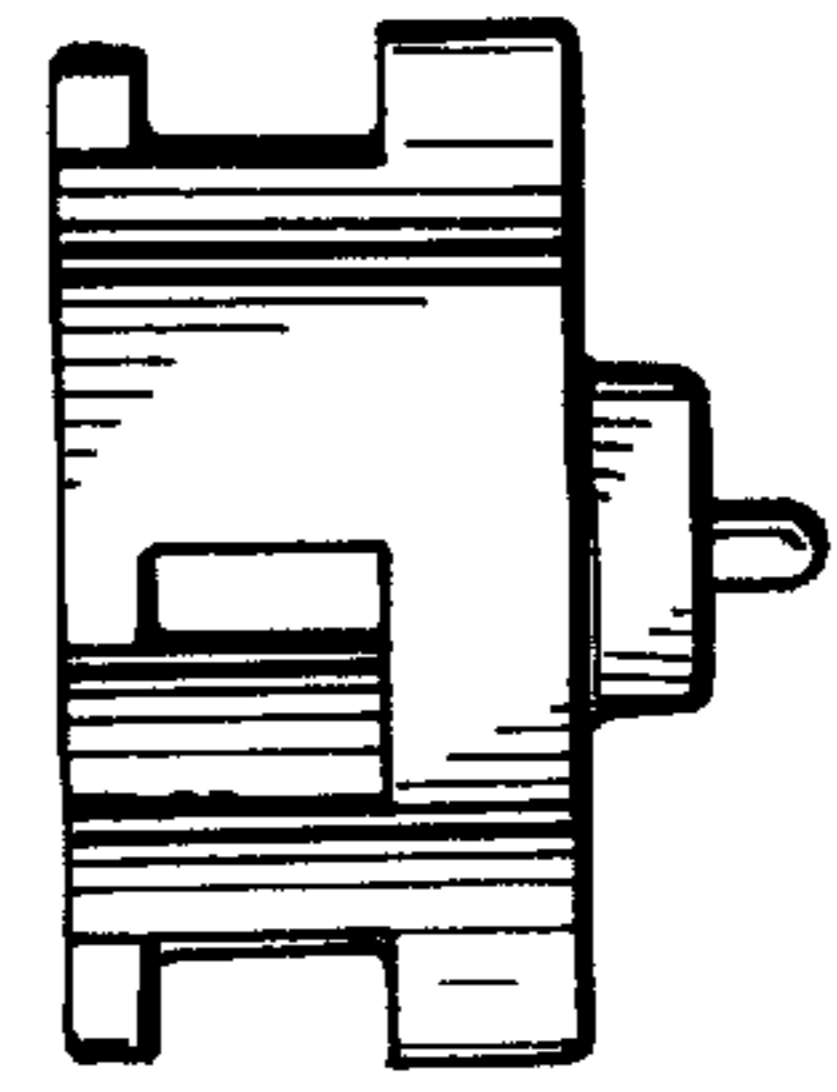


FIG.1

