

[54] COMBINED DOOR CHECK AND HOOK

[75] Inventor: Kazuo Iseki, Tokyo, Japan

[73] Assignee: Ohta Company Limited, Tokyo, Japan

[\*\*] Term: 14 Years

[21] Appl. No.: 919,515

[22] Filed: Jun. 27, 1978

[51] Int. Cl. .... D8-07  
[52] U.S. Cl. .... D8/331; D8/330  
[58] Field of Search ..... D8/330, 331, 400, 402; 292/DIG. 49, 79

[56] References Cited

U.S. PATENT DOCUMENTS

1,586,836 6/1926 Parsons ..... 292/79

FOREIGN PATENT DOCUMENTS

442795 2/1936 United Kingdom ..... 292/79  
644401 10/1950 United Kingdom ..... 292/79

Primary Examiner—Sam Rosen  
Attorney, Agent, or Firm—John C. Smith, Jr.

[57] CLAIM

The ornamental design for a combined door check and hook, as shown and described.

DESCRIPTION

FIG. 1 is a left side view of a combined door check and hook according to my new design, the door check being mounted on a door and the hook being mounted on a jamb, the view showing the door closed by the door check;

FIG. 2 is a left side view of said combined door check and hook mounted on the door and jamb, respectively, the view showing the door about to be closed by the door check;

FIG. 3 is a front view of said door check;

FIG. 4 is a rear view of said door check;

FIG. 5 is a left side view of said door check;

FIG. 6 is a right side view of said door check;

FIG. 7 is a top view of said door check;

FIG. 8 is a bottom view of said door check;

FIG. 9 is a top view of said hook used with said door check;

FIG. 10 is a bottom view of said hook;

FIG. 11 is a left side view of said hook;

FIG. 12 is a front view of said hook; and

FIG. 13 is a rear view of said hook.

The hook is omitted from FIGS. 3-8, and the door check is omitted from FIG. 9-13 for convenience of illustration.

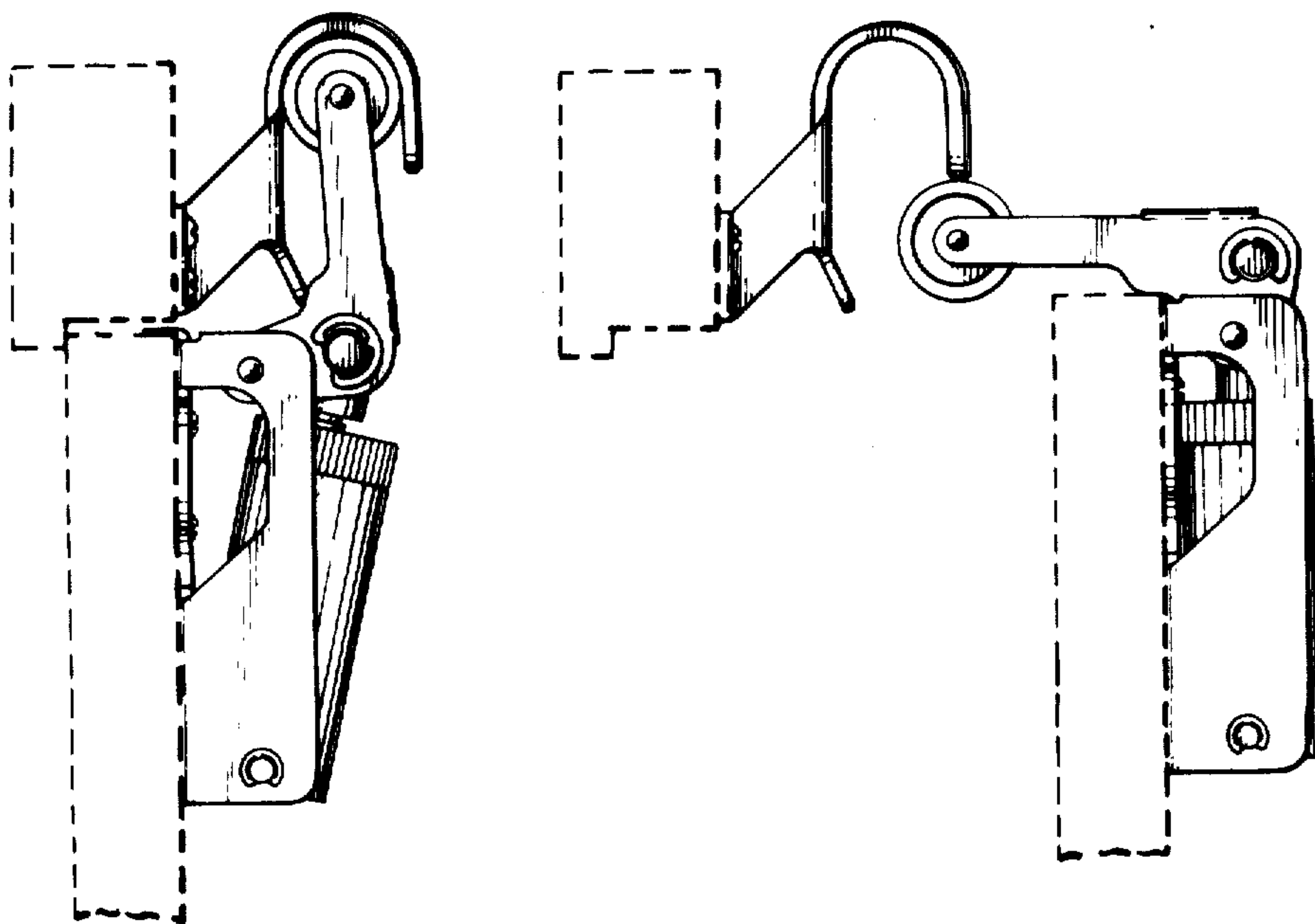


FIG. 2

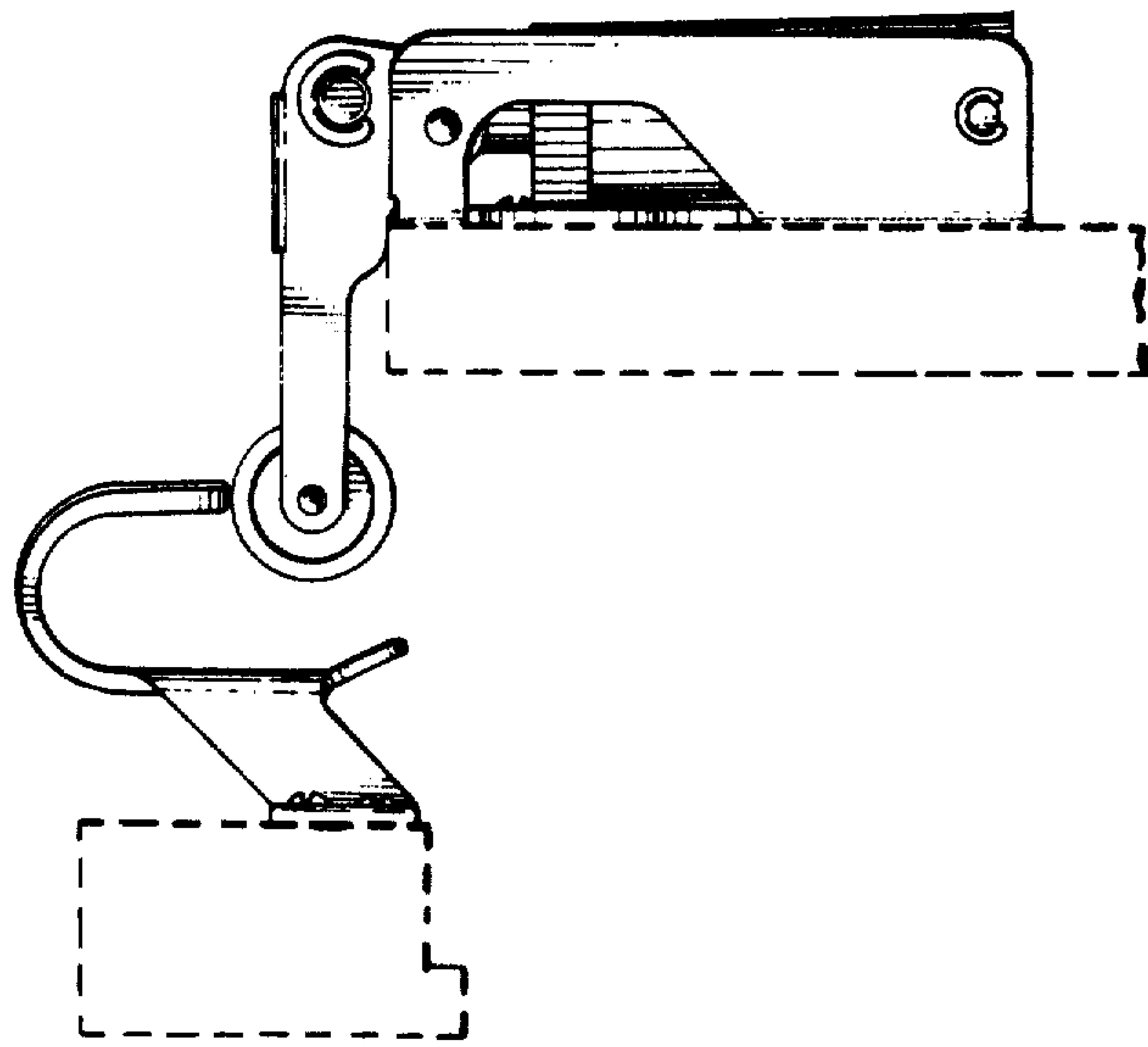


FIG. 1

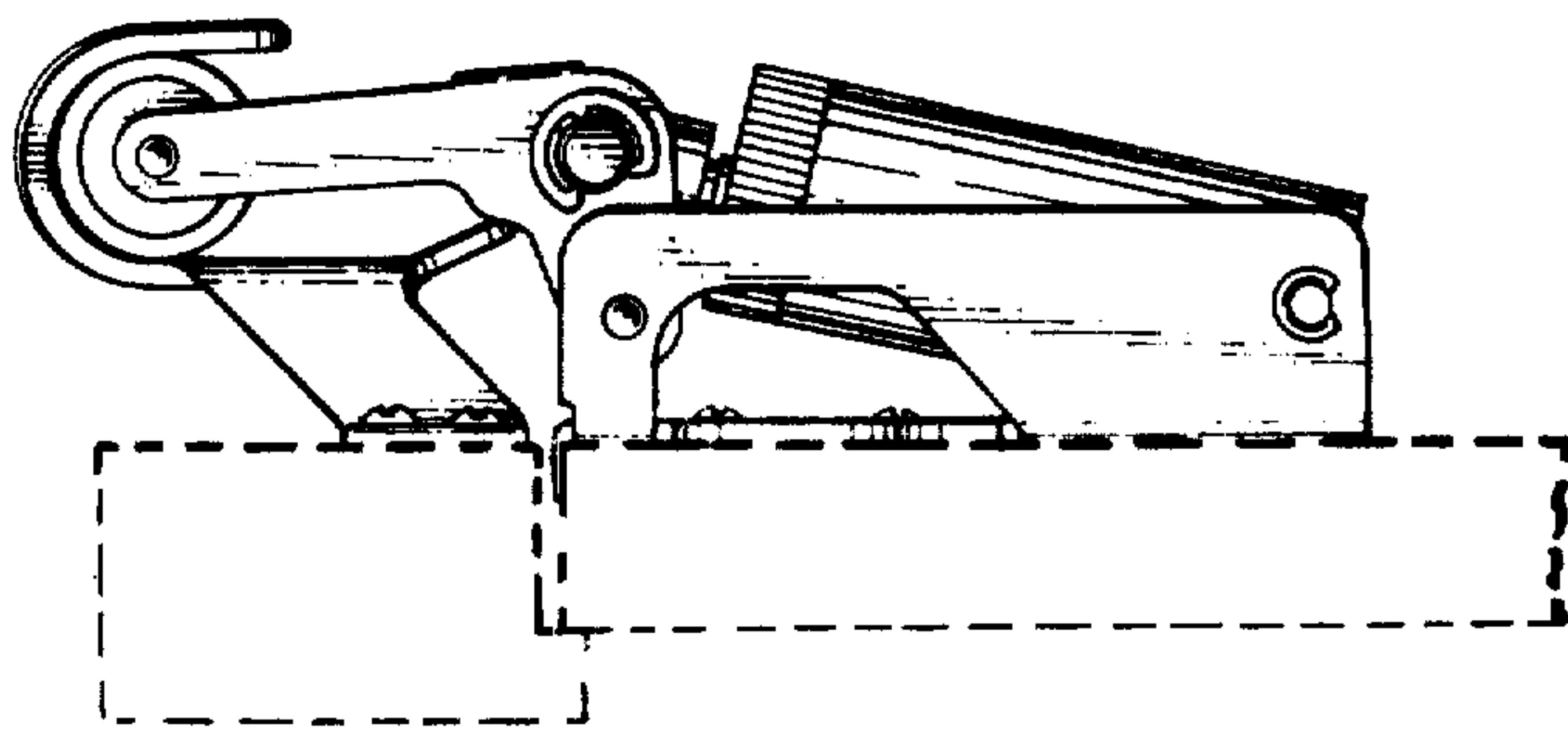


FIG. 3

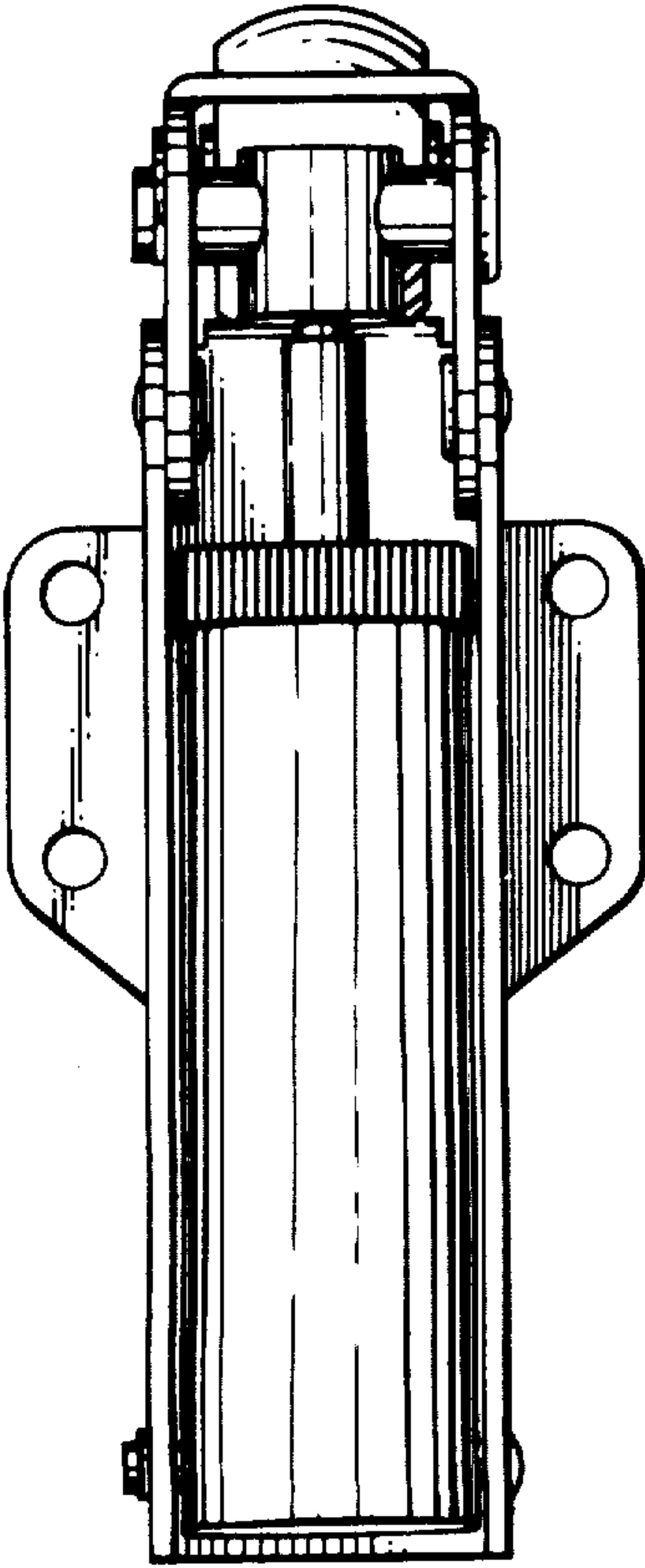


FIG. 4

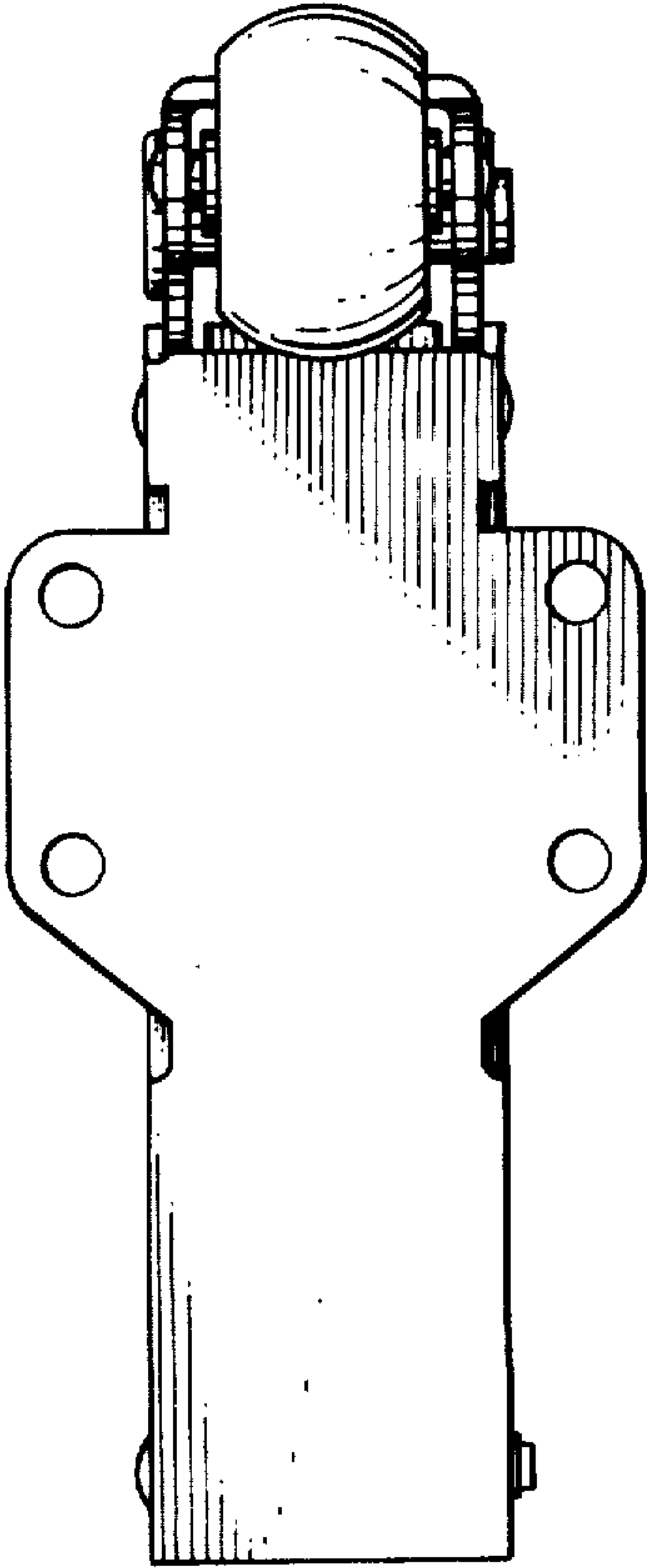


FIG. 6

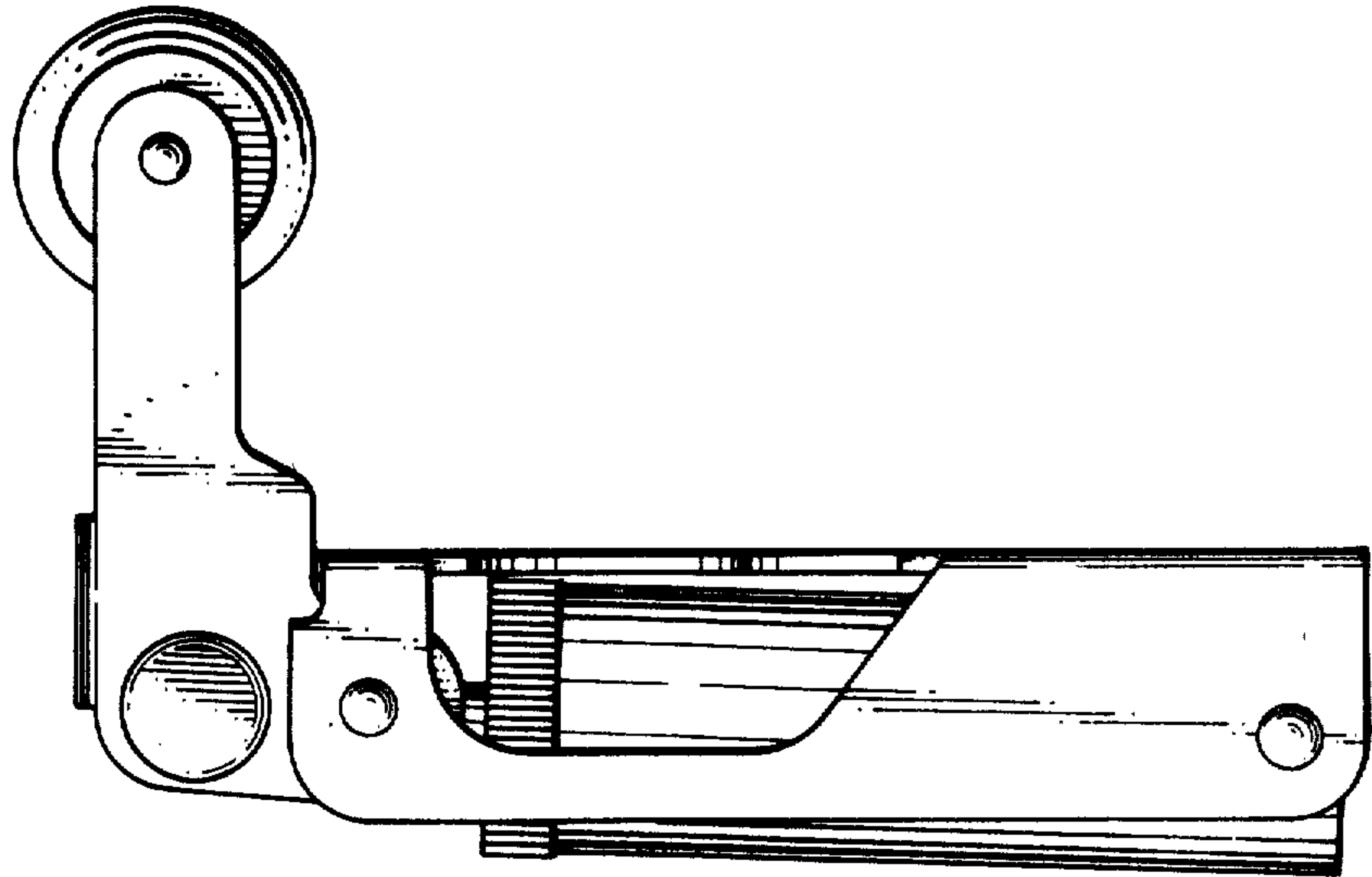


FIG. 5

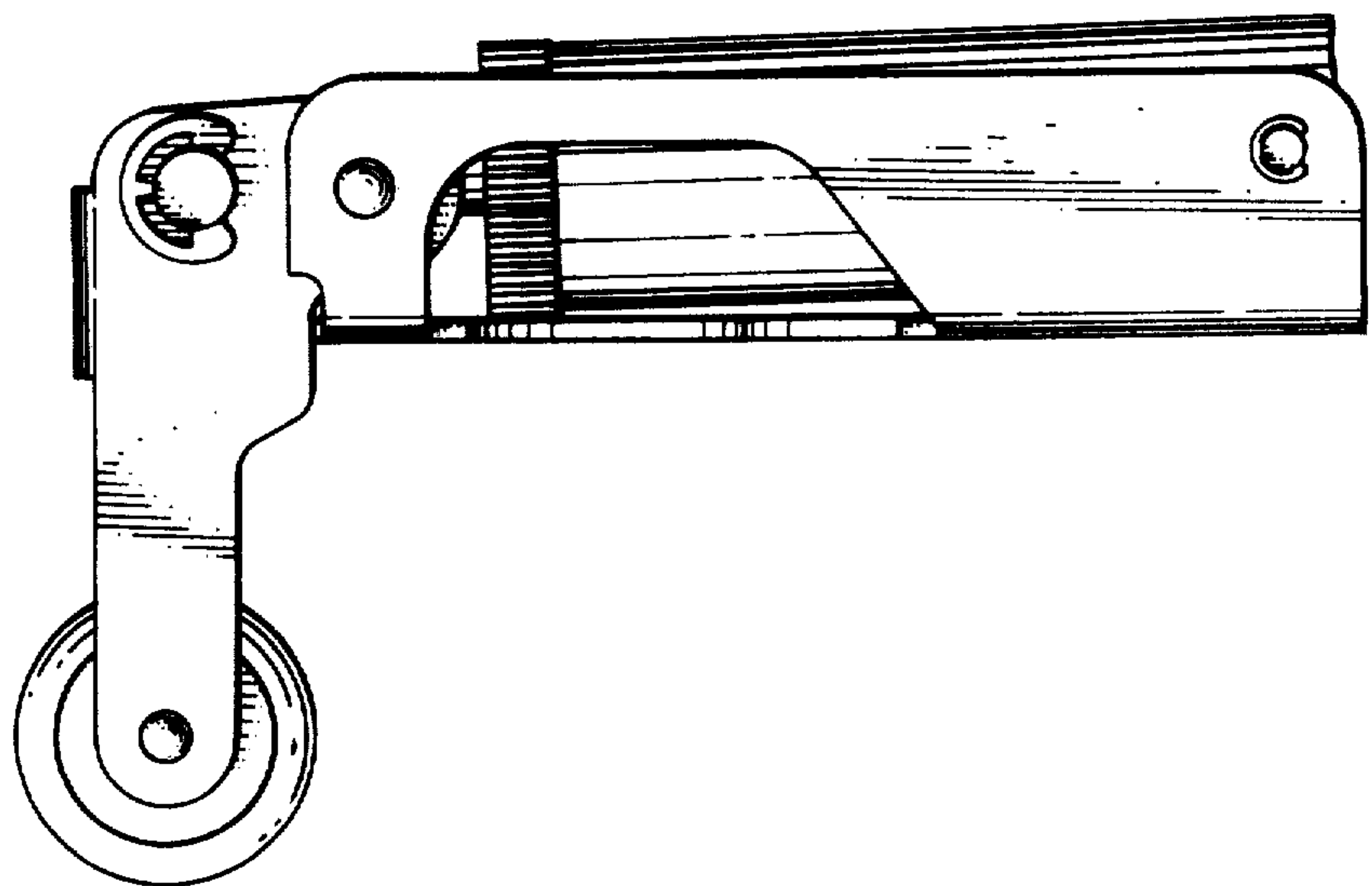


FIG. 9

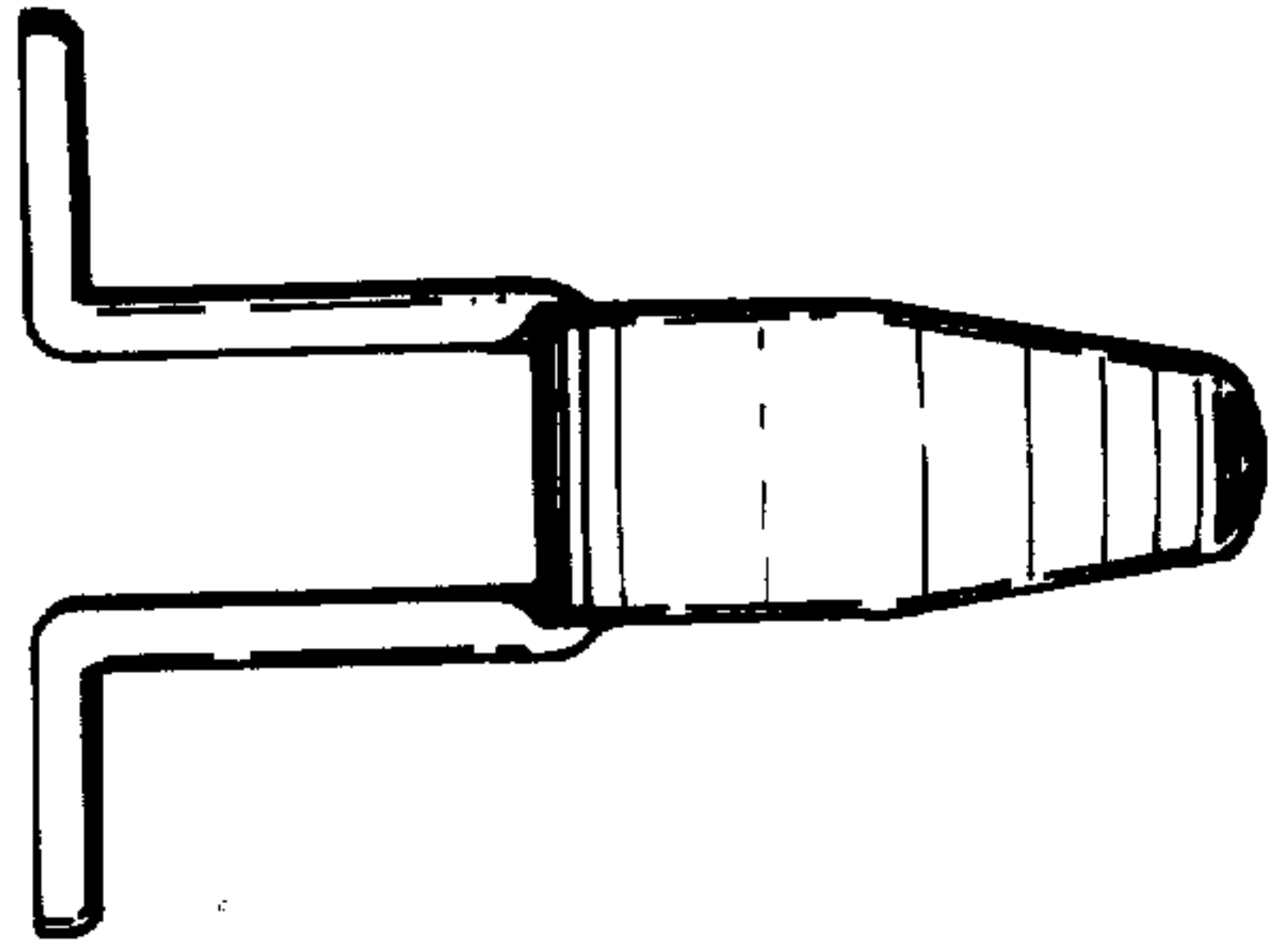


FIG. 10

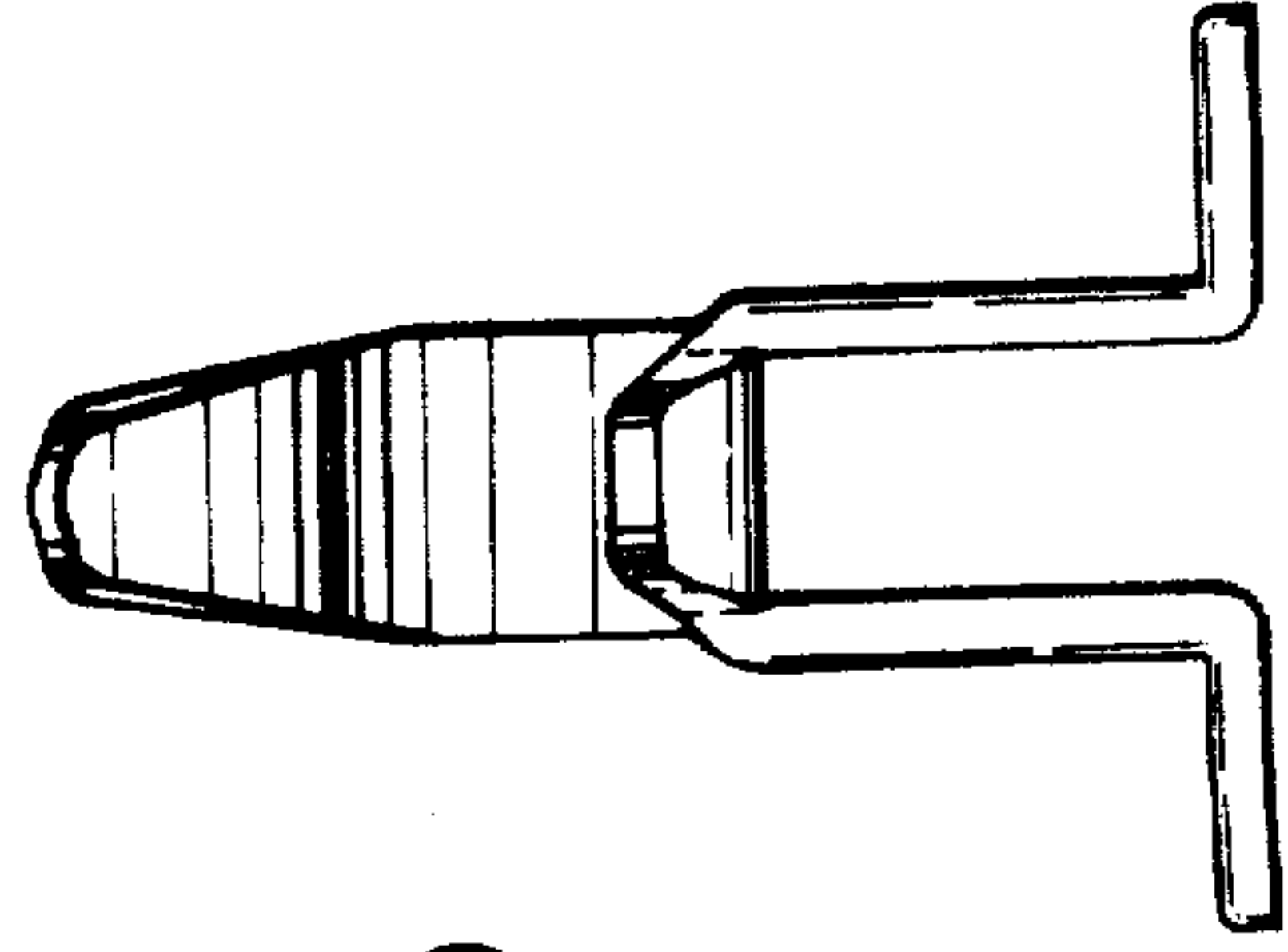


FIG. 8

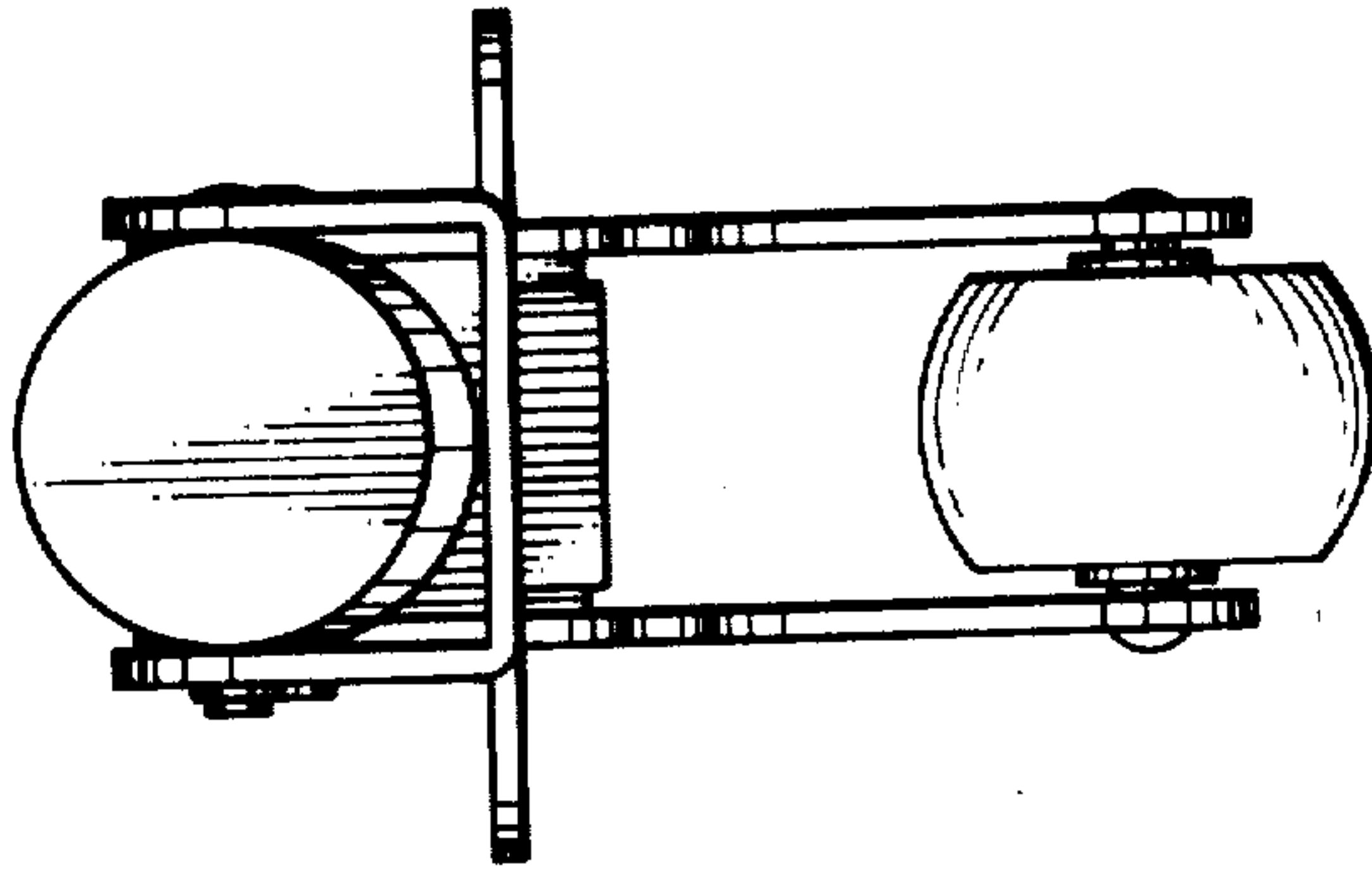
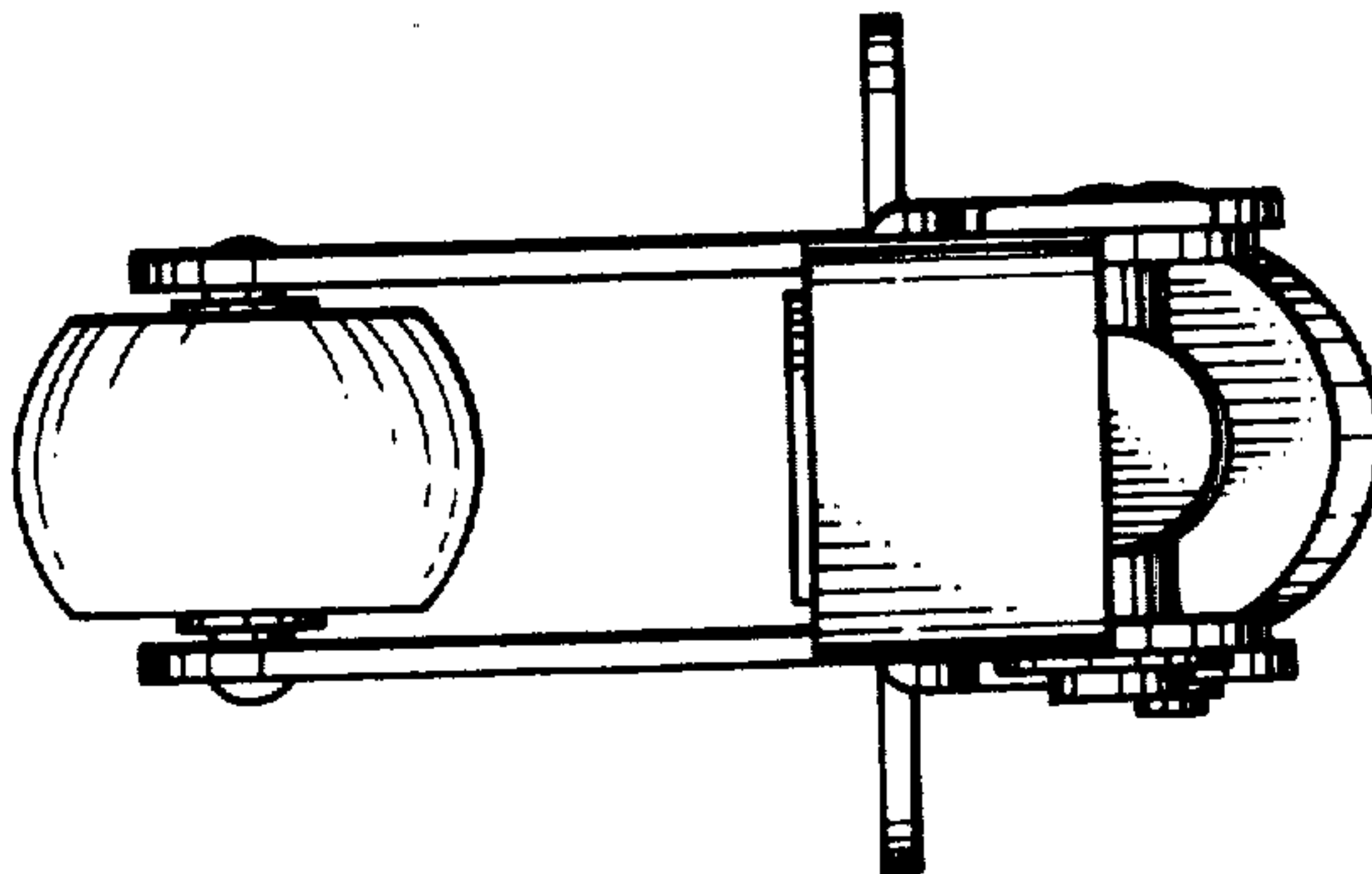


FIG. 7



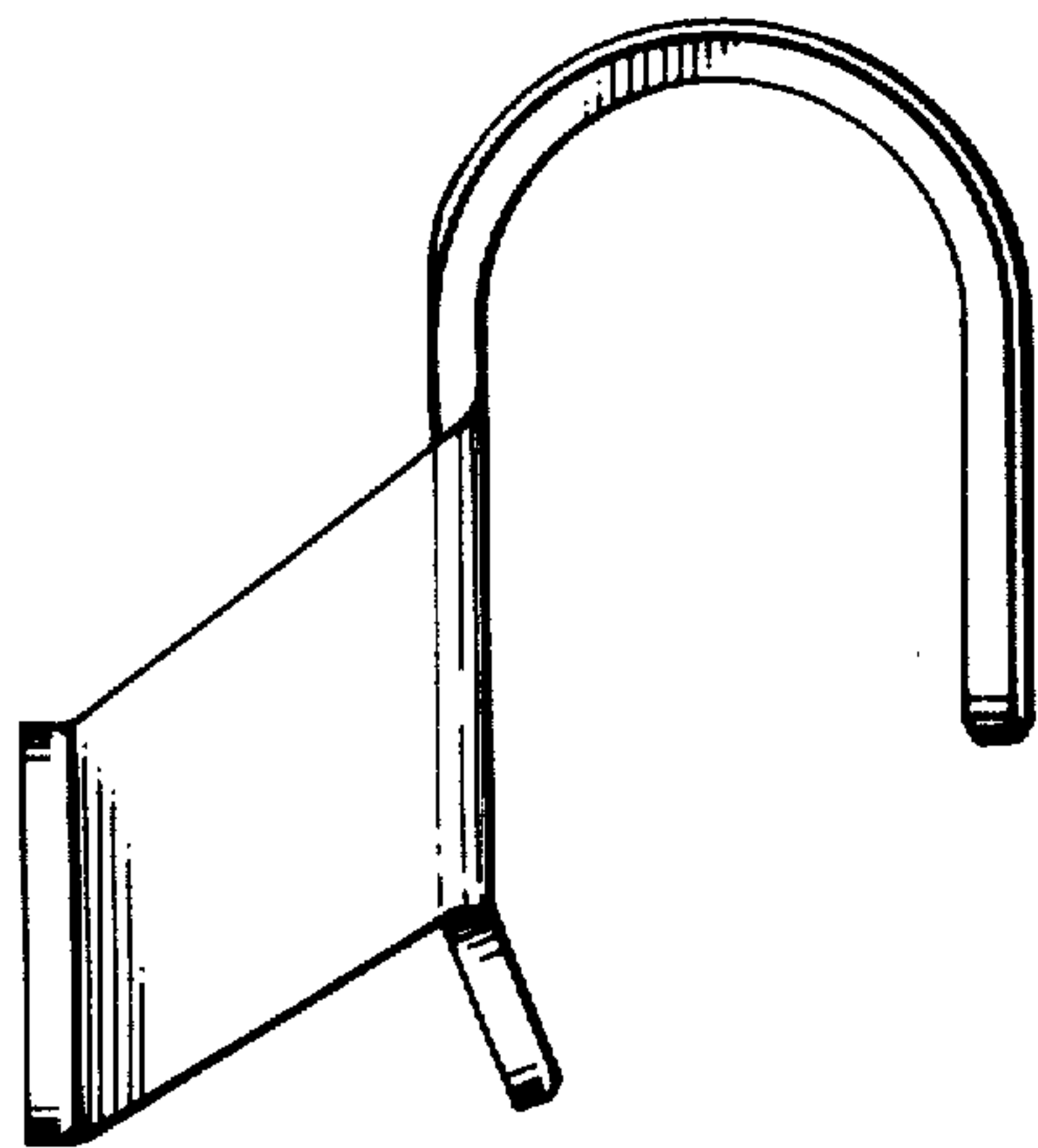


FIG. 11

FIG. 12

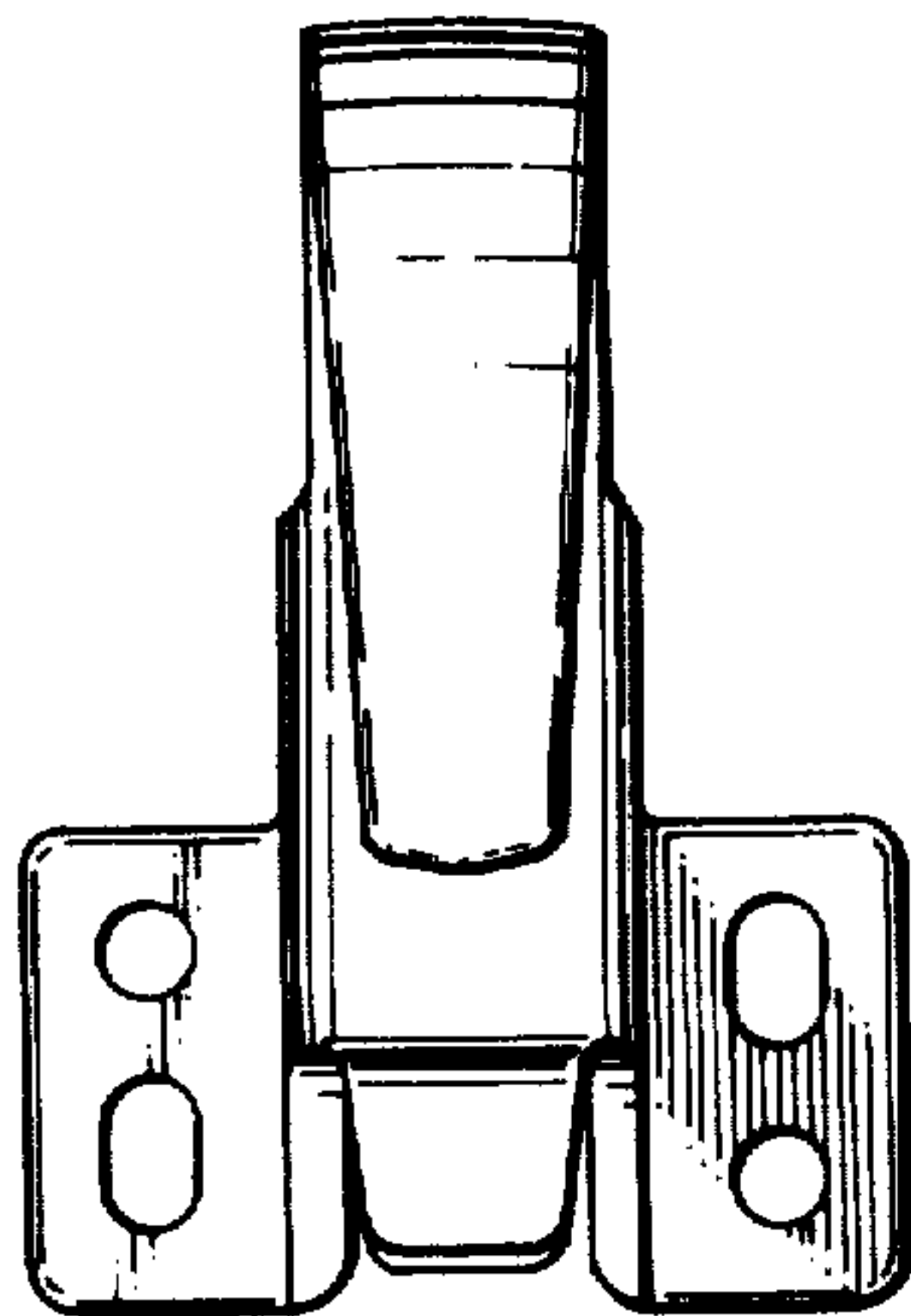


FIG. 13

